



LESLIE'S PRO

THE NATIONWIDE LEADER FOR CLEAN, SAFE, AND BEAUTIFUL WATER.



2023 CATALOG



Commercial Service Centers

Find your nearest store at www.lesliespool.com/stores.htm LesliesPool.com/stores.htm

Leslie's offers a nationwide solution for maintaining clean, safe, and beautiful water. Our trusted certified technicians will partner with you to understand your business and provide consultative services to help care for your water needs.

We have local Commercial Service Center teams to provide water-treatment advice, an extensive product mix specific to installation and treatment of commercial water, and equipment services.

For help with answers ranging from water and education questions to local code and chemical supply or costs, and everything in between, Leslie's Commercial Service Centers can help.

Click here to **Connect with your Account Manager**

YouTube
VISIT OUR YOUTUBE CHANNEL @LesliesPoolCare

- Expert advice
- How-to pool
- Leslie's Q&A
- Tips & tricks
- and more!

ARIZONA

Phoenix	store3000@leslstores.com	602.438.2666
Tucson	store3017@leslstores.com	520.887.5446

CALIFORNIA

Anaheim	store3009@leslstores.com	714.578.0631
Ontario	store3016@leslstores.com	909.390.7767
Palm Springs	store3020@leslstores.com	760.325.2115
Sacramento	store3010@leslstores.com	916.564.4277
San Diego	store3015@leslstores.com	858.202.0257

NEVADA

Las Vegas	store3001@leslstores.com	702.387.9333
-----------	--	--------------

TEXAS

Arlington	store3008@leslstores.com	817.652.7406
Dallas	store3003@leslstores.com	214.553.0384
N. Houston	store3014@leslstores.com	281.821.9501
S. Houston	store3004@leslstores.com	832.251.8503
San Antonio	store3012@leslstores.com	210.651.1500

GEORGIA

Atlanta	store3007@leslstores.com	770.409.2053
---------	--	--------------

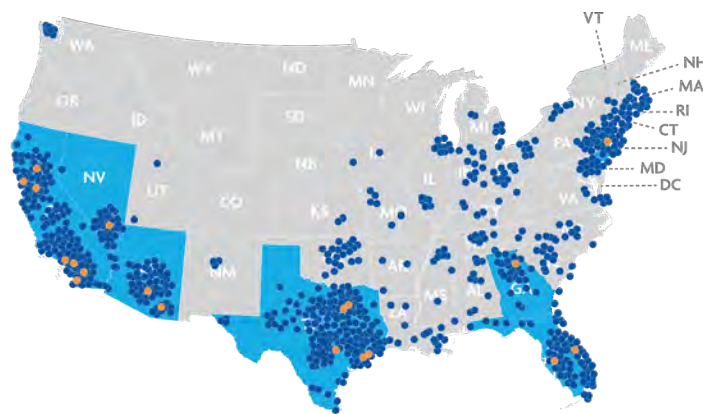
NEW JERSEY

Swedesboro	store3018@leslstores.com	856.467.7922
------------	--	--------------

FLORIDA

Orlando	store3002@leslstores.com	407.438.2051
Tampa	store3021@leslstores.com	813.884.0500

We're the Nation's Largest Service and Installation Team



Leslie's Pro – Commercial Map

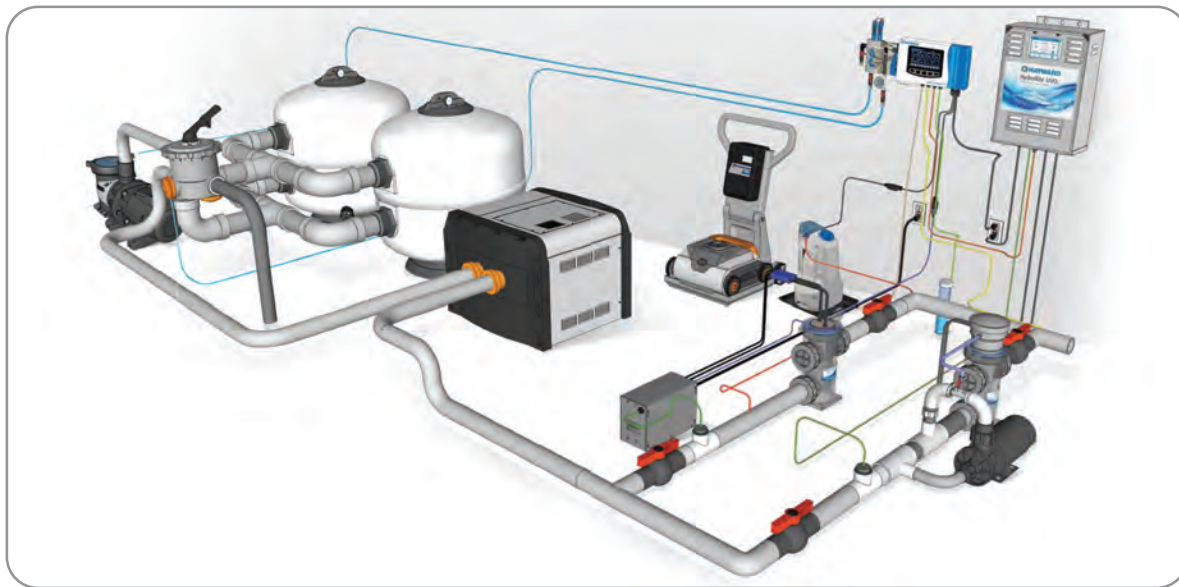
Table of Contents

CSC & STORE LOCATIONS		CHEMICALS		MISCELLANEOUS PARTS	
CSC & Store Locations.....	2	Sanitizers		Miscellaneous Parts.....	95-98
EQUIPMENT		TriChlor.....	78	Skimmers.....	96
Automation.....	4-10	Bromine.....	79	Pool & Deck Paint.....	97-98
Peristaltic Pumps.....	11-13	Calcium Hypochlorite.....	80	Spa Maintenance.....	99-100
Containment Tank Systems.....	14	Sodium Hypochlorite.....	81	SAFETY	
Secondary Sanitizers.....	15-16	Water Balancing Chemicals		Lifeguard Chairs/Platforms.....	101
Chemical Feeders.....	17-18	Soda Ash.....	81	Signs & Depth Markers.....	102-103
Salt Solutions.....	19-20	Sodium Bicarbonate.....	81	Safety & Rescue Equipment.....	104
Pumps & Pump Parts.....	21-30	Sodium Sulfate.....	81	Depth Markers.....	105
Variable Frequency Drive.....	31	Muriatic Acid.....	81	Anti-Entrapment Drain Covers.....	106
Filters & Filter Parts.....	32-38	Calcium Chloride.....	81	Miscellaneous Safety.....	107
Flowmeters.....	39	Cyanuric Acid.....	81	POOL ACCESS EQUIPMENT (ADA)	
Valves.....	40-41	Specialty Chemicals		ADA Pool Lifts.....	108-111
Heaters.....	42-44	Water Clarifier.....	82	ADA Pool Access Chairs.....	112
Heat Pumps.....	45	Stain & Scale Preventer.....	82	COVERS	
CLEANING EQUIPMENT		SeaKlear.....	82	Solar Products & Accessories.....	113
Robotic Cleaners.....	46-49	Natural Chemistry.....	83	Safety Covers.....	114
Portable Pool Cleaners & Vacuums.....	50	Algae Removers.....	84	Thermal Covers.....	115
Vacuum Hoses/Heads.....	51	Maytronics Specialty Chemicals.....	85	LADDERS & RAILS	
Brushes/Skimmer/Rakes/Poles.....	52	TESTING KITS & REAGENTS		Handrails.....	116
Cleaning Accessories.....	53	Taylor Test Kits & Reagents.....	86-87	Ladders.....	117
FURNITURE		Lamotte Test Kits & Reagents.....	88-91	RECREATION	
All Furniture.....	54-77	Leslie's Pool & Spa Strips.....	90	Lane Lines & Storage Reels.....	118-119
Chairs.....	54-75	LIGHTING		Diving Platforms & Boards.....	120
Lounges.....	55-70	LED Pool Lights.....	92-94	Starting Platforms.....	121
Collections.....	67-72	PARTS		Pool Sports.....	122
Benches.....	68, 72	Parts Table of Contents.....		Foam Floats.....	123
Tables.....	75	Parts.....		125-215	
Umbrellas.....	76-77				



Small Mechanical Room

Complete System Solutions



CAT 6000 Wireless Water Chemistry Controller

WITH TRUE FREE CHLORINE MONITORING

Built with a low-maintenance true free chlorine sensor, solid-state sensing technology and Dynamic Sanitizer Control



HydroRite UVO₃ Advanced Water Treatment System

ELIMINATE 99.9% OF BACTERIA FOR 100% PEACE OF MIND

Utilizing UV, Ozone and Advanced Oxidants to drastically reduce the threat of deadly recreational waterborne illnesses



HCP 3000 Series Pumps

Engineered for heavy-duty durability, they set a new flow rate standard for the 3" union class. A variety of power options from 2 to 7 HP, including single- or 3-phase and single or variable speed



Filter Accessories

HCF Series Sand Filters can be installed individually or configured in multi-filter banks to suit the filtration requirements of any swimming pool or spa. Hayward Multiport Valves simplify installation and operation and are engineered for maximum flow and minimal pressure drop. The six-position valves facilitate selection of filter, backwash, waste, rinse, closed or recirculate modes at the turn of a single lever.



Saline C Series

The new Saline C 11.0 model is capable of generating 11 lbs of chlorine per day, complementing the current Saline C 6.0, which is capable of generating 6 lbs per day



HCF Series Sand Filters

Designed to improve filtration and lengthen filter cycles, they also include a UV-protected gel coat that shields the filter against the elements, as well as algae blooms



Universal H-Series Gas Heaters

The flagship of our H-Series line encompasses high-end features and construction materials as standard. They combine industry-leading hydraulics, exceptional performance, energy efficiency and reliability with NOx emissions.

BEST IN CLASS CHEMICAL AUTOMATION.

PACKAGE A - LIQUID



HCC 4000 PH & ORP CONTROLLER (WI-FI®)
SKU# 959665

- » Wireless transmits an infinite amount of chemical readings to the Hayward PoolComm® app - Bi-directional
- » Internally stores and displays daily average up to 10 days (Title 22 Compliant) NSF/ANSI Standard 50 Certified
- » Completely assembled, including sensors & an in-line filter
- » Calculates derived free chlorine (PPM)
- » Gold tips mean less electronic noise and less sensitivity to chemical bounce



**FIXED 50GPD PERISTALTIC PUMP (1)
LIQUID CHLORINE PUMP (1) LIQUID
MURIATIC ACID PUMP**
SKU# 955650



PACKAGE B - LIQUID & CAL HYPO FEEDER

**HCC 4000 PH & ORP CONTROLLER
(WI-FI®)**
SKU# 959665



**FIXED 50GPD PERISTALTIC PUMP (1)
LIQUID CHLORINE PUMP (1) LIQUID
MURIATIC ACID PUMP**
SKU# 955650



CAL HYPO TAB FEEDER
CCH® ENDURANCE (SKU# 540031) *OR*
CCH® ELITE (SKU# 952884)



UPGRADE SOLUTIONS

**HYDRORITE® UV, OZONE,
AND HYDROXYL RADICALS**
SKU# 404737

- » Reduces irritating chloramines significantly, improving indoor air quality and enhancing swimmer experience
- » Versatile vessel allows for vertical or horizontal in-line installation



**TRISTAR® 2500
ULTRA-HIGH
EFFICIENCY
2.7 HP PUMP**
SKU# 340138



- » Totally Enclosed Fan Cooled Motor (TEFC)
- » Digital control interface can be detached, & wall mounted
- » Dual-voltage capability (115V/230V) offers more versatility for installation

**SALINE C 6.0
CHLORINE
GENERATOR**
SKU# 81519



- » Produces 6lbs. of Chlorine per day
- » Plug N' Play compact design, single cell & power supply
- » Industrial-grade, clear vessel inspection, self-cleaning technology

**CRYSTALOGIC® WHITE LED
BULB, 120V, 300-500W
EQUIVALENT**
SKU# 958265



- » Saves 86% more energy than an incandescent bulb
- » Longer-lasting, 10X the life of a typical incandescent bulb
- » R40 LED bulb replaces any 500W incandescent bulb for an easy, energy-efficient upgrade

**CAT CONTROLLERS®
PH & ORP SENSORS,
24 IN CABLE**
PH (SKU# 369786) *OR*
ORP (SKU# 81580)



- » Compatible with virtually all chemical controllers as a system upgrade
- » Superior protection against infusion & diffusion
- » Low maintenance Porous Teflon® fluid junction
- » Poly-Pro solid polymer technology

**ACID & LIQUID CHLORINE
FEED SYSTEMS**
ACID (SKU# 368615) *OR*
CHLORINE (SKU# 368365)



- » Large Capacity 15-gallon tank and 31 gallons per day peristaltic pump capable of automatically dispensing acid (for pH control) or liquid chlorine (for sanitization) can be used with Hayward Commercial HCC Controllers

WANT TO LEARN MORE? Email commercial@lesl.com to be connected with your local resource or contact one of our representatives for more information.

Hayward, Hayward & Design, the H logo, CAT Controllers, CrystaLogic, HydroRite, PoolComm and TriStar are registered trademarks of Hayward Industries, Inc. ENERGY STAR is a registered mark owned by the U.S. government. CCH® and CCH® Logos are trademarks of Innovative Water Care, LLC or its affiliates. All other trademarks not owned by Hayward are the property of their respective owners. Hayward is not in any way affiliated with or endorsed by those third parties.
© 2023 Hayward Industries, Inc.



[Click here to Connect with your Account Manager](#)

Total System Access From Absolutely Anywhere

Take the power of CAT 6000 wherever you go with the innovative PoolComm® app. Whether you're managing a single spa or multiple commercial pools, PoolComm lets you view water quality data, print charts, analyze graphs—even receive alarms via email or text from any iPhone®, Android™ or other web-enabled smart device.



CAT Controller Model Guide

	CAT 2000®	CAT 2000® (PP2000)	CAT 3500®	CAT 4000®	CAT 5000®	CAT 5500®	CAT 6000®	
Monitoring and Controls	pH	•	•	•	•	•	•	
	ORP	•	•	•	•	•	•	
	Temp			•	•	•	•	
	Water Level			•	•	•	•	
	Tank Level			•	•	•	•	
	Digital Flow			•	•	•	•	
	Total Dissolved Solids			•			•	
	NaCl (Salt)			•			•	
	Backup Sanitization			•	•	•	•	
	Auxiliary Relays			1	1	2	2	2
Features and Capabilities	PVC Backboard		•	•	•	•		
	Flow Cell/Flow Sensor		•	•	•	•	•	
	Installation Kit ¹		•	•	•	•	•	
	Wireless, Web-based Communications ²				Wi-Fi and Cellular	Wi-Fi Cellular and Satellite	Wi-Fi Cellular and Satellite	Wi-Fi and Cellular
	Gold ORP Sensor (for Salt Chlorination) ³	Optional	Optional	•	Optional	Optional	•	•
	Machined Flow Cell & Rotary Flow Sensor ⁴	Optional	•	Optional	Optional	Optional	Optional	•

¹ Installation kit includes two quick connect fittings and 30' of 3/8" OD poly tubing.

² Specify transceiver type when ordering.

³ Specify -AU option for Gold ORP Sensor.

⁴ Specify -075 option for Machined Acrylic Flow Cell with Rotary Flow Sensor.

Part Numbers	Description	Part Numbers	Description
CAT2000 - 360540	CAT 2000® Standard Package*	CATPP5000WIFI	CAT 5000 Professional Package** with Temp. – Wi-Fi
CATPP2000 - 81504	CAT 2000 Professional Package***	CATPP5000CELL	CAT 5000 Professional Package** with Temp. – Cell
CATPP35000	CAT 3500® Professional Package** with Temp/Cond/NaCl Display	CATPP5000SAT	CAT 5000 Professional Package** with Temp. – Satellite
CATPP5500WIFI - 379244	CAT 5500® Professional Package** with Temp/TDS/NaCl Display - Wi-Fi	CATPP5000WIFIUL - 958527	CAT 5000 Standard Package* with Temp. – Wi-Fi and UL Listed – No Power Cords
CATPP55000CELL	CAT 5500 Professional Package** with Temp/TDS/NaCl Display - Cell	CAT-5000-CELLUL	CAT 5000 Standard Package* with Temp. – Cell and UL Listed – No Power Cords
CAT4000-WIFI - 81480	CAT 4000® Standard Package* with Wi-Fi	CAT5000SATUL	CAT 5000 Standard Package* with Temp. – Satellite and UL Listed – No Power Cords
CAT4000-CELL - 81481	CAT 4000 Standard Package* with Cell	CATPP5000WIFIUL	CAT 5000 Professional Package** with Temp. – Wi-Fi and UL Listed – No Power Cords
CATPP4000WIFI - 956051	CAT 4000 Professional Package** with Wi-Fi	CATPP5000CELLUL	CAT 5000 Professional Package** with Temp. – Wi-Fi and UL Listed – No Power Cords
CATPP40000CELL	CAT 4000 Professional Package** with Cell	CATPP5000SATUL	CAT 5000 Professional Package** with Temp. – Wi-Fi and UL Listed – No Power Cords
CAT-5000-WIFI - 903448	CAT 5000® Standard Package* with Temp. – Wi-Fi	CATPP5500WIFI - 379244	CAT 5500® Professional Package** with Temp/TDS/NaCl Display - Wi-Fi
CAT-5000-CELL	CAT 5000 Standard Package* with Temp. – Cell	CATPP55000CELL	CAT 5500 Professional Package** with Temp/TDS/NaCl Display - Cell
CAT5000SAT	CAT 5000 Standard Package* with Temp. – Satellite	CATPP6000WIFICF - 958413	CAT 6000™ with Free Chlorine Sensor, Temp, Cond, NaCl, Wi-Fi, Machined Flow Cell & RFS

*Standard Package includes Molded Flow Cell and float-Style Flow Sensor **Professional Package includes Machined Acrylic flow Cell and Rotary Flow Sensor SKU 98189 Air Time (Optional) Per Month



CAT Controller – 2000

Constantly monitors pH and sanitizer activity (chlorine, bromine, even salt systems) and automatically implements chemical feeding in proportion to demand for picture-perfect water quality at all times.

- Digital, microprocessor-based design with flash technology
- Advanced Control Features including proportional feed
- Weatherproof membrane switch front panel interface
- All factory settings are permanently stored in memory
- Simple installation, setup & operation
- Compatible with all types of chemical feed equipment
- Dry-contact outputs provided for salt-chlorine systems
- 5-year limited warranty on controller; 2-year limited warranty on sensors



CAT Controller – 3500

TDS and Salt monitoring. The controller is equipped with state-of-the-art sensing and control capabilities tailored specifically for salt chlorine applications. Powerful and intuitive, these new models offer the utmost in convenience in pH, ORP, conductivity/NaCl, backup sanitization & temperature. Features wireless Wi-Fi communications.

- Dual sanitizer set points for back-up ORP control; temperature sensor for heater control
- Auxiliary relay for control versatility
- Comes with professional Series pH, ORP and Conductivity sensors for unsurpassed performance
- Perfect complement to Saline C Series Salt Chlorine Generators
- 5-year limited warranty on controller; 2-year warranty on sensors



CAT Controller – 4000

Wireless commercial remote water quality controller. The controller provides picture-perfect water quality on-site & remote monitoring via the Internet or web-enabled mobile device. You can easily log onto PoolComm to activate your wireless account and begin monitoring your water quality. You can view water quality data, print charts, analyze graphs, customize your settings and receive notifications via email or SMS.

- Wireless Wi-Fi communications
- Automatic data logging, remote adjustments & alarms via web interface
- Includes microprocessor based pH/ORP controller, heavy duty 2 year sensors, flow cell with fail safe Rotary flow sensor pre mounted on PVC



CAT Controller – 5000

The CAT 5000 is the world's first wireless, internet based water quality controller employing both satellite and terrestrial communications to provide worldwide coverage.

- State-of-the-art micro-processor based technology with integrated Wi-Fi communications. (Additional fee required—Air time fee per month)
- Eliminates the cost of installing and maintaining dedicated analog telephone lines
- 4 different wireless communication protocols ranging from Wi-Fi®, Reflex, Cellular to Satellite
- You can monitor & maintain via web from any internet-enabled computer, mobile device, or PoolComm App for iPhone® & Android®



CAT Controller – 5500

Discover the latest in powerful water chemistry controllers complete with TDS and Salt monitoring. Wireless, communicating controller are equipped with state-of-the-art sensing and control capabilities tailored specifically for salt chlorine applications. Powerful and intuitive, these new models offer the utmost in convenience in pH, ORP, conductivity/NaCl, backup sanitization and internet-based monitoring.

- pH and ORP controller with conductivity/NaCl monitoring
- Dual sanitizer set points for back-up ORP control; temperature sensor for heater control
- Perfect complement to Saline C® 6.0 Salt Chlorine Generator
- 5-year limited warranty on controller; 2-year warranty on sensors



Cat Controller - 6000

Built with a low-maintenance true free chlorine sensor, solid-state sensing technology and Dynamic Sanitizer Control, CAT 6000 is designed to provide effortlessly precise water chemistry readouts you can trust.

- Dynamic Sanitizer Control fine tunes water chemistry like never before
- Solid-state sensing technology* offers unmatched reliability and accuracy (PPM, TEMP, and COND sensors only)
- Low-maintenance true free chlorine sensor provides an added level of confidence
- Intuitive full-color touchscreen interface makes operation simple & straightforward
- Audit and monitor energy consumption data to maximize efficiency
- Built-in Wi-Fi and cellular connectivity** provide remote system access from anywhere
- ANSI Standard 50 Certified



HCC 2000 Controller

Perfect for swimming pools, spas, and water features, the HCC 2000 is a powerful yet affordable microprocessor-based pH and ORP water chemistry controller. The controller features proportional feed to ensure precise water chemistry maintenance, and operates using the Oxidation-Reduction Potential (ORP) method of water analysis to ensure rapid deactivation of such waterborne pathogens as E. coli in swimming pool water.

- Comes with chemical feed equipment compatible with all existing chemical feed systems; chlorine, bromine, electronic chlorine (salt) generators, acid and CO2
- Complete package offers a total chemical automation system for easy installation and ultimate convenience
- 1-year limited warranty on controller and factory labor

HCC 2000 Water Chemistry Controller
HCC 200-CP Complete Water Chemistry Controller Package



HCC 1000 pH Controller

The HCC 1000 is a single channel pH water chemistry controller that provides powerful technology in a simple, affordable package.

- Perfect for new and existing applications, especially saltwater pools
- Automation eliminates time and risks of making manual pH measurements and adjustments
- Proper pH maintenance enhances chlorine effectiveness, bather comfort and safety
- 1-year limited warranty on controller and factory labor

S/O HCC 1000 pH Controller With Pre-Mounted Chemical Feed Pumps
HCC1000 Automated pHController
HCC100-CP HaCC 100 Water Chemistry Controller Package

CAT Controller – Probes

- 81580 ORP Probe 24" Cable
- 81576 pH Probe 24" Cable
- 81578 ORP Probe Gold 24" Cable

IPS CONTROLLERS



Automated pH with Dual ORP Controller Free Web-based Monitoring Logs & Displays FAC (PPM)
920CA - 386323, 920CA WiFi - 954072
920LCA -386325, 920L CA WiFi - 954073



Automated pH with Dual ORP Controller Free Web-based Monitoring
M920 - 905721, M920 WiFi - 953022
M920L - 386324, M920L WiFi - 954073



Automated pH Controller
M770 - 952247
M770L - 952248



Automated pH with Dual ORP Controller
M820 - 386327
M820L - 957202



Automated pH with ORP Controller
M790 - 95163
M790L - 954748

An IPS Controller is made of the following four key components and is delivered along with an in-line filter, 25 feet of tubing and all items needed for installation:

- The flow cell captures a water sample for analysis
- Sensors analyze the pH and ORP in the flow cell
- The Controller receives information from the sensors and compares it to the programmed settings. If chemical adjustments are needed, the controller will signal the chemical pump, salt chlorine generator, or other feeding devices
- Our digital, LED display allows you to adjust values for dosing times, pH and ORP target levels, high/low alerts, and overfeed settings. It also displays the status of chemical control functions. Some models display temperature and emit external visual and audible alarms

Remote Monitoring

Remote Monitoring Website allows you to access from your smart phone or tablet

One or more users at the same time can make changes to programming parameters and other settings like timing for ORP and temperature readings

Remote Monitoring requires internet access and is a standard feature for the IPS-M920 and M920CA controllers. Optional upgrade available for the IPS-M820

Reliability, Guaranteed

All IPS controllers are backed by a 5-year limited warranty and any technical support or training you need

Product Specifications	M920 ^{CA}	M920	M820	M7901	M770
pH set level 7.0- 8.0	•	•	•	•	•
Default high/low alert settings	•		•	•	•
Readout – LED with digital display	•	•	•	•	•
Alarm – LED alert display	•	•	•	•	•
Push button high/low alert adjustment	•	•	•	•	•
Dose Rate – timed or continuous	•	•	•	•	•
Electrical Input/Output 110 VAC	•	•	•	•	•
System Pre mounted for easy install	•	•	•	•	•
Compatible with all sanitizing methods	•	•	•	•	•
Can be used with Muriatic Acid or CO ₂	•	•	•	•	•
ORP set level 400-900	•	•	•	•	•
Gold-tipped ORP probe for salt pools	•	•	•	•	•
Push button overfeed adjustment	•	•	•		
Electrical Input/Output 230 VAC	•	•	•		
Electrical Output 110V, 230V, & Dry Contact	•	•	•		
Delay time – 1-99 minutes	•	•	•		
Tank level inputs – 2	•	•	•		
Dual ORP, for secondary sanitizer	•	•	•		
Lock-out feature	•	•	•		
Web-based remote monitoring & programming	•	•	•		
Built-in WiFi (M920w)	•	•	Avail. Opt.		
Temperature monitoring and display	•	•	•		
FAC (PPM) storage & display (requires internet connection)	•				
Stores & displays Cyanuric Acid level	•				
External visual and audible alarm	Avail. Opt.	Avail. Opt.	Avail. Opt.		
Outdoor Weather Shield	Avail. Opt.	Avail. Opt.	Avail. Opt.	Avail. Opt.	Avail. Opt.

Temp Sensor - 380438
 pH Probe - 380437

ORP Probe - 959730





Digital pH/ORP Controller

Includes: Controller, flow cell with flow switch, probes, 3/8" tubing and fittings
MODEL RC554XP
324502



Digital pH/Dual ORP Controller

Includes: Controller, flow cell with flow switch, probes, 3/8" tubing and fittings
MODEL RC554XXP
381540

Model/Features	pHControl	ORP	Feed Cycle
Factory Setting	7.4	650 mV	.6 sec.
Display Range	6.8-8.2	0-995 mV	
Setpoint Range	7.0-8.0	400-900 mV	
Feed Cycles	.6 to 900 seconds w/5-min analyzation periods		
Power	120V corded		
Feed	Timed or Continuous		
Maximum Output	5 amps		

Model/Features	pH Control	ORP	ORP2	Feed Cycle
Factory Setting	7.4	650 mV	640 mV	.6 sec
Display Range	6.8-8.2	0-995 mV	0-995 mV	
Setpoint Range	7.0-8.0	400-900 mV		
Feed Cycles	.6 to 900 seconds w/5-min analyzation periods			
Power	120V corded			
Feed	Timed or Continuous			
Maximum Output	3.15 Amps			

INCLUDES: Controller, flow cell with flow switch, probes, 3/8" tubing and fittings.



Model RC554M Controller Remote Monitor P/N 554400

- Monitor is compatible with Rola-Chem Generation II Digital pH/ORP Controllers: RC554XP (manufactured after October 2015) and RC554XXP (manufactured after May 2016)
- Monitor will upload controller data at specific intervals that are set by operator
- Secure website with operator set password
- Serial connection cable from monitor to data port of controller is included

- A hardwired ethernet connection with unrestricted internet access must be available
 - LED lights verify connection to local network (Green) and activity (Amber)
 - Internal reset button—used to reconnect monitor to server
 - Power down will automatically reconnect monitor to server
 - No subscription required
- MODEL RC554M**
902927

READY-TO-MOUNT CONTROLLER SYSTEMS



MODEL SHOWN: 554500

pH Liquid Acid/ORP Liquid Chlorine System

Includes: Programmable Digital pH/ORP Controller complete with Flow Cell, Flow Switch, Sample Valves, ORP and pH Probes, 40' of Black 3/8" Tubing, 100' Clear 7/16" Tubing and Fittings, two Pro Series 300 Peristaltic Pumps 38 GPD), In-line Flow Cell Strainer.

ALSO AVAILABLE:

- S/O UPC 7-57706 00117-5
Includes one 38 GPD & one 12 GPD Peristaltic Pump
- S/O UPC 7-57706 00118-2
Includes two 1 GPD Peristaltic Pumps
- S/O UPC 7-57706 00119-9
Includes two 12 GPD Peristaltic Pumps
- S/O UPC 7-57706 00120-5
Includes one 1 GPD & one 12 GPD Peristaltic Pump
- S/O UPC 7-57706 00123-6
Includes two 77 GPD Peristaltic Pumps
- S/O UPC 7 57706 00126-7
includes one 77 GPD & one 38 GPD Peristaltic Pump



MODEL SHOWN: 554518

Control Two Sanitizer Sources with Digital pH/Dual ORP System

Includes: Programmable Digital pH/Dual ORP Controller complete with Flow Cell, Flow Switch, Sample Valves, ORP and pH Probes, 40' of Black 3/8" Tubing, 100' Clear 7/16" Tubing and Fittings, two Peristaltic Pumps. (38 GPD), In-line Flow Cell Strainer.

ALSO AVAILABLE:

- S/O UPC 7-57706 00132-8
Includes one 38 GPD Peristaltic Pump and one Solenoid Kit
- S/O UPC 7-57706 00133-5
Includes one 38 GPD Peristaltic Pump & one 12 GPD Peristaltic Pump
- S/O UPC 7-57706 00134-2
Includes one 12 GPD and one Solenoid Kit
- S/O UPC 7-57706 00135-9
Includes two 12 GPD Peristaltic Pumps



MODEL SHOWN: 554511

pH/ORP Salt Generator System

Includes: Programmable Digital pH/ORP Controller complete with Flow Cell, Flow Switch, Sample Valves, ORP and pH Probes, 40' of Black 3/8" Tubing, 100' Clear 7/16" Tubing and Fittings, one Peristaltic Pump (38 GPD), In-line Flow Cell Strainer.

ALSO AVAILABLE:

- S/O UPC 7-57706 00122-9
Includes one 12 GPD Peristaltic Pump

DIGITAL CONTROLLERS



Chemtrol™ 250 Controller

- Microprocessor-based digital controller maintains both sanitizer ORP (oxidation-reduction potential or Redox) and water pH in small commercial pools and spas
- Simple to install, long-term reliability
- Adjustable; set points, high & low alarms, overfeed safety timers & proportional feed control
- Housed in waterproof cabinet with clear cover

81299 C 250 Controller

Chemtrol™ 255 Controller

- New solid-state PPM Sensor with selective membrane for Free Chlorine
- Easy to install, simple to use
- Not affected by cyanurates or oxidizers
- No expendable reagents required; no pressure cell
- All set points and alarms are adjustable
- Probes for salt generator applications are available

81296 C 255 Controller

Chemtrol™ PC3000 Controller

- ORP control of oxidizer with shock and chemical saving programs
- Sanitizer PPM display from ORP and pH
- pH control with acid/base feed and probe rinse program
- Heater control with energy saver program
- Langelier saturation index for water balance
- Automatic data logging for up to 999 tests
- Full screen menus in English, French or Spanish

S/O
81521

Options

- Solid State free chlorine sensor for monitoring and control
- Conductivity/total dissolved solids (TDS) control with autofill capability for salt generators
- Water level control with electronic sensor and fill valve control
- Main pump control and flow rate with cumulative display
- Influent/effluent pressures monitoring with safety alarms
- Remote computer operation and graphic data display
- Modbus communication to building management systems

Chemtrol PC2000, PC2100, PC3000, PC4000, PC4000, PC5000, PC6000 & PC7000 are fully customizable, see options below

Customize your Chemtrol to fit your needs!

Model/Features	pH Control	ORP	PPM Sensor	Conductivity Temperature	Langelier Index	Backwash Programs
PC7000	•	•	•	•	•	•
PC6000	•	•	OPT	•	•	•
PC5000	•	•	•	•	•	•
PC4000	–	–	–	–	–	•
PC3000	•	•	OPT	•	OPT	•
PC2100	•	•	OPT	OPT	–	–
PC2000	•	•	–	OPT	–	–

CHEMTROL FREE-CHLORINE SENSORS

Chemtrol™ PPM Sensors

Introducing new PPM sensors for direct measurement of FREE CHLORINE in water in parts per million (ppm) or milligrams per liter (mg/l). Unlike other chlorine sensors on the market, these sensors are very precise and so reliable that they are covered by a 2-year warranty.

They are easy to install and practically maintenance free. For best water management, it is recommended to use ORP control of chlorine oxidizing activity and PPM monitoring of free chlorine. Alternatively, PPM control can be used for control of the sanitizer and ORP control for a non-chlorine oxidizer.

- Free chlorine measurement including: free chlorine (HOCl and OCl-) and combined isocyanurates if present, corresponding to the DPD1 test.
- pH Range of 5.5 to 9.5
- Temperature range of 5 to 50 C (40 to 120 F)
- Cyanuric acid compatible,
- Pressure range up to 3 bars (45 psi)
- PVC body with 1" MPT fitting
- Replaceable membrane and electrolyte

PPM, ORP and pH

For best results in water management, it is recommended to use both ORP control of free chlorine and PPM monitoring of total and combined chlorine. Alternatively, PPM control can be used for control of the sanitizer and ORP control for an oxidizing agent, such as ozone. The chlorine sensor is now available with the CHEMTROL(R) 255T Digital Controller for PPM and pH.

PARTS



Chemtrol™ Controller Parts

- 81654 ORP Probe (with connectors)
- 81656 pH Probe (with connectors)
- 81657 By-Pass Line
- 81658 Flow Cell Assembly with Flow Switch



A-100NC Analog Fixed Speed

- Precise output control to 20:1 turndown by means of a dial knob
- Adjustable 5 second repeating interval timer (0.25 - 5.0 sec) results in high frequency of small injections per minute

A-100NF Analog Variable Speed

- Manual output control
- Easy Dial knob style – output percentage speed adjustment.
- 15 – 100% output adjustment

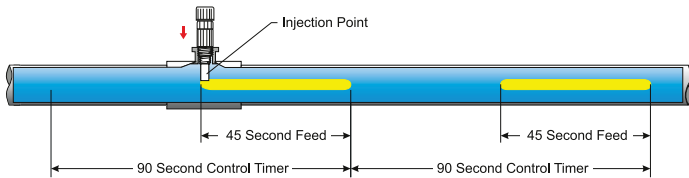
A-100NE Digital Fixed Speed

- Manual output control digital interval timer for 200:1 turndown ratio
- Repeating interval and injection time cycles programmable in seconds, minutes, hours, and days

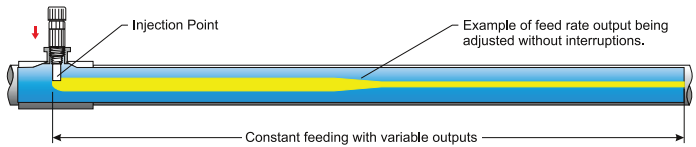
A-100NV Digital Variable Speed

- Manual or Automatic control
- Accepts 4-20mA, 0-10VDC, and pulse input signals
- 1 amp alarm output relay

FIXED SPEED MODELS (intermittent cycle time output)
You control the pumps feed by using timers (built-in or external).



VARIABLE SPEED MODELS (continuous pulse free output)
Continuous pumping, even while adjusting the percentage of output.



Graphical representation of the Variable Speed and Fixed Speed peristaltic pump injection characteristics. NOTE: Your chemical or solution is mixed in the fluid. This image is only illustrating the feed characteristics.

BLUE & WHITE PERISTALTIC PUMPS

FEEDER TANKS



A1A Acid and Liquid Chlorine Feeder

- Easy to install, easy to maintain digital controls for accurate adjustability
- 3-year warranty

- Energy Efficient BLDC Motor
- Compatible with chemical controllers
- Patented Tube Failure Detection System

- NEMA 4X (IP 66) washdown duty
- Optional 7, 15 and 30 gallon system



Feed Rate	Max Pressure	Max Temp	115V AC Model	230V AC Model
0.01 - 100 GPD	40 PSI	185° F	A1A4-7T	A1A5-7T

Chemical Feed Tank Parts

- S/O Stand with Bracket for 30 Gallon Tank
- S/O Stand Only for 30 Gallon Tank
- 81753 Stand w/Bracket for 50 Gallon Tank
- 81660 Threaded Injector
- 81665 Foot Valve for 3/8" OD Tubing
- S/O Pump Head Kit 3/8" OD Acrylic, Pressure Relief, Viton O-ring & Diaphragm
- 81700 1/4" (100') Polyethylene Tubing
- 81702 3/8" Tube Assembly Neoprene
- 81703 3/8" Tube Assembly Vinyl

Chemical Feed Tanks

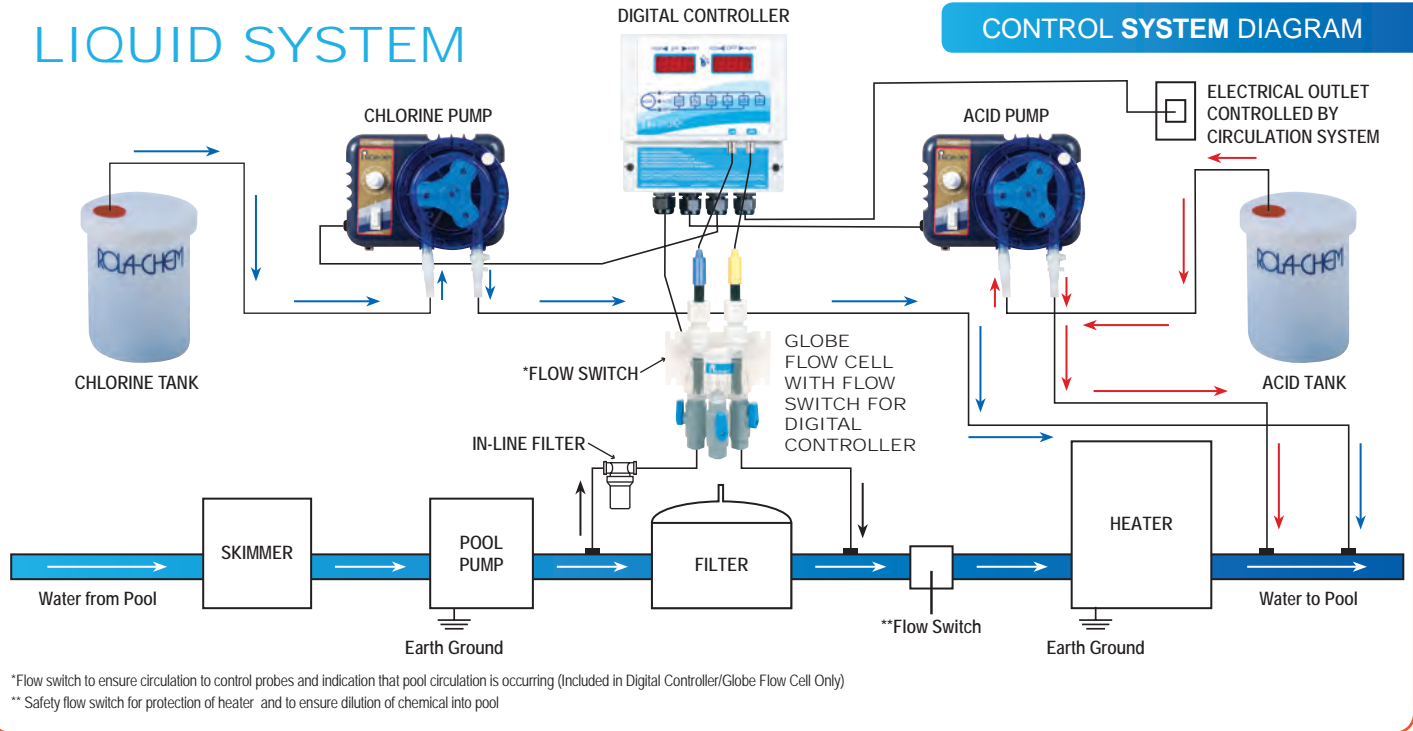
- 81710 15 Gallon Tank
- 81720 30 Gallon Tank
- 81730 50 Gallon Tank

A2A Acid and Liquid Chlorine Feeder

- Designed for high volume applications
- Digital controls for accurate adjustability
- Patented tube failure detection
- Compatible with controllers
- 3 year warranty



LIQUID SYSTEM



*Flow switch to ensure circulation to control probes and indication that pool circulation is occurring (Included in Digital Controller/Globe Flow Cell Only)
 ** Safety flow switch for protection of heater and to ensure dilution of chemical into pool



Rola-Chem Feeder Pumps

Rola-Chem peristaltic chemical feed pumps are enclosed in impact resistant plastic cases and feature built-in solid state timers. Pumps are designed with 3-way bypass switches. Run on the “timer” position for interrupting action or run in the “on” position for continuous dispensing. Heavy-duty, air-cooled motor has a thermal overload protection system and a maximum pressure of 30 psi. Pump heads are molded Lexan®, hi-impact, & polycarbonate resin. 1-yr manufacturer warranty. Self-priming peristaltic pump that is available in 120V or 240V.

81672 RC25 53 12 GPD, 120V 81673 RC105 32 GPD, 120V 81674 RC503 72 GPD, 120V



Rola-Chem Pro Series Sizing Guide – Estimated Maximum Gallons Per Day

Settings	On	Off	322445	81672	81673	81674
Lo	4 Sec.	8 Min 56 Sec	.01	.10	.34	1.00
2	1.5 Min	7.5 Min	.18	1.20	3.72	8.88
3	3 Min	6 Min	.33	3.60	10.80	24.00
4	4.5 Min	4.5 Min	.50	6.00	19.40	40.00
5	6 Min	3 Min	.66	8.40	25.20	53.00
6	7.5 Min	1.5 Min	.78	11.00	33.40	67.00
Hi	8 Min 56 Sec	4 Sec	.90	12.00	38.00	77.00
OUNCES PER MINUTE AT FULL ON			.08	1.06	3.37	6.84



Rola-Chem System Tank

- Convenient mounting of your Rola-Chem Pump on tank
 - Includes chemical re-fill and pick-up holes
 - Heavy-Duty Construction - formed from high-density polyethylene
 - Translucent - allows visual check of chemical level
 - UV Protected - solar rays will not damage chemicals
- 321814 RC-103 SC Rola-Chem Pro Series Pump
 38 GPD mounted on a 15 gal Poly Tank
- 304736 RC-25/53 SC Rola-Chem Pro Series Pump
 12 GPD mounted on a 15 gal Poly Tank

GPD = Gallons Per Day *Using 12.5% Liquid Chlorine



Rola-Chem Chemical Tanks

Rola-Chem offers a range of heavy-duty tanks and covers available in 5, 15, 30, and 55 gallon sizes. Precision-molded of high-density polyethylene polymer, which is highly resistant to corrosive solutions. For your convenience, tanks and lids are sold separately.

956301 T-5 5 gal Poly Tank
 958623 T-15 15 gal Poly Tank
 953781 T-30 30 gal Poly Tank
 953292 T-5555 gal Poly Tank



45 Series



85 Series



100 Series



170 Series

Electromechanical Single Head

Adjustable Model

- External dial ring
- 5%-100%, 2.5% increments



Fixed Model

- No adjustment
- Output equivalent to setting 10 on the adjustable pump

Electromechanical Double Head

Adjustable Model

- External dial ring
- 5%-100%, 2.5% increments



Fixed Model

- No adjustment
- Output equivalent to setting 10 on the adjustable pump

45 Series Fixed Model

25 psi / 1.7 bar
0.2 to 50 GPD
0.8 to 189.3 LPD
100 psi / 6.9 bar
0.2 to 22 GPD
0.8 to 83.3 LPD

81650 S/O Model 45m 1/4" 50 GPD
81652 S/O Model 45mhp 1/4" 12 GPD
*Additional models available

85 Series Adjustable Model

25 psi / 1.7 bar
0.3 to 85 GPD
1.1 to 321.8 LPD
100 psi / 6.9 bar
0.3 to 40 GPD
1.1 to 151.4 LPD

81651 S/O Model 85m 1/4" 85 GPD

100 Series Adjustable Model

25 psi / 1.7 bar
0.3 to 100 GPD
1.1 to 378.5 LPD
100 psi / 6.9 bar
0.3 to 20 GPD
1.1 to 75.7 LPD
S/O

170 Series Adjustable Model

25 psi / 1.7 bar max. 0.5 to 170.0 gpd
1.9 to 643.5 lpd
100 psi / 6.9 bar max. 0.5 to 34.0 gpd
1.9 to 128.7 lpd
S/O



All QuickPro Pumps

- ✓ 3 Patent pending QuickPro Pump Head provides fast tube replacement without tools.
- ✓ 3 Collapse or expand the roller assembly with the pump head cover to remove the tube or secure it in place.
- ✓ 3 Tubes are interchangeable within the same series.

PUMP & TANK PRE-PACKAGED SYSTEM



Features

- Includes rain roof to help protect motor (Classic Series only)
- Pump is vertically mounted for solution containment
- Child resistant lid
- Polyethylene construction is lightweight and rugged

How It Works

The Tank System consists of a tank and pump. The system is factory assembled with your pump choice: Classic single head adjustable or fixed, MI28 or Econ, and your tank choice: 7.5, 15, 30 gallon, in white or UV resistant gray.

ECON T DOSAGE PUMP



Econ T Series

For indoor or outdoor applications that require timed injection, the Econ T offers flexible scheduling and automatic dosing control. Solutions are not in contact with the pump's moving parts and are injected through a food grade peristaltic tube.
S/O

Item # Prefix	Pump Tube	Roller Assembly	Gallons Per Day	Gallons Per Hour	Ounces Per Hour	Ounces Per Min.	Pressure Max PSI
E10T1F*	F	White	.60	.02	3.0	.05	80
E10T2F*	F	White	1.30	.05	6.60	.11	80
E20T4F*	F	White	3.40	.14	18	.30	80
E20T4G*	G	Black	12.30	.51	65.40	1.09	80
E20T4H*	H	Black	21.70	.90	115.20	1.92	80
E10T1A	A	White	2.50	.10	13.20	.22	25
E10T2A	A	White	5.00	.21	26.40	.44	25
E10T2B	B	White	8.50	.35	45.60	.76	25
E10T2C	C	White	15	.63	79.80	1.33	25

*Injection check valve is included with pump rated 80 psi (5.5 bar) maximum.

Approximate Maximum Outputs @ 50/60HZ

NOTICE: The information within this chart is solely intended for use as a guide. The output data is an approximation based on pumping water under a controlled testing environment. Many variables can affect the output of the pump. Stenner Pump Company recommends that all metering pumps undergo field calibration by means of analytical testing to confirm their outputs.



Cylindrical
15 Gallons up to 500 Gallons

Square
5 Gallons up to 175 Gallons



Features & Benefits of Gemini Dual Containment® Tank Systems

All Peabody Gemini® tanks made from LDPE are available WQA Gold Seal ANSI 61 compliant. In Natural (Vanilla) or Gemini Blue XLPE ANSI 61 compliant from 40 gallons up to 500 gallons.

Linear polyethylene (LDPE) construction. Polypropylene (PPL), XLPE and PVDF available - Superior chemical resistance for acids, caustics, sodium hypochlorite, biocides, etc. Handles aggressive applications that stainless steel will not.

Durable dual wall construction - Standard tanks rated in 5 SPG, 1.9 SPG heavy duty available. "Tank in a Tank" design for instances where primary tank fails, the chemical will be safely contained in secondary tank.

NEW Standard secondary tank leak detection port - factory optional leak detection alarm.

Integral pump mounting platform - Lid has 240 pound rating allowing for use with metering pump or mixer mounted directly to tank dome. Models with sump reservoir collects and drains liquid back to primary.

Pump pick-up tube port - Install pump suction line with check valve quickly and easily. Once installed, tank contents are sealed from outside environment.

Integral mouse door - Molded directly into most Gemini® models, recessed mouse door allows for inexpensive installation of optional bottom bulkhead fitting for flooded suction connection or bottom fill.

All of our tanks meet or exceed the EPA's requirements for secondary containment under EPA Regulation 40-CFR.

Gemini Dual Containment® - CYLINDRICAL

Tank Size Gal/Liter	Diameter	Height	Capacity		Polyethylene LDPE † SD 1.5		Polyethylene LDPE † HD 1.9		Crosslink SLPE Natural	
			Inner	Outer	Blue	Natural	Blue	Natural	SD1.5	HD1.9
15 G / 57 L	19.5 in / 49.53 cm	28.75 in / 73.03 cm	15 G / 57 L	25 G / 95 L	01-28907	01-28906	01-29772	01-29763	01-30124	01-30135
20 G / 76 L	22 in / 55.88 cm	26.75 in / 67.95 cm	20 G / 76 L	28 G / 106 L	01-14871	01-1073	01-29773	01-29764	01-30125	01-30136
40 G / 151 L	22 in / 55.88 cm	42.5 in / 107.95 cm	40 G / 151 L	51 G / 193 L	01-29436	01-29437	01-29775	01-29766	† 01-30127	† 01-30138
40 G / 151 L	23.5 in / 59.69 cm	39.5 in / 100.33 cm	40 G / 151 L	50 G / 189 L	01-14874	01-1076	01-29774	01-29765	† 01-30126	† 01-30137
62 G / 235 L	25.5 in / 64.77 cm	38 in / 96.52 cm	62 G / 235 L	74 G / 280 L	01-14877	01-1077	01-29776	01-29767	† 01-30128	† 01-30139
65 G / 246 L	27 in / 68.58 cm	47 in / 119.38 cm	65 G / 246 L	92 G / 348 L	01-29920	01-29921	01-29922	01-29923	† 01-30129	† 01-30140
90 G / 341 L	34 in / 86.36 cm	41.25 in / 104.78 cm	90 G / 341 L	116 G / 439 L	01-30294	01-30295	01-30296	01-30297	† 01-30298	† 01-30299
120 G / 454 L	33 in / 83.82 cm	47 in / 119.38 cm	120 G / 454 L	142 G / 538 L	01-14870	01-1072	01-29777	01-29768	† 01-30130	† 01-30141
160 G / 606 L	34 in / 86.36 cm	68 in / 172.72 cm	160 G / 606 L	224 G / 848 L	01-29877	01-29939	01-29940	01-29941	† 01-30131	† 01-30142
220 G / 833 L	48 in / 121.92 cm	48 in / 121.92 cm	220 G / 833 L	278 G / 1052 L	01-14872	01-1074	01-29778	01-29769	† 01-30132	† 01-30143
320 G / 1211 L	48 in / 121.92 cm	60.5 in / 153.67 cm	320 G / 1211 L	385 G / 1457 L	01-14873	01-1075	01-29779	01-29770	† 01-30133	† 01-30144
500 G / 1893 L	61 in / 154.94 cm	66.5 in / 168.91 cm	500 G / 1893 L	650 G / 2461 L	01-14876	01-14875	01-29780	01-29771	† 01-30134	† 01-30145

Gemini Dual Containment® - SQUARE

Tank Size Gal/Liter	Length	Width	Height	Capacity		Polyethylene LDPE † SD 1.5		Polyethylene LDPE † HD 1.9		Crosslink SLPE Natural	
				Inner	Outer	Blue	Natural	Blue	Natural	SD1.5	HD1.9
5 G / 19 L	14 in / 35.56 cm	14 in / 35.56 cm	13.5 in / 34.29 cm	5 G / 19 L	7 G / 26 L	01-31922	01-31923	01-31924	01-31925	01-31926	01-31927
10 G / 38 L	14 in / 35.56 cm	14 in / 35.56 cm	22 in / 55.88 cm	10 G / 38 L	12 G / 45 L	01-29816	01-29820	01-30044	01-30048	01-30146	01-30151
20 G / 76 L	18 in / 45.72 cm	18 in / 45.72 cm	24 in / 60.96 cm	10 G / 38 L	25 G / 95 L	01-29333	01-29371	01-30052	01-30056	01-30147	01-30152
40 G / 151 L	20 in / 50.8 cm	20 in / 50.8 cm	37.25 in / 94.62 cm	40 G / 151 L	51 G / 193 L	01-29655	01-29659	01-30060	01-30064	† 01-30148	† 01-30153
70 G / 265 L	24 in / 60.96 cm	24 in / 60.96 cm	41 in / 104.14 cm	70 G / 265 L	84 G / 318 L	01-29824	01-29828	01-30068	01-30072	† 01-30149	† 01-30154
120 G / 454 L	32 in / 81.28 cm	32 in / 81.28 cm	50 in / 127.00 cm	120 G / 454 L	167 G / 632 L	01-29671	01-29675	01-30076	01-30080	† 01-30150	† 01-30155
120 G / 454 L	32 in / 81.28 cm	32 in / 81.28 cm	50 in / 127.00 cm	120 G / 454 L	167 G / 632 L	01-32973	01-32974	01-32975	01-32976	† 01-32978	† 01-32980
175 G / 662 L	35 in / 88.90 cm	35 in / 88.9 cm	57 in / 144.78 cm	175 G / 662 L	240 G / 908 L	01-33086	01-33088	01-33087	01-33089	† 01-33091	† 01-33093

SD is Standard Duty
HD is Heavy Duty



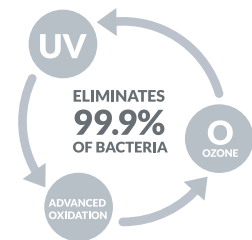
Part #s include Gemini® logo, dimensions are nominal. † ANSI 61 Compliant. XLPE have different fitting configurations - contact customer service for more information. Ribs on Gemini® Square Ribbed tanks are not designed for use in lifting tank with a forklift. Twist Lid sizes on all Tanks w/Lids. For other materials, part numbers and pricing call customer service.

For the Closest Location Visit LesliesPool.com/stores.htm

Commercial Sanitization

With our sanitization solutions, commercial pools and spas benefit from the clearest, safest water possible. Our Saline C Series salt chlorine generators meet commercial demands while delivering the same natural comforts of salt chlorination so common in the residential market. HydroRite™ UVO₃ supplementary disinfectant treatment system supports the Model Aquatic Health Code (MAHC), provides protection against recreational waterborne illnesses (RWIs) and reduces chlorine demand by at least 50%. Pair with a CAT Controller for a completely automated sanitization system.

HydroRite™ UVO₃ Commercial UV Ozone Advanced Water Treatment System



Eliminates 99.9% Of Bacteria

HydroRite UVO₃ from Hayward Commercial Aquatics sets a new standard in water quality, utilizing UV, Ozone and Advanced Oxidants to drastically reduce the threat of deadly recreational waterborne illnesses (RWIs). Used as a supplementary disinfectant system as recommended by the U.S. Centers for Disease Control's Model Aquatic Health Code guidelines, HydroRite delivers a powerful trio of disinfectants that work synergistically to inactivate more than 99.9% of harmful chlorine-resistant microorganisms. HydroRite UVO₃ makes it easier and more affordable than ever to provide commercial pools the most advanced all-in-one UV and Ozone system the industry has ever seen.

High bather loads create higher bacteria levels—most left untreated by chlorine alone. As a proactive measure, the U.S. Centers for Disease Control (CDC) has created the Model Aquatic Health Code (MAHC), which highly recommends the use of UV or Ozone as a supplementary disinfectant treatment. Hayward's HydroRite UVO₃ will ensure that commercial facilities stay on the cutting-edge of swimmer safety by reducing waterborne illnesses due to harmful chlorine-resistant microorganisms.

Low-Risk Investment for High-Risk Environments

- Supplementary and/or secondary disinfection as recommended by CDC's Model Aquatic Health Code
- Advanced water treatment system combining 3 powerful disinfectants
- Inactivates more than 99.9% of harmful chlorine-resistant microorganisms such as Cryptosporidium and Giardia
- Reduces irritating chloramines by 50% or more, improving indoor air quality
- Reduces overall chemical usage and chlorine demand by 50% or more, lowering operating costs and extending the life of salt chlorination cells
- ANSI Standard 50 Certified

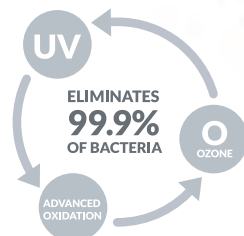
[Click here to Connect with your Account Manager](#)

BioShield CVP UV Disinfection Sterilizer

When operating space is restricted, our vertical BioShield UV Systems provide the small footprint you need. These vertical models feature single-end, top-loading quartz sleeves to minimize space required and maximize serviceability. Each model is extremely durable and features a corrosion-resistant UV vessel and control panel. All models are designed to deliver optimum UV performance by utilizing the UV lamp's UV-C output to its maximum potential. BioShield UV Systems are water-tight and designed for indoor/outdoor use. Each model is equipped with a flanged base for easy installation.

FEATURED HIGHLIGHTS

- Enhanced, state-of-the-art electronic ballast, sized precisely to the lamp's power requirement, ensures optimal UV-C output and maximum "useful lamp life"
- Small footprint: vertical operation reduces required horizontal space
- Cost-effective Schedule 80 solvent welded PVC plastic vessels stand up to corrosive Chlorine environments.
- Single-End UV lamp and quartz sleeve access for easy servicing
- Watertight design protects all electrical hardware from water damage
- Highest-quality, low-pressure high-output UV lamps offer 12,000 hours of continuous operation (80% efficient after 12,000 hours)
- Choice of inlet/outlet port sizes
- Included Over-Temp System Shutdown Sensor shuts down the lamp field to avoid damage when water temperature inside the vessel exceeds 120° F
- 6-foot power cord and 20-foot lamp cables



eco select™

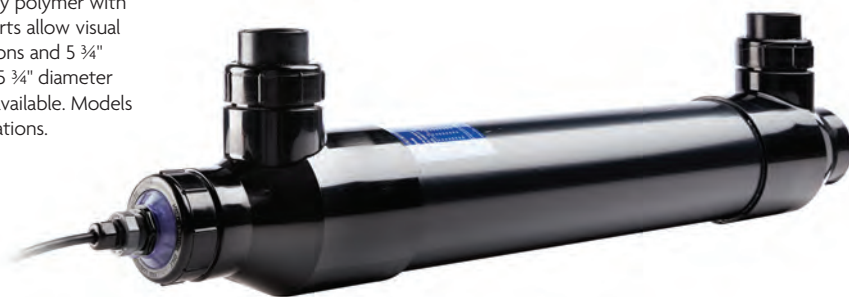


BioShield HMAC UV Disinfection System

BioShield Systems feature Low Pressure High Output (LPHO) lamps that offer approximately twice the UV output of standard Low Pressure (LP) lamps with the same arc length. UV vessels are built of a UV-resistant, high density polymer with a removeable end cap to provide easy internal access. Viewing ports allow visual indication of lamp status. 25, 45, and 62 gpm units have 2" slip unions and 5 3/4" diameter housings and the 90 gpm unites have 3" slip unions and 5 3/4" diameter housings. 10' cable to ballast and 6' cord. 120V and 240V units are available. Models include an in-line, sealed water-tight power supply for wet applications.

FEATURED HIGHLIGHTS

- Neutralizes harmful bacteria and pathogens instantly, including Cryptosporidium and E.coli
- Eliminates chloramines, conserves chlorine and works as a supplementary water enhancement
- Low-pressure, high-output UV lamp runs at lower temperatures to conserve energy
- High-density polymer with removable end cap provides easy internal access
- American-made UV lamps can last up to 12,000 hours
- 2" union inlet/outlet ports



eco select™





Hayward Chlorine Feeder

- 16208 CL200 In-line Feeder
- 16205 CL220 Off-Line 9 lb Feeder
- 16104 Off-Line Bromine Feeder



Jacuzzi Chlorine Feeder

- 81466, ■ 82466 JAC90i (in-line) 9 lbs capacity
- 81467, ■ 82467 JAC90 (off-line) 9 lbs capacity
- 81468, ■ 82468 JAC50i (in-line) 5 lbs capacity
- 81469, ■ 82469 JAC50 (off-line) 5 lbs capacity



Rainbow Chlorinators

- ABS plastic construction
- Dial-control valve for easy feed-rate adjustments
- Proven reliability
- Less flow restriction than other models
- 5 lbs, 9 lbs and 14 lbs capacity
- 81308 320 (in-line) 5 lbs capacity
- 81307 300 (off-line) 5 lbs capacity
- 81309 30019 (off-line) 9 lbs capacity
- 81306 30029 (off-line) 14 lbs capacity
- 81310 30029X (off-line) 14 lbs capacity
- 81305 HC-3315 14-lbs capacity
- 81311 HC-3330 30-lbs capacity

- 81313 HC-3340 40-lb capacity
- 81301 S/O Flow Indicator for 30029X
- 16387 S/O 320 Spa Chamber for 320

Rainbow Chlorinator Parts

- 16378 S/O RA Chlor Parts for 1/2" tubing
- 611727 RA Chlor Parts for 1/4" tubing
- 16370 Cap, white
- 66565 O-Ring cap
- 16418 Tubing 12 ft 1/2"

SANI-TOWER SYSTEMS— WORKS WITH CYA-FREE POWER PRO TABS.



Sani-Tower 90

- Indoor: Up to 100,000 gallons
- Outdoor Stabilized: Up to 35,000 gallons
- Outdoor Unstabilized: Up to 20,000 gallons
- Tablet Capacity: 30 lbs.
- Size: 9" Diameter x 45"H



Sani-Tower 275

- Indoor: Up to 600,000 gallons
- Outdoor Stabilized: Up to 200,000 gallons
- Outdoor Unstabilized: Up to 100,000 gallons
- Tablet Capacity: 50 lbs.
- Size: 22"W x 27"L x 35"H



Sani-Tower 500

- Indoor: Up to 1.5 million gallons
- Outdoor Stabilized: Up to 500,000 gallons
- Outdoor Unstabilized: Up to 250,000 gallons
- Tablet Capacity: 100 lbs.
- Size: 22"W x 27"L x 46"H

	Sani-Tower® System	12% Liquid Chlorine	Trichlor	Chlorine Generators
Safety	No containment needed. Solid form of chlorine.	Dual containment required.	Solid form of chlorine. Off-gassing and noxious fumes. Pressurized feeder requires care to refill.	Minimal safety concerns.
Handling	A 50-lb. pail of PowerPro tablets is equal to a 55-gallon drum of liquid chlorine weighing over 500 lb.	Large polyethylene holding tanks can be difficult to fill. 55-gallon drums are hard to maneuver.	Various size pails.	40-lb. bags of salt. Very large quantities required during start-up. To reach 3,000 ppm in a 200,000 gallon pool, it would take 125 40-lb. bags
Chemistry	10 pH means easier water balance. Helps maintain alkalinity. Chlorine strength degrades slowly.	13 pH requires large amounts of acid to balance water (2 to 3 times as much acid addition as PowerPro tabs).	3 pH requires large additions of sodium carbonate to balance water. Destroys alkalinity. Raises stabilizer levels.	Must maintain ~ 3,000-9,000 ppm salt concentration in the pool; salt is converted to chlorine as it passes through the cells.
Maintenance	Minimal maintenance. Required cleaning 1 to 2 times per year.	Feed pumps need constant repair and tubing leaks regularly. Gas locking of pump is not uncommon.	Minimal maintenance.	Must replace costly cells every two to four years. High energy cost to operate.

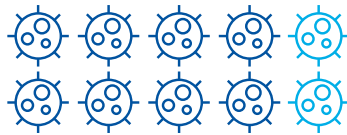
LONZA CCH® ENDURANCE SYSTEM

Every year, thousands of people are sickened by illnesses caused by germs found in the water we swim in.

These illnesses are spread by swallowing, breathing in or having contact with contaminated water in swimming pools, hot tubs, water parks and natural bodies of water.

Nearly 8 in 10

Outbreaks of gastrointestinal illness associated with treated recreational water (2003-12) are caused by the bacterium Cryptosporidium¹



Cryptosporidium - contaminated water can cause unpleasant and potentially dangerous symptoms, including:

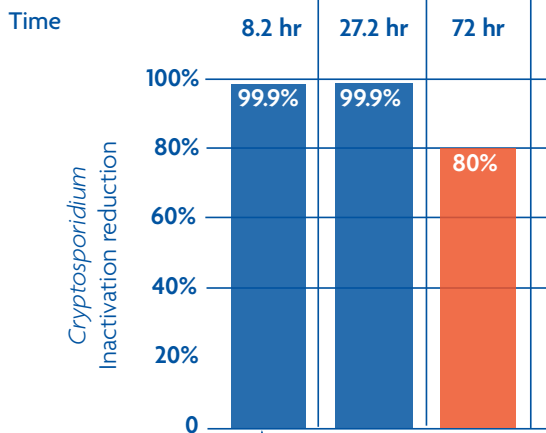
- Gastrointestinal Distress
- Nausea and Vomiting
- Dehydration
- Fever

Are you adding too much CYA?

Cyanuric acid (CYA) is used in pools and spas to restrict the loss of free chlorine due to the sun's ultraviolet rays. A common type of sanitizer, trichlor, contains up to 54% CYA.

What had long been considered a modest level of CYA stabilizer has now been shown by federal research to inhibit or "bind" chlorine to an extent that CYA can significantly inhibit chlorine's ability to inactivate Cryptosporidium.

CYA ppm (mg/L)	None	16	100
Free Chlorine (mg/L)	20	20	20



There is a direct correlation between CYA level and how long it takes to kill Cryptosporidium in the presence of chlorine.

How Do We Stack Up?

	Kills Bacteria	Slow Dissolving	Minimal Degradation After 1 Year	Plaster Protection	CYA-free	Works with ORP
CCH® Endurance	•	•	•	•	•	•
Trichlor	•	•	•			
Bleach	•	N/A			•	•

Setting the Standard for Performance

A truly innovative approach to commercial pool chlorination, our slow-dissolving tablets work with our easy-to-use CCH® Endurance Feeder, an automatic solution that meets the needs of the modern pool facility.

The 3-in-1 Solution!

1. Chlorinate to sanitize pool water
2. Increase calcium to protect plaster
3. Increase alkalinity to stabilize Ph



Adjustable grid height to control output

Designed solely for use with CCH® Endurance slow-dissolve tablets

Cartridge locks in place, for non-drip easy reloading

Flow meter provides precise control of chlorine output rate

WATER FLOW

Pressurized – standard pressure differential installation (across pool filter)

Tablets

- Slow-dissolve
- Works with ORP sensors and will not cause reduction of ORP
- Exclusive, patent-pending technology
- Does not contain CYA
- Class 2 oxidizer

Seismic restraint

Commercial Salt Chlorine Generators

The Saline C Series of electronic chlorine generators provides an elegant, rugged solution specifically designed to meet the demands of commercial installation. The new Saline C 11.0 model is capable of generating 11 lbs of chlorine per day, complementing the current Saline C 6.0, which is capable of generating 6 lbs per day. Both systems deliver all of the benefits of salt chlorination without the wasted space and extra cost of multiplexing multiple residential units.

Hayward Saline C Series

- One Saline C 6.0 unit can handle a up to a 60,000-gallon outdoor pool or a 90,000-gallon indoor pool*
- One Saline C 11.0 unit can handle a up to a 110,000-gallon outdoor pool or a 165,000-gallon indoor pool*
- Compact design with single electrolytic cell
- 110V plug-in efficient switch mode power supply
- Industrial-grade clear vessel for easy inspection
- Plug N' Play chemical automation
- Reduce chloramines and associated odors/corrosion
- Simple low-cost installation vs. multi-cell alternatives
- 2-year limited warranty
- 110V plug-in efficient switch mode power supply
- Industrial-grade clear vessel for easy inspection
- Plug N' Play chemical automation
- Reduce chloramines and associated odors/corrosion
- Simple low-cost installation vs. multi-cell alternatives

**Please check local codes. The sizing provided is based on: 1 lb of chlorine production per 10,000 gallons of water volume (outdoor pools) 1/2 lb of chlorine production per 10,000 gallons of water volume (indoor pools)*



Saline C™ 6.0 Commercial Salt Chlorine Generation System

- Produces up to 6 pounds of chlorine per day
- Commercial sizing 60k gal outdoor, 90k gal indoor
- Compact design, single cell and power supply for easy install
- Industrial-grade, clear vessel, easy inspection
- Reverse polarity self-cleaning technology

81519 Saline C 6.0 Commercial Salt Generation System



Saline C™ 11.0 Commercial Salt Chlorine Generation System

- Produces up to 11 pounds of chlorine per day
- Commercial sizing 110k gal outdoor, 165k gal indoor

88665 Saline C 11.0 Com Salt Generation System



Sizes shown are for residential pools

SwimPure Chlorine Generator

- Generates 100% of pool and spa's chlorine
- Right-sized chlorination – choose from 15K 25K or 40K gallon Turbo Cell - Turbo Cells are sold separately – 3 sizes now available
- Clean, clear and luxuriously soft water, automatically

Not NSF Rated

340065 SwimPure Extreme Controller & 40k Cell (lasts 20% longer)

340133 SwimPure Controller & 40k Cell

340136 SwimPure Controller & 25k Cell



Swim Pure Replacement Cells

340087 Openline Cell - 40k gal 15ft CBL

340088 Openline Cell - 25K gal 15ft CBL

385624 Openline Cell - 15K gal 15ft CBL

15508 Goldline Cell Cleaning Stand

Replacement Cell with Sensor

617100 S/O Fits AquaPure 700

617102 S/O Fits AquaPure 1400

SALT CELL CLEANER



Salt Cell Cleaning Stand

- Convenient way to clean your salt cell without the mess
- Screws onto the cell and allows you to pour the cleaning solution directly in the cell compartment

15508 Cleaner Stand

REPLACEMENT SALT CELLS



SG 5000 Replacement Cell

- Produces up to 2.3 lbs of chlorine per day
- Cell independent of clear cell housing
- Flow sensor built into cell base
- No need to use acid when cleaning cell

81503 Cell w/ Plug and Cap

68528 Cell Housing

68529 Cell O-ring

68531 Cell Clips (4-pack)

SINGLE CELL SYSTEM



1 YEAR WARRANTY

SG 5000 Single Cell Commercial System

Extended warranty programs available

- Produces up to 2.3 lbs of chlorine per day
- Cell independent of clear cell housing
- Flow sensor built into cell base; no additional plumbing
- No need to use acid when cleaning cell
- Remove buildup with ARD cleaning tool

81502 S/O (2.3 Lbs per day)

AUTOPILOT SALT CHLORINE GENERATOR



Pool Pilot Professional

- Easy to read digital display
- Simple push button controls
- Commercial grade electrolytic cells (2.5 lbs/day each)
- Trisensor assembly provides a true salt (with salt addition display), and temperature readout (with automatic output adjustments based on temperature changes)
- Patented flow-control manifold assembly
- Improved air and water quality
- Environmentally friendly—green technology

- 81234 S/O 2-Cell Manifold
- 81235 3-Cell Manifold
- 81236 S/O 4-Cell Manifold
- 81237 5-Cell Manifold
- 81238 6-Cell Manifold



IntelliChlor Salt Chlorine Generator Cell

IntelliChlor Salt Chlorine Generator uses common table salt to produce all the chlorine a pool needs, safely, effectively, and automatically. Same sanitation performance as manual chlorine addition without the drawbacks. No need for customers to buy, transport and store chlorine compounds.

- 901241 Replacement Primary Cell
- 362205 Replacement Secondary Cell



Can produce up to 15 lbs of chlorine per day!

FEATURED HIGHLIGHTS

- Easy to read digital display produces up to 2 lbs of chlorine per day
- Tracking of remaining cell life
- Self-cleaning
- Manifold systems to 8 cells
- Automatic shut-off feature helps protect and prolong cell life
- UL Listed
- Systems available with 15 lbs of chlorine output per day
- Pre-mounted multi-power center configuration
- Works with ORP Control System to generate chlorine on demand
- Performance data captured daily

POOL PILOT DIGITAL & SOFT TOUCH SALT CHLORINE GENERATOR COMBO

- Easy to read digital display with simple push button controls
- Trisensor assembly provides a true salt (with salt addition display) and temperature readout with automatic output adjustments based on temperature changes
- Patented flow-control manifold assembly
- On board diagnosis with 24-hr and 72-hr boost cycles

Pool Pilot Digital

- 81211 Digital Power Supply
- 81207 1-Cell Manifold Assembly

Pool Pilot Digital & Soft Touch Combo

- 81211 Digital Power Supply
- 81212 Soft Touch Power Supply
- 81231 2-Cell Manifold Assembly

Pool Pilot Replacement Cells

- 81510 Replacement for Single Cell Units
- 81273 Replacement for Multiple Cell Units



POOL SALT



Leslie's Pool Salt

- For use with all salt chlorine systems
 - Ultra-pure, evaporated, fine formula
 - Call your local store for availability
- 16458 40 lbs
16470 40 lbs CDC Store Only
16464 50 lbs Pellets

Additional freight may be required

POOL SALT PELLETS



System Saver II Pellets

- Contain up to 99.8% pure salt
 - Patented two-handed bags
- 16450 40 lbs

SCALE PREVENTER

Stain & Scale Prevent

- Weekly application protects and maintains the beauty of all pool surfaces
- Protects against stains, mineral scales, and scum buildup

14226 qt

Protects Salt Cells From Build-Up



Commercial Variable Speed Pump - 5HP

The WhisperFloXF VS Commercial Pump is the first five-horsepower variable-speed pool pump that runs on single-phase or three-phase power. It's an economical, combined motor/drive solution for both HMAc (hotel, motel, apartment, condominium) or large residential installations. The WhisperFloXF VS Commercial Pump provides sophisticated, energy-saving pump technology without the high costs typically associated with independent pump/external drive setups.



Key Technology Innovations Drive Significant Energy Savings

The WhisperFloXF® VS Commercial Pump combines breakthrough motor and controllable, variable speed technology that combine to drive down energy use and cost. Increased savings potential may be measured in thousands of dollars over its long life.

The WhisperFloXF VS Commercial Pump features variable speed capability, along with digital controls and proprietary software that allow custom programming of optimum pump speeds for specific tasks—filtering, heating, cleaning, spa jets, etc. Traditional pool pump speeds are almost always greater than needed to meet the health department turnover requirements.

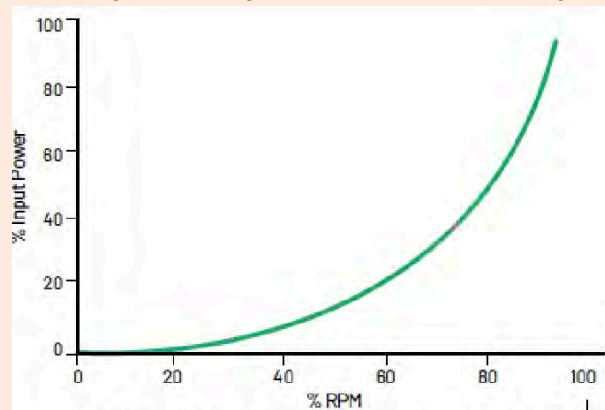
The WhisperFloXF VS Commercial Pump has four programmable settings that can be set to any speed ranging from 300 to 3450 RPMs. This allows you to program the exact flow requirements for each task, assuring the lowest energy use possible...adding to your savings. Plus with the WhisperFloXF VS Commercial Pump, you may be able to further reduce energy costs by reducing flow rates during non-pool use hours while maintaining 24 hour-a-day filtration...at a much lower cost. Check with your local health department for requirements in your area.

Cut Energy Costs Dramatically

The surprising secret to minimizing pump energy costs is to operate at the lowest speed needed to accomplish a job. It takes far less energy to move water slowly than quickly. Why? Because there's lower resistance in the filter, accessories and plumbing system. Even with only modest pump speed reductions, the effect on electricity usage can be dramatic. In fact, reducing pump motor speed by 25% actually reduces the power needed by 58% of what's consumed at the higher speed. A good analogy is your car: you get much better gas mileage at 30 mph than at 90 mph. The same is true with pool pumps—run slower to reduce energy used.



Pump Motor Speed vs. Power Consumption



This graph shows the huge increase in energy consumption as pump speed increases. Slow down the pump and you cut energy costs dramatically.

Standard Features

- Integrated 5HP motor/drive; no expensive external drive required.
- Versatile power input capability; runs off a wide range of single- or three-phase power.
- Speed or flow control for maximum efficiency and pool performance*.
- External control capability through automation systems or relays.
- Intuitive programming and operation.
- Meets commercial codes and agency requirements.

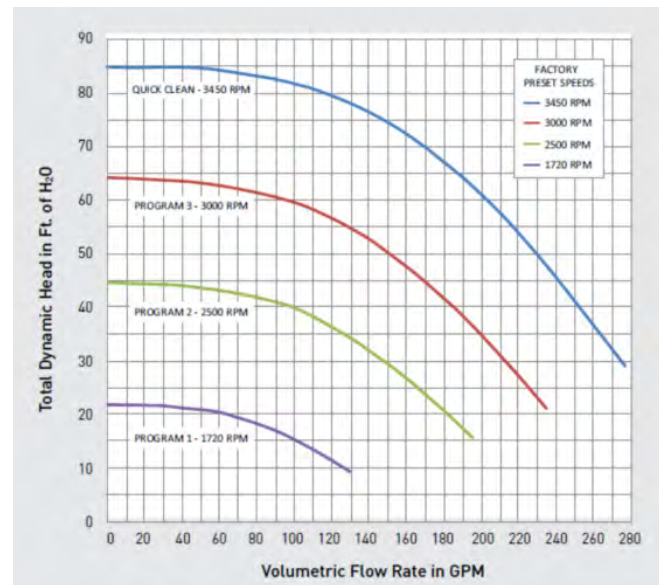
* When connected to Pentair's inline 4-20mA flowmeter for 3" plumbing (P/N 97014-4203KIT— sold separately), or similar 4-20mA flowmeters, this pump is capable of maintaining a constant flow based on the needs of your pool system. To connect the flowmeter and pump, the digital input cable provided in the External Control Wiring Kit (P/N 353129Z— sold separately) is required.

Here's Just One Comparative Example

Pump	Annual Energy Use	Annual Electric Cost @ \$.16/kWh	Annual Savings
Traditional Single Speed Pump	27,681 kWh	\$4,429	—
WhisperFloXF VS Commercial Pump™	13,276 kWh	\$2,124	\$2,305

*Actual savings may vary based on local utility rates, pool size, run time, pump rpm, plumbing size/length and service and other hydraulic factors. Example reflects savings for an avg. 30,000 gallon commercial pool operating 24hrs/day at a flow rate sufficient to perform a min. 6hr turnover. ** WEF: 5.0 THP: 5.0

Performance Curves



Precise flow control and highest available savings.

Ultra-efficient, hydraulic design.

The ultimate performance combination for large and feature-rich pools.

Eliminate the guesswork

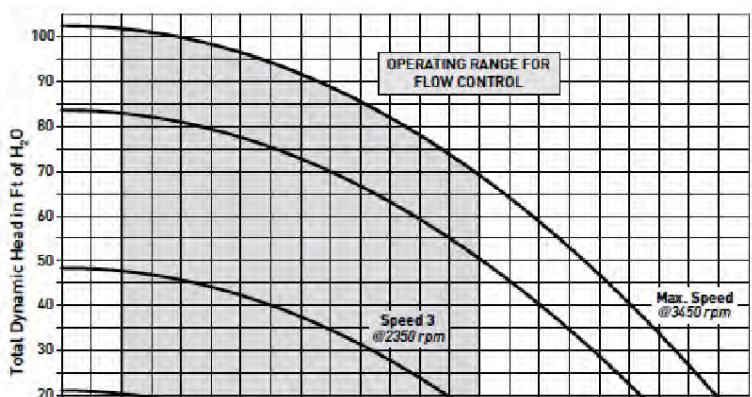
The IntelliFloXF® VSF Pump is the first to adjust to changes in flow conditions to maintain its preprogrammed flow rate. It's like having cruise control for your pump, so it runs optimally throughout the entire filtration cycle.

Highest available efficiency

Since the IntelliFloXF VSF pump is ultra energy efficient, you can experience increased energy savings, up to 90%*, when compared to conventional single or two-speed pumps.

Superior hydraulic design

The IntelliFloXF® VSF pump is perfectly suited for large and feature-rich pools with high flow demands to power waterfalls, slides, negative edges and more.



Smart technology for remarkable energy efficiency

Experience energy savings of up to 90%*. IntelliFlo pumps are installed in more pools worldwide and have saved more money than any other variable speed pump family.

The quietest pump on the planet

When operating at low speed, it's so quiet you might not even know it's operating.

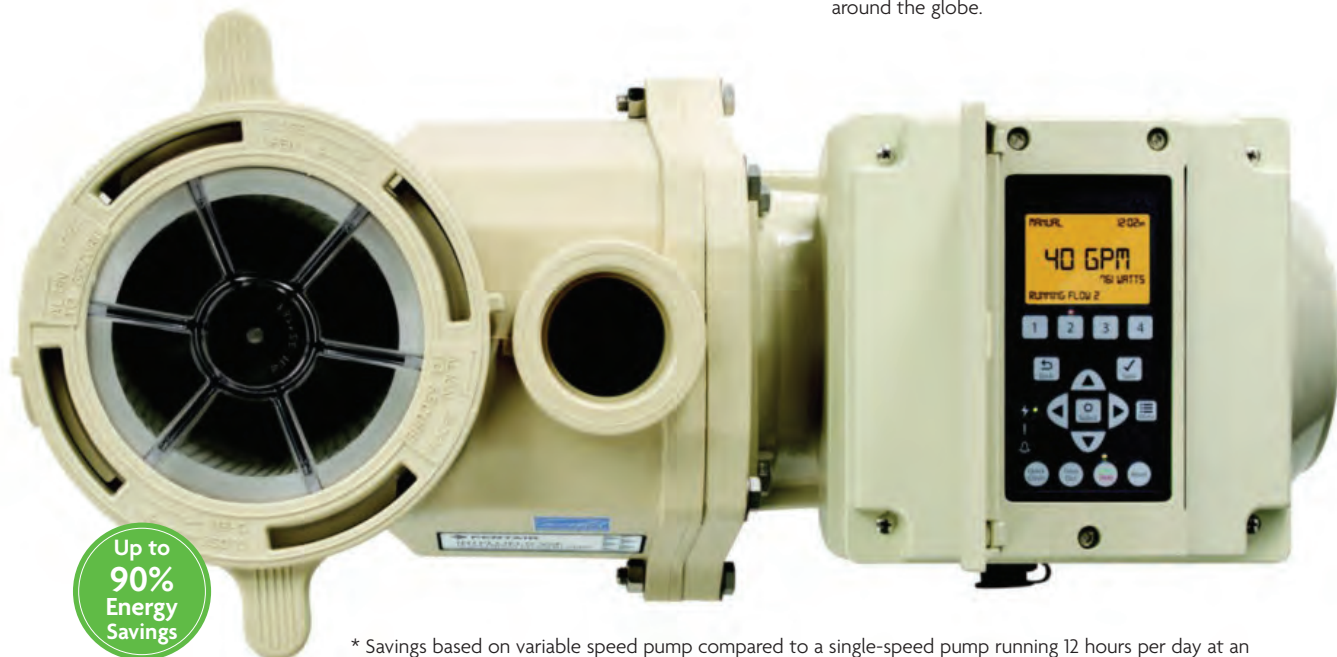


Automation compatible

Pair with the EasyTouch® or IntelliTouch® Automation Systems with ScreenLogic2® Interface and you can control your pool functions from across the yard or around the globe.

Set it and forget it

The IntelliFloXF VSF pump maintains its set flow rate, even as pool conditions change. It's like having cruise control for your pump.

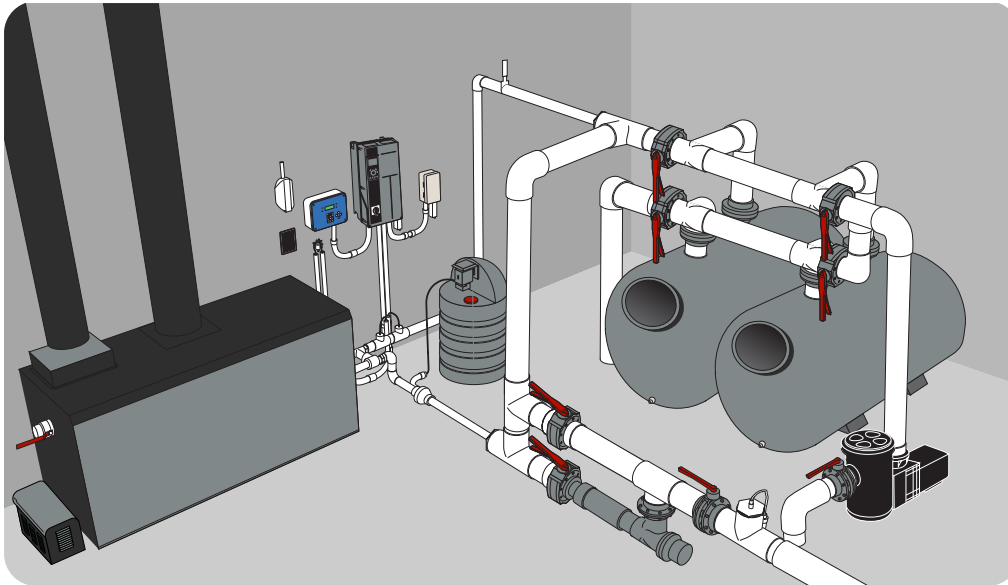


Up to 90% Energy Savings

* Savings based on variable speed pump compared to a single-speed pump running 12 hours per day at an average of \$0.16 per kWh in a 20,000 gallon pool. Actual savings may vary based on local utility rates, pool size, pump run time, pump horsepower, pump rpm, plumbing size and length, pump model, service factor and other hydraulic factors.

Large Mechanical Room

Complete System Solutions



EQ Series Pumps

Now with TEFC motors provide high performance efficiency



THS Series And Stark® Filters

Provide maximum filtration in proven technology



Bioshield® UV Sanitizers

Provide excellent secondary sanitizing system



ACU Drive XS VFD

Optimize performance for your Commercial pumps



Filter Manifold Kits

Feature clear automatic diaphragm or butterfly valves



Acu-Trol and IntelliChem Chemical Controllers

Provide proper chemical management



PowerMax® Heaters

PowerMax heater provides peak efficiency in both indoor and outdoor applications to 2,000,000 BTU's

[Click here to Connect with your Account Manager](#)

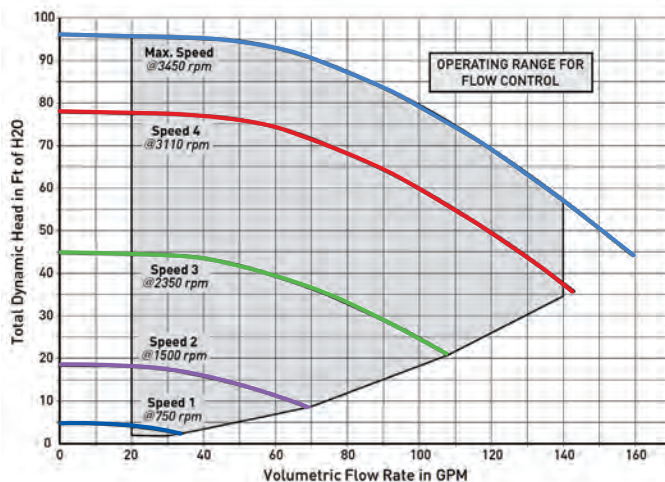
PENTAIR HIGH PERFORMANCE PUMPS



IntelliFlo® VSF High Performance Pump

- Eight programmable speed or flow settings and built-in timer
- Rotatable keypad with optional wall mount kit (sold separately)
- Top-mounted field wiring compartment is easier to access and connect
- Totally enclosed fan-cooled design for increased performance and long life
- Precisely maintains system flow requirements
- Compatible with Pentair Automation

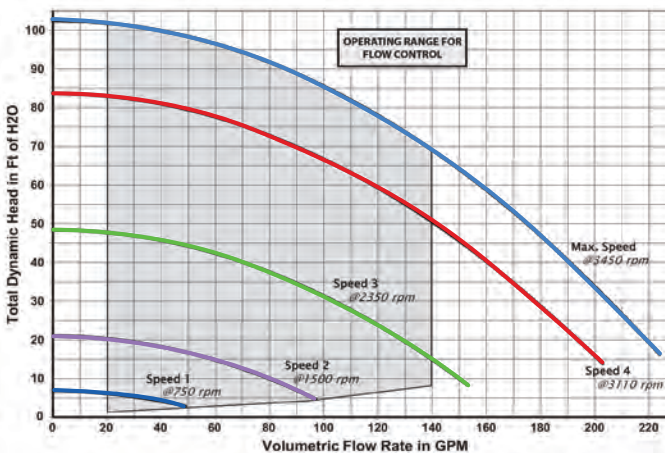
SKU	Voltage	Full Load Amps	kW	HP	SF	SFHP	FREQ.	Port Size (NPT)	Carton Wt. (Lbs)
40178	230	16	3.2	3	1.32	3.95	50hz/60hz	2" x 2"	55



IntelliFloXF® VSF High Performance Pump

- Eight programmable speed or flow settings and built-in timer
- Rotatable keypad with optional wall mount kit (sold separately)
- Top-mounted field wiring compartment is easier to access and connect
- Totally enclosed fan
- Union connectors included for connecting directly to 2.5" or 3" plumbing
- Precisely maintains system flow requirements
- Compatible with Pentair Automation

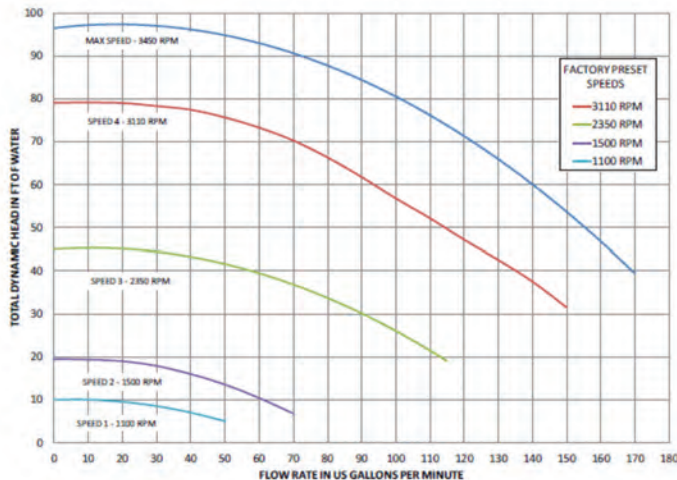
SKU	Voltage	Full Load Amps	kW	HP	SF	SFHP	FREQ.	Port Size (NPT)	Carton Wt. (Lbs)
40215	230	16	3.2	3	1.32	3.95	50hz/60hz	2.5" x 2.5" or 3" x 3"	58



IntelliFlo® VS+SVRS High Performance Pump

- Ability to program exact pump speeds for specific operations – filtering, heating, cleaning, spa jets, water features and more – reduces energy costs up to 90%
- Built-in diagnostics protect the IntelliFlo pump from the most common causes of premature failure
- Includes priming protection. No SVRS calibrations needed. Built-in SVRS cannot be turned off
- Compatible with Pentair Automation Systems
- Operates seamlessly on 50 hz or 60 hz input power Flow/speed are constant when operating on 50hz or 60 hz.

SKU	Voltage	Full Load Amps	kW	HP	SF	SFHP	FREQ.	Port Size (NPT)	Carton Wt. (Lbs)
40232	230	16	3.2	3	1.32	3.95	50hz/60hz	2" x 2"	55



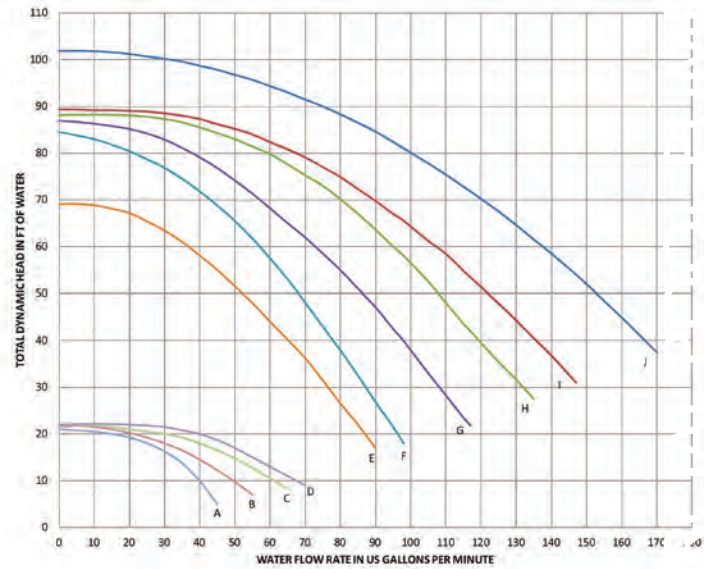


WhisperFlo® High Performance Pump

- Oversized strainer basket and volute – industry standard in pool pumps
- Standard and Energy-efficient Square Flange Motors available
- Lower HP's deliver higher performance than industry standard
- Compatible with all cleaning systems, various filters and jet action spas



SKU	Model	Voltage	Full Load Amps	HP	Curve Key
43492	WFE-6	230	10.4	1-1/2	F

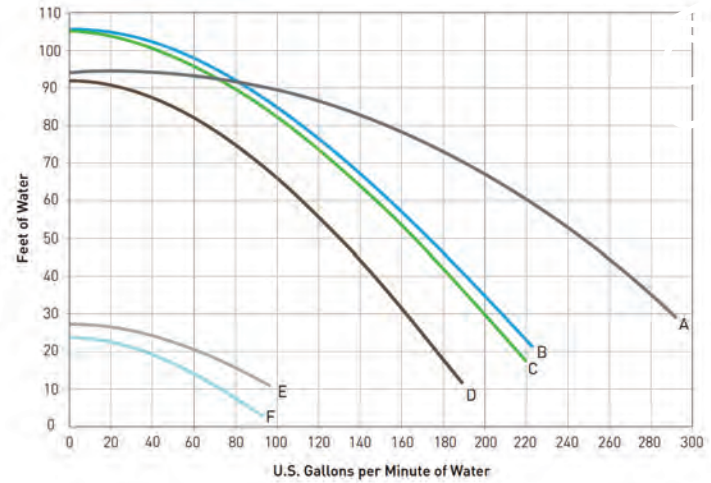


WhisperFloXF® High Performance Pump

- Drop-in replacement for all WhisperFlo® Pumps. Simple replacement for Challenger® Pumps*
- Hydraulic isolator separates priming water from pumping water for faster priming, more turbulent-free flow and increased efficiency
- Union connectors included for connecting directly to 2.5 in or 3 in plumbing



SKU	Model	Voltage	Full Load Amps	HP	Curve Key
305470	XFE-12	115/208-230	12.8/7.0-6.4	3	B
304909	XFE-20	115/208-230	14.8/7.8-7.4	5	A
40182	XFK-8	208-230	11.0-10.2	2	I
40183	XFK-12	208-230	15.0-13.6	2	H
323130	XFK-20	280-230	13.9-13.1/6.6	5	G



Is your pool ready for the July 2021 DEPARTMENT OF ENERGY new pool pump regulation?

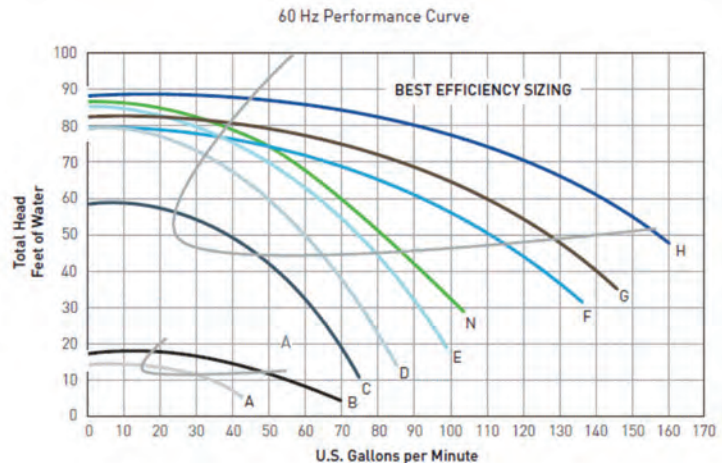


Max-E-Pro® Pump

The SuperMax pump from Sta-Rite features a commercial grade, 56 square flange motor for top performance in residential swimming pools. SuperMax pump is a superior drop-in replacement for Super Pump. The advantage for consumers is its quiet operation and economical performance. The benefits to pool professionals are its ease of installation and reliability. Union fittings are included and the pump easily drops in place.



SKU	Model	Voltage	Full Load Amps	HP	Curve Key
557802	P6E6D-205L	115/230	13.8/6.9	3/4	D

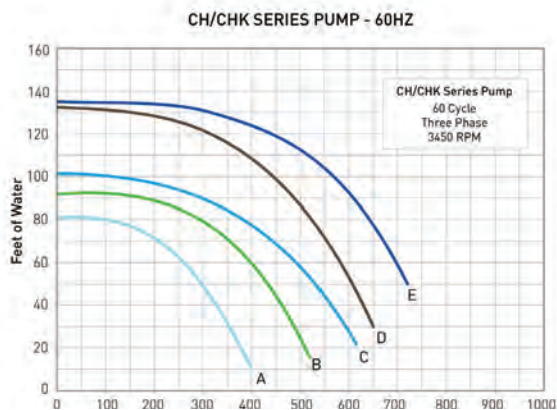
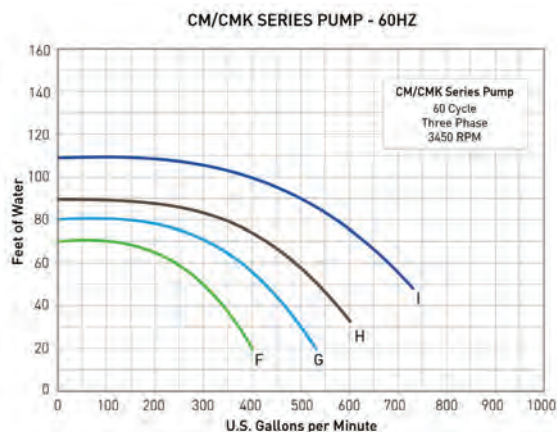




C Series® High Performance Commercial Bronze Pumps

For commercial and high-end residential swimming pools & other water applications. Available in flows to 740 gpm, & from 5 to 20 hp. The C Series pump is a heavy-duty pump specifically designed for large pools, fountains and water attractions that demand high-flow rates & continuous operation. With bronze construction and a stainless steel strainer basket, the C Series pump is perfect for the toughest indoor or outdoor projects. This pump's lasting efficiency, quiet operation, easy maintenance & durability has set the standard for medium & high-head performance in the pool industry for many years. Available with and without a hair & lint strainer.

SKU	Model	Voltage	Amps	HP	Curve Key
900950	CMK-50	220/440	13.0/6.5	5	F
317291	CHK-50	220/440	13.0/6.5	5	A
84557	CHK-75	220/440	18.4/9.2	7-1/2	B
84559	CHK-100	220/440	25.3/12.6	10	C
317295	CMK-150	220/440	37.5/18.8	15	I
84561	CHK-150	220/440	37.5/18.8	15	D
901686	CHK-200	220/440	49.0/24.6	20	E




 Is your pool ready for the July 2021 DEPARTMENT OF ENERGY new pool pump regulation?

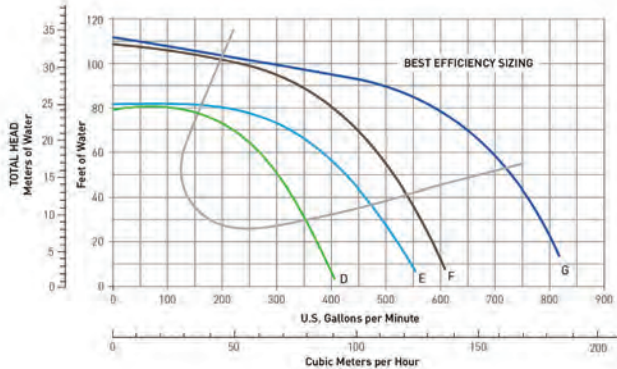


EQ Series TEFC Pump with Strainer

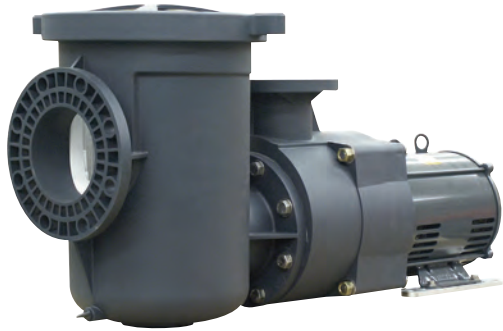
CSP Series™ Commercial Self-Priming Pump

For commercial and public swimming pools and spas, aquatic facilities, water parks and fountain applications where high performance and self-priming characteristics are desired. Rugged, self-priming CSP Series commercial pumps feature an enclosed bronze impeller, standard 6" x 4" flange connections, plus a 1,100 cubic inch capacity hair and lint strainer. Motors are standard JM type, NEMA® Rated "C" flange design with a stainless steel shaft sleeve. These cast iron pumps are available in 7-1/2, 10, 15 and 20 HP, and may be purchased with or without corrosion-preventing epoxy coating on all wetted surfaces. Pump and strainer sold separately.

S/O CSP Series Pump Strainer sold separately

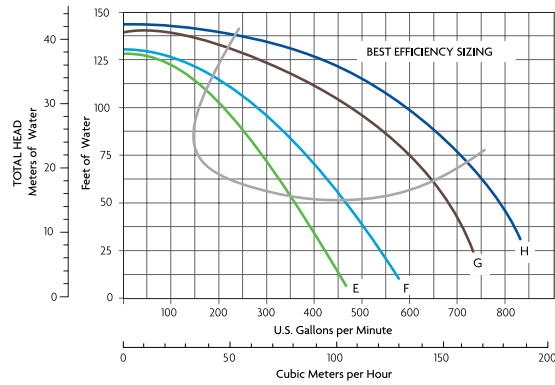


SKU	Model	Voltage	Amps	HP	Carton Wt (Lbs)	Curve Key
318115	CCSPH2K3-142	200	22.1	7-1/2	265	E
318116	CCSPH2L3-143	200	28.1	10	270	F
318117	CCSPH2M3-144	200	42.3	15	280	G
905701	CCSPH2N3-145	200	57.3	20	350	H



EQ Series® High Performance Commercial Pump

For commercial and high-end residential swimming pools and other water applications EQ Series pumps are designed for maximum efficiency and quiet operation in every detail. They are the only non-corrosive, all plastic pumps designed for the commercial pool and water applications market. The EQ Series pump impellers are manufactured for true breakthrough performance, allowing for lower loads and longer motor life. Available with and without the strainer pot. Available in flows to 800 GPM, and from 3 to 15 HP.



SKU	Model	Voltage	Amps	HP	Motor Class	Carton Wt(Lbs)	Curve Key
960711	EQKT-500	208-230/460	13.4-12.2/6.1	5	F	127	D
950431	EQKT-750	208-230/460	19.9-17/8.9	7.5	F	147	E
40149	EQKT-1000	208-230/460	26.4-23.5/11.7	10	F	193	F
950307	EQKT-1500	208-230/460	39.0-36.0/18.0	15	F	207	G



Auroa® 340 Series and 410 Series

Split case pumps for commercial pools, spas, and other water applications. The 340 and 410 Series are available in horizontal and vertical configurations in horsepower's to 150 and flows to 8,000 GPM.

- Multiple Configurations Available
- Models To 100 Ft. TDH
- Compatible With Acu Drive™ XS VF Drive
- Cast Iron Bronze Fitted Models
- Flooded Suction Applications
- Highly Reliable Performance

Model	Power	RPM	HP Range
2.5 x 3 x 9	3 PH	1800	7.5HP – 10HP
3 x 4 x 9B	3 PH	1800	15HP – 20HP
4 x 5 x 9A	3 PH	1800	7.5HP – 10HP
4 x 5 x 9A	3 PH	1800	15HP – 20HP
4 x 5 x 9B	3 PH	1800	7.5HP – 10HP
4 x 5 x 9B	3 PH	1800	15HP – 20HP
6 x 6 x 9	3 PH	1800	7.5HP – 10HP
6 x 6 x 9	3 PH	1800	15HP – 20HP
5 x 6 x 11	3 PH	1800	15HP – 20HP
5 x 6 x 11	3 PH	1800	25HP – 30HP
6 x 6 x 11	3 PH	1800	15HP – 20HP
6 x 6 x 11	3 PH	1800	25HP – 30HP

- Various Flow Capabilities For All Applications
- Epoxy Coating Option Available
- ODP And Tefc Motors In Standard And Premium Efficiency Available
- PS Series In-Line Strainers Match Up To Most Aurora Pumps
- Precision Cast, Dynamically Balanced, Enclosed Impeller Lasts Longer Than The Competition
- Case Wearing Ring Prevents Wear on Casing and is Easily and Inexpensively Replaced



1 YEAR WARRANTY

HCP 4000 Series Pumps

Hayward Commercial Pool's HCP self-priming pumps provide a technologically advanced alternative to traditional bronze or cast-iron pumps. Their lightweight Noryl® thermoplastic housings make one-man installation easy. The all-plastic housing construction and modern TEFC motor design afford a high level of protection and reliability in the commercial pump-room environment. A transparent lid with a tool-free opening mechanism allows visual inspection of the strainer basket, simplifying maintenance. Four pumps in the Hayward Commercial Series, ranging from 5.5 to 12.5 hp, allow right-sizing for most high-flow, medium head applications.

- Tool-free, quick-release bolted lid mechanism for fast and easy access to strainer basket
- ANSI Standard 50 Certified

1-year limited warranty
S/O



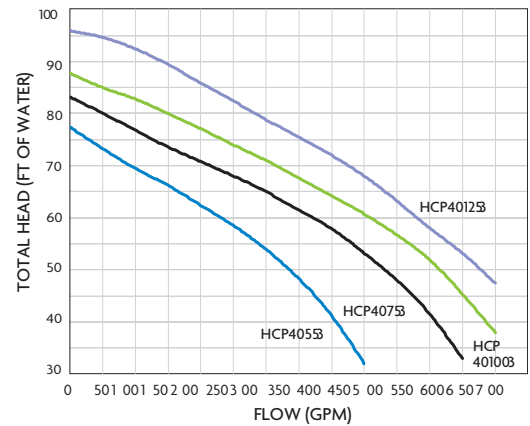
3 YEAR WARRANTY

HCP 3000 Series Pumps

HCP 3000 Series pumps are game changers in commercial pump performance and versatility. Engineered for heavy-duty durability, they set a new standard of flow rate for the 3" union class. A variety of power options, including single or variable speed, means you can provide the optimum solution for a wide range of pools, delivering maximum performance without compromising efficiency. Variable-Speed Pump Model.

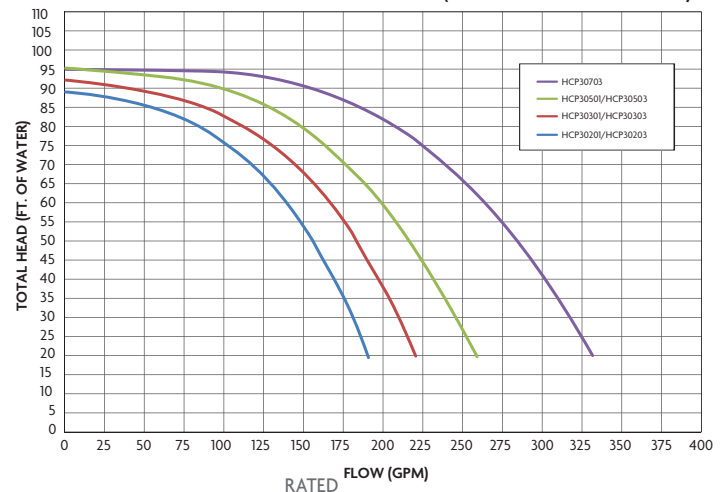
3-Year limited warranty on vsp models
1-Year limited warranty on single speed models
S/O

HCP SERIES PERFORMANCE DATA



SKU	PART #	RATED HP	VOLTAGE	AMPS
S/O	HCP40553	5.5	230/460 THREE PHASE	14.6/7.3
960098	HCP40753	7.5	230/460 THREE PHASE	21/10.5
S/O	HCP401003	10	230/460 THREE PHASE	26.1/13
905314	HCP401253	12.5	230/460 THREE PHASE	31.6/15.8

HCP 3000 SERIES PERFORMANCE DATA 60HZ (SINGLE- AND 3-PHASE MODELS)



SKU	PART #	HP	VOLTAGE	AMPS
950708	HCP3020VSP	2.7	230/460 THREE PHASE	10.9
950709	HCP30201	2.0	230/460 THREE PHASE	8.7-7.9
950707	HCP30301	3.0	230/460 THREE PHASE	11.7-11.5
950712	HCP30501	5.0	208-230V SINGLE PHASE, SINGLE SPEED	21.0-20.0
950710	HCP30203	2.0	208-230/460V THREE PHASE, SINGLE SPEED	7.8-7.6/3.8
904189	HCP30303	3.0	208-230/460V THREE PHASE, SINGLE SPEED	9.2-9.0/4.5
950713	HCP30503	5.0	208-230/460V THREE PHASE, SINGLE SPEED	13.6-13.2/6.6
950714	HCP30703	7.0	230/460V THREE PHASE, SINGLE SPEED	17.2-8.6



3 YEAR WARRANTY

HCP 2500 Series Pumps

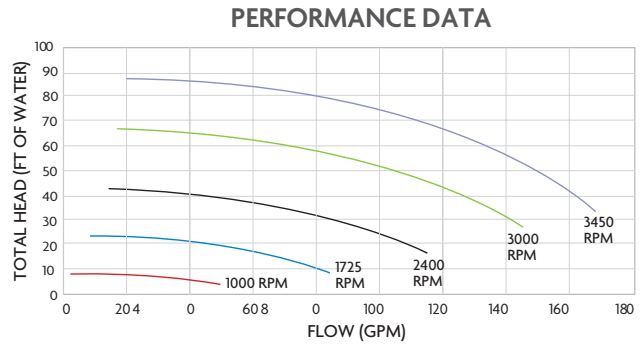
EcoStar® is the industry's most energy-efficient variable-speed pump. It's fully compliant with energy efficiency regulations such as Title 20 and APSP-15 with up to eight custom speed and timer functions, and it's settings can be "locked out" for authorized access only. EcoStar C's advanced hydraulic design moves water more efficiently, operating at lower RPMs to minimize noise and save pool operators up to 90% on energy costs. The system is available with or without integrated SVRS that is fully compliant with the Virginia Graeme Baker Pool & Spa Safety Act. **3-year limited warranty**

Option 1

Control interface can be rotated on the pump for convenient access and viewing.
950031

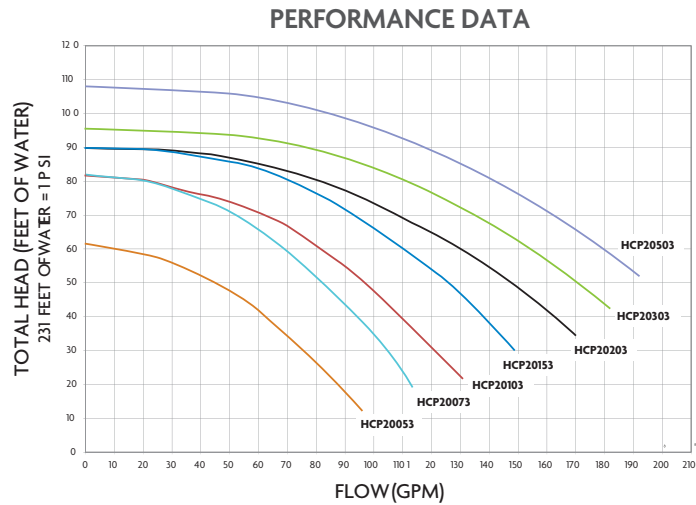
Option 2

For ultimate flexibility, detach the control interface and attach to wall using included mounting kit and communication cable.
902700



Tri Star VS C runs efficiently in all of these ranges.

PART #	DESCRIPTION	SPEED RANGE	VOLTAGE
HCP3400VSP	EcoStar C	600-3450 RPM	230V Single Phase
HCP3400VSPVR	EcoStar C SVRS	1000-3450 RPM	230V Single Phase



SKU	PART #	HP	VOLTAGE	AMPS
957559	HCP20053	.5	208-230/460 THREE PHASE	3.8-3.6/1.8
959570	HCP20073	.75	208-230/460 THREE PHASE	5-4.6/2.3
950031	HCP20103	1	208-230/460 THREE PHASE	6.4-5.8/2.9
956615	HCP20153	1.5	208-230/460 THREE PHASE	6.8-7/3.5
958835	HCP20203	2	208-230/460 THREE PHASE	8-8.4/4.2
950708	HCP20303	3	208-230/460 THREE PHASE	10.8-11.4/5.7
S/O	HCP20503	5	208-230/460 THREE PHASE	13.4/6.7



1 YEAR WARRANTY

HCP 2000 Series Pumps

TriStar® Pump features the industry's most energy efficient hydraulics with the 3 to 5 HP pumps providing unmatched performance in semi-commercial applications. Easy to install, service and maintain, TriStar outperforms the competition when it comes to flow, efficiency and value. It's the first to feature a large, no-rib strainer basket design that is quick and easy to clean.

1-year limited warranty
S/O

PUMP & MOTOR PARTS



O-Ring Kits

- New gaskets, seals and O-rings
- 65002 Hayward Super II & RS Pump
- 65005 Pentair Challenger Pump
- 65032 Pentair WhisperFlo Pump
- 65006 Sta-Rite Dura-Glas & Max-E-Glass
- 65774 Pentair BMV (American & PacFab)
- 65775 Hayward BWV SP410
- 65779 Jandy 3-Way Valve

Pool and Spa Lube

- Great for pumps, filters and more
- 68926 3 oz

Seals Plates

- 40736 Seal Plate P/F Challenger
- 40748 Seal Plate SR Duraglass
- other styles and manufacturers available*

Volutes

- 40867 DK Housing P/F Challenger
- 40817 DK Housing SR Duraglass
- other styles and manufacturers available*

Pump Lids

- 40545 Hayward SPX3100D
- 40559 Pentair Challenger 355301
- 40572 Pentair C3139P1

Pump Seals – Viton

- Replace pump seals each time motor is serviced
- 40676 PS100V
- 40677 PS200V
- 40678 PS201V
- 40679 PS1000V

Pump Motor Cover

- 38605

Volute Clamps

- 40217 Clamp Complete P/F Challenger
- 40222 Clamp SR Duraglass
- other styles and manufacturers available*

Knob

- 40529 Knob P/F Challenger Clamp
- 44831 Knob SR Duraglass Clamp
- other styles and manufacturers available*

Impellers

- 40392 Impeller 1.0 hp P/F Challenger
- 40509 Impeller 1.0 hp SR Duraglass
- other styles and manufacturers available*

Diffusers

- 40241 3/4-1.5 hp P/F Diffusers
- 40283 3/4-2 hp P/F Diffusers
- other styles and manufacturers available*

ENERGY EFFICIENT MOTORS



2-Speed Available
Keyed Shaft
also available



Threaded-Shaft Square-Flange

- Full-Rated HP and full-service factor



Single Phase

- 38708 3/4 hp
- 38709 1 hp
- 38710 1.5 hp

Three Phase

- 38711 2 hp

Threaded-Shaft Round-Flange

- Full-Rated HP and full-service factor



- 38714 1.5 hp
- 38715 2 hp

Pentair CVA24Y Valve Actuator

- 24 VAC, 3-Wire 25ft. and 120 Degree Rotation
- Prevents dead-heading of pumps
- Corrosion-proof enclosure
- Includes 25' cable
- Service switch (for flow direction)
- ETL recognized
- 607990 Pentair CVA24Y Valve

PCD-1000 Submersible Pump

Stainless Steel Submersible Pool Service Pump. The PCD-1000 Submersible Pump is designed for swift pool draining and utility applications. Debris and stones up to 3/4". will pass through the pump and an ample 1-1/4". An optional external float switch is included for automatic operation.

Is your pool ready for the July 2021 DEPARTMENT OF ENERGY new pool pump regulation?



EQ Series EEQK 500

This motor is a DE4 Close Coupled Pump. It is a full rated pool and spa motor that has an enclosure that is open drip proof. S/O



NMC Aqua Sheild Pro

This pool pump motors are designed with service professionals in mind. Easy to install. S/O



Neptune

1.65 Total Horsepower (THP) variable speed pool pump motor with premium efficiency. S/O



Affinity Pool Motor and Control

- Brushless Permanent Magnet Motor
- Multiple Sizes to Fit Pump Ratings
- S/O



Compool LX820 Controller

- Emergency Shut off
- Filter Pump and Jet Pump #1 Shut-Off
- Extra large emergency switch
- Low voltage operation for increased safety
- LED status indicators
- UL Listed

- 1-Year Limited Warranty
 - Optional Jet Pump #2 Shut-Off
- S/O Compool LX820



Increased Pump Performance

The Acu Drive XS VF drive offers built-in intelligence for increased performance in all aquatic pump applications. Specified to save energy, space, costs and time, the AcuDrive XS VF drive is built to be the heart of the pump room. With minimal payback time due to energy savings, the Acu Drive XS VF drive is equipped with a feature that continuously displays the time remaining until the drive pays for itself. Built with powerful standard and optional features specifically designed for energy optimization, the Acu Drive XS VF drive is perfectly matched with the full line of pumps by Pentair Commercial Aquatics™.



SAVE ENERGY • SAVE COSTS • SAVE SPACE • SAVE TIME

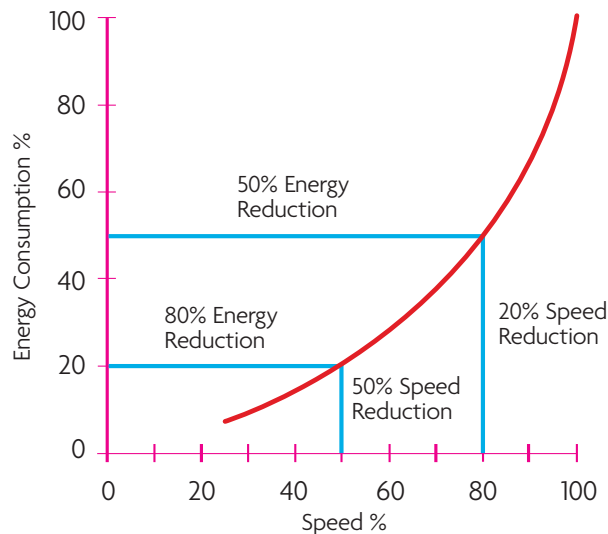
Acu Drive XS VF

- Save up to 60% or more on pump's electricity usage
- "Right-size" your pump to the exact flow required
- Saves energy with constant flow as the filter gets dirty (with optional flow sensor)
- Off-hour flow management capability
- Does not blow corrosive filter-room air across the circuitry
- High efficiency up to 98% – adjusts drive input voltage for best efficiency point
- Eliminates need for motor starters
- Integrated disconnects, fusing and optional bypasses
- 2-step ramps (Soft Start Feature)
- Real-time clock for time based functions
- Great match for 3-phase models of EQ Series® Pumps
- Overload trip protection protects motor & Acu Drive XS VF Drive from Voltage Spikes & phase unbalance
- Can connect to an IntelliTouch® Automation System
- Up to a six year on-site warranty available
- Start-up included with every drive (technical training option available)
- Indoor & Outdoor-rated enclosures
- One drive type for the full power range
- For use with 3 phase pumps only
- Acu Drive XS VF Drives with single phase input power available

S/O Acu Drive XS VF

Ideal Energy Consumption at Varying Speed

Significant Energy Savings are achieved with even a modest speed reduction





HRV Series Side Mount Media Filter

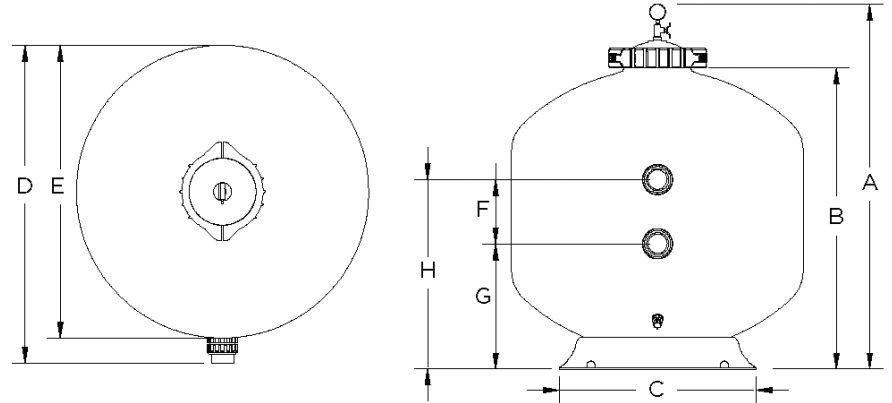
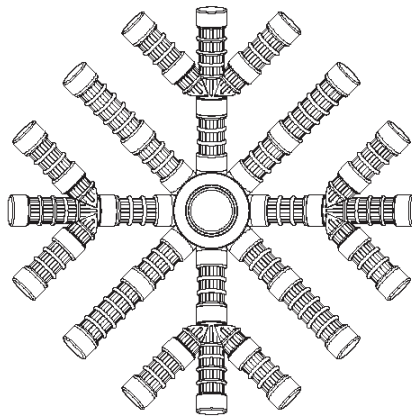
Waterco HRV fiberglass filters embody the latest in fiberglass winding technology. The HRV series filters are constructed from anticorrosive, nontoxic materials and are engineered to withstand the high flow and pressures of todays pool and industrial systems.

- Internal Bulkhead Wall reinforced for structural integrity
- Reinforced neck ring and solid closure
- 2" Multiport Valve, with 2" Bulkhead connections
- Fishtail Lateral improves backwashing hydraulic efficiency
- 10 year tank warranty



Waterco's Fishtail Lateral Underdrain:

- Better coverage eliminates dead space
- Engineered to improve backwash efficiency
- Reduces filtration pressure loss
- In combination with Waterco's glass pearls saves up to 30% of the backwash water



Dimension (in)

Filter Model	A	B	C	D	E	F	G	H
HRV 18	32.66	24.70	17.06	21.72	18.64	7.99	9.25	17.24
HRV 24	37.59	29.62	19.04	27.72	24.64	7.99	11.61	19.61
HRV 30	40.06	32.09	24.55	34.22	31.14	7.99	12.24	20.24
HPV 36	45.47	37.50	24.55	39.59	36.50	7.99	15.63	23.62

Technical Specification

Filter Model	Valve Size	Bed Depth	Filter Area	Filtration Flow Rates		Backwash Flow Rates		Media Volume	Sand 16/30	Glass Pearl	
				5GMP/ft ²	100 GPM/ft ²	Cubic Ft	0.6-1.2 lb				0.6-0.8 lb
301070	HRV 18	2	14	2.17	11	22	33	43	1.80	180	200
301071	HRV 24	2	14	3.14	16	31	47	63	3.00	300	330
301072	HRV 30	2	14	4.19	25	49	74	98	5.00	500	550
301073	HRV 36	2	14	7.07	35	71	106	141	8.00	800	880

- Fiberglass filament wound tank
- 2" Multiport Valve included - Part# 2290590
- 2" bulkhead connections
- 50 psi maximum operating pressure
- Exclusive "Fishtail" lateral underdrain system



SM Waterco Commercial Fibreglass Vessel

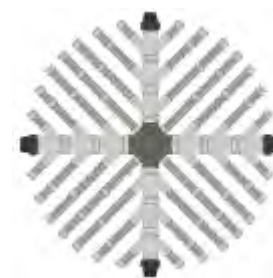
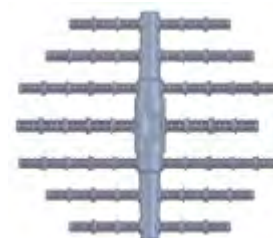
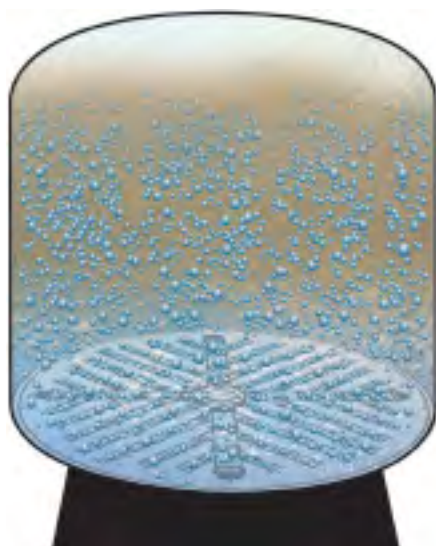
Waterco Commercial Fibreglass Vessels embody the latest in fibreglass winding technology. Waterco Commercial Vessels consist of an inner shell of fibreglass reinforced polyester resin wound over with fibreglass filament. Waterco's digitally controlled filament winding faultlessly winds continuous strands of high quality fibreglass filament under controlled tension to create a refined consistency and superior quality. There are no special tank linings which can corrode or electrolyse.

- Fibreglass wound tank, UV and Corrosion Resistant
- Hydraulically balanced laterals to maximise water flow and filtration
- Optional six position Multiport valve with sight glass and quick connect half unions
- Available in filter areas of 1.13m² to 2.01m²
- Pressure rated at 250 kPa (36 psi), 400 kPa (58 psi), 600 kPa (87psi) and up to 800 kPa (116 psi)
- Maximum working temperature of 50°C (122°F) Optional sight glasses and lateral man holes
- Optional fibreglass reinforced vinyl ester for improved chemical resistance



Specifications

Filter Model	Port Size	Bed Depth	Filter Area	Tank Diameter	Overall Height	Filtration Flow Rates		Backwash Flow Rates		Media Volume	Sand 16/30	Glass 0.6-0.8
	Inches	Inches	Feet	Inches	Inches	5 GMP/ft ²	10 GMP/ft ²	15 GMP/ft ²	20 GMP/ft ²	Cubic Ft	lb	lb
						Flux Rate		Flux Rate				
SM36 - 3"	3.0	15.00	7.05	36	42	35.3	70.5	105.8	141.0	10.42	950	1051
SM42 - 3"	3.0	18.50	9.83	42	49	49.2	98.3	147.5	196.6	16.20	1477	1634
SM48 - 3"	3.0	19.69	13.40	48	58	67.0	134.0	201.0	268.0	27.09	2469	2731



Conventional laterals are not suitable for large-scale commercial filters as "dead legs" exist between the laterals, which compromises water flow through the filter bed. Waterco's unique "fish tail" lateral configuration eliminates this problem by providing effective coverage of the filter bed and balanced water flow.

HAYWARD FILTERS



Hayward Commercial Sand Filters

- Tool-free, twist-lock, threaded-free dome-tip lid with O-ring seal
- Commercial grade, 1.5" one-piece injection molded, 360 degree slotted laterals arranged in a grid array provide superior filtration performance
- Large 9" top opening for easy media loading and filter inspection
- Full 2" bottom drain including a 3/8" integral water drain with media screen
- Factory-built manifolds available for configuring banks up to 6 filters

84629	34" with 2" Threaded Connection
84630	34" with 3" Threaded Connection
S/O	34" with 3" Flange Connection
84632	36" with 2" Threaded Connection
84633	36" with 3" Threaded Connection
S/O	36" with 3" Flange Connection



ProsSeries Plus Semi-Commercial Sand Filters

- Durable, flanged inspection cover provides convenient access to top of filter
- Unitized, corrosion-proof, spherical filter tank molded of rugged, colorfast polymeric material for maximum strength and longer life
- Optional valve and coupling selections for plumbing ease and versatility. Choose from 6-position VariFlo® valve or 1 1/2" socket x 2" slip connectors for multiple (tandem) filter installations

950702	without Valve
306356	31" with 2" Slide Valve
42088	36" without Valve



Hayward Commercial Cartridge Filter

- Extra-long filter cycles, up to 35% longer than 500 sq ft models
- Heavy-duty dirt-holding capacity
- No backwashing: Save up to 92% on rinse vs. backwash, which can translate to thousands of gallons per season
- No multi-port valve: considerably less flow restriction improves overall system's energy efficiency
- Combination pressure and filter cleaning cycle indicator
- CPVC Union coupling connection provides 2" x 2 1/2" piping with 2" full flow internal piping

42053 700 sq ft

Largest capacity cartridge Filter: 700 sq ft



Hayward D.E. Filters

- Pro-Grid vertical grid D.E. filters provide superior water clarity, efficient flow and large capacity
- Self-aligning tank top and bottom make servicing the grid elements fast and simple
- Multi-port valve and D.E. sold separately

342052	36 sq ft
342054	48 sq ft
342056	60 sq ft



Hayward SwimClear Cartridge Filters

- New, stronger PermaGlass XL tanks are durable enough to meet the demands of the toughest applications
- Easy to maintain Quad-Cluster cartridge elements in 325, 425 or 525 sq ft sizes
- Larger heavy-duty cartridge elements for extra long filter cycles
- Self-aligning tank top and bottom make servicing the elements fast and simple
- No valves or backwashing necessary

342048	325 sq ft
342049	425 sq ft
342051	525 sq ft

HAYWARD HCF SAND FILTER VALVES



3" Multiport Valve Kit

Rated for a maximum flow of 325 GPM, the Hayward 3" Multiport Valve is the perfect complement to the Hayward HCF343T and HCF363T commercial sand filters. For optimum flexibility in the commercial setting, the valve features 3" NPT ports for in-filled configuration and plumbing. The six-position valve facilitates selection of filter, backwash, waste, rinse, closed or recirculate modes at the turn of a single lever.

42065	Valve Only
42067	Valve Plumbing Kit

Centrifugal Water Filtration

The MultiCyclone works on the basis of centrifugal water filtration. There are no moving parts to wear and tear, and no filter media to clean or replace.

Waterco's award winning MultiCyclone is a brilliant 1st Stage Industrial Filtration device that works on the basis of centrifugal water filtration and is designed with no moving parts and no filter media to clean or replace.



- Minimizes filter maintenance and saves water
- No filter media to clean or replace
- Suitable for new and existing installations
- 2 year warranty



MultiCyclone Featured Highlights

- 2" quick fit union
- UV and corrosion resistant
- Hydraulically efficient design
- 16 multiple hydro cyclones
- Glass filled reinforced thermoplastic
- Lock ring
- Clear poly carbonate sediment chamber
- 1" sediment purge valve

Model	Connection Ports	Minimum Flow	Maximum Flow	Maximum Pressure
42290	37.59	29.62	19.04	27.72

1. Incoming water enters 16 hydro cyclones tangentially, generating a strong centrifugal effect.
2. The sediment is spun out to the hydro cyclone's wall, and then spirals down to the sediment chamber*.
3. The filtered water migrates towards the center of the hydro cyclone where the flow reverses and spirals upwards through the outlet.
4. Accumulation of sediment can be visibly monitored through the MultiCyclone's clear sediment chamber.

*Note: The MultiCyclone is designed to filter sediment that is heavier than water, floating debris cannot be filtered out by centrifugal filtration.

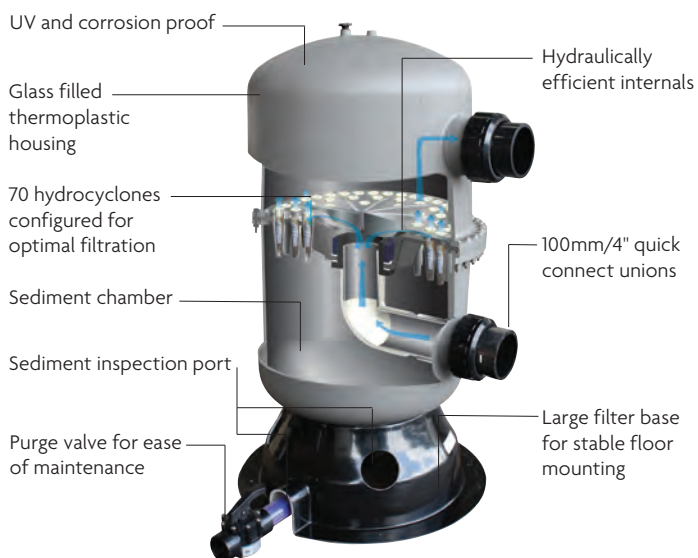
WATERCO MULTICYCLONE 70 XL FILTER

1st Stage Industrial Centrifugal

The MultiCyclone Commercial 70XL is a new addition to the MultiCyclone range. Although very different in appearance to the previously released models, this unit still has all the water and energy saving benefits of the standard MultiCyclone model. Specifically designed for commercial installations, the MultiCyclone Commercial has 4" ports and uses 70 cyclones allowing it to function with a flow rate of 423 gpm. The debris can be seen through the clear sight glass and flushed out of the purge valve.

- Ideal for new and existing installations
- Dramatically reduces waste water
- Extends filter cycles by at least 4 times
- No filter media to clean or replace
- Simple installation
- Works with all equipment brands
- 2 year warranty

Model	Connection Size	Minimum Flow	Maximum Flow	Maximum Pressure
905100	4"	105	423	50



1. Incoming water enters 70 hydro cyclones tangentially, generating a strong centrifugal effect.
2. The sediment is spun out to the hydro cyclone's wall, and then spirals down to the sediment chamber*.
3. The filtered water migrates towards the centre of the hydro cyclone where the flow reverses and spirals upwards through the outlet.
4. Accumulation of sediment can be visibly monitored through the MultiCyclone's inspection ports.
5. The MultiCyclone is easily cleaned by opening its purge valve. Only 300 liters of water is discharged to cleanse the MultiCyclone.

*Note: The MultiCyclone is designed to filter sediment that is heavier than water, floating debris cannot be filtered out by centrifugal filtration.



[Click here to Connect with your Account Manager](#)



High Capacity Fiberglass Side Mount Sand Filter Without Valves



Triton Featured Highlights

- Maximum Operating Pressure 50 psi
- Full 2 in. Drain
- 8" opening for easy access to sand bed
- The Triton C-3 features standard 3" flange connections
- TR 100C-3 & TR 140C-3 models are available in black only

This filter series features multiple diverters for increased filtration rates in commercial applications up to 20 GPM/sq. ft.

Triton C Sand Filters

- Available with 2" or 3" flange connections
- Maximum operating pressure 50 psi
- Large 8" top opening for easy access to sand bed
- No special adapters necessary with flange connections
- Perfect for installing a series of filters in tandem for large bodies of water
- Full 2" drain for easy cleaning & changing sand
- Valve not included

84496 TR100C 4.91 sq ft 30"
84497 TR140C 7.06 sq ft 36"

Triton C-3 Sand Filters

- Available with 2" or 3" flange connections
- Maximum operating pressure 50 psi
- Large 8" top opening for easy access to sand bed
- No special adapters necessary with flange connections
- Perfect for installing a series of filters in tandem for large bodies of water
- Full 2" drain for easy cleaning & changing sand
- Valve not included

84498 TR100C 3" Flng 4.91 sq ft 30"
84499 TR140C 3" Flng 7.06 sq ft 36"



Triton HD Side Mount Filters

- All the same great performance and features of the original Triton filter with maximum operating pressure of 75 psi for those special high pressure installations such as single pump in-floor cleaning systems
- 369311 Tank w/ft TR100 HD



Triton Tandem Filter Kits

- Designed to connect two Triton filters
- Kits contain: 12 flanges; 4-butterfly valves; 4-pack of 3" bolts with gaskets; 4-SXSXS tees; 4-45 degree elbows; 4-valve stud pack; three, 2" saddle SKTs and one, 2" flange SKT
- Filter "adder" kits are also available to connect additional filters if more than two filters are necessary (call for more information)

84462 3" Pipes schd 40 2 C-filters
84465 6" Pipes schd 80 2 C-filters
84466 3" Pipes schd 40 2 C3-filters
90114 4" Pipes schd 40 2 C3-filters
900004 4" Pipes schd 80 2 C3-filters
951042 6" Pipes schd 80 2 C3-filters
For Additional Filters S/O Adder Kits

Pentair Quad D.E. Filters

- Four large-capacity cartridges provide maximum filter surface area for greater dirt-trapping capacity and longer periods between cleanings
- Unique internal flow path ensures optimum filtration and backwashing efficiency
- Chemical resistant, fiberglass reinforced polypropylene tank for exceptional strength and long life

43507 CO Quad D.E. 60 Sq ft Filter
 43508 CO Quad D.E. 80 Sq ft Filter
 43509 CO Quad D.E. 100 Sq ft Filter



System 3 Modular

D.E. Filters

- Typical Installations – Inground pools, inground hot tubs, and water features
- Quality Construction – Durable 2-piece tank housing constructed of Dura-Glas™, Sta-Rite's industry leading glass-reinforced composite resin
- Modular Filter Tanks – Allows for quick change of filter medias without changing the tank

300205 Sta-Rite S7MD60
 300206 Sta-Rite S7MD72



System 3 Modular

Medium Filters

- Typical Installation – Inground pools, inground hot tubs, and water features
- Low Maintenance – Complete media coverage combined with shallow pleats means greater dirt holding capabilities, resulting in longer filter cycles and less cleaning
- Dual Drain Plugs – Side plug available for plumbing to waste, while the bottom plug will drain entire filter

300202 Filter 300SF 50-100GPM
 300203 Filter 400SF 50-115GPM



Pentair Clean & Clear Plus Filters

Clean & Clear® Plus Filters have a corrosion resistant injection molded filter tank featuring superior strength and reliability. The cartridge assembly uses four easy to clean, non-woven, polyester cartridges. Each filter is supplied with a bulkhead union set for easy installation

42043 CCP240 90GPM
 42044 CCP320 120GPM



Installation available in most areas



PENTAIR FILTER VALVES



84500



44923

Backwash Valves for 1-1/2" & 2" D.E. and Sand Filters

Side mounted HiFlow™ and Multiport Valves are designed for maximum performance and working pressures. Available in 1-1/2" and 2" threaded or slip models.

- PVC body
- Special winterizing position
- The right valve for easy operation
- Six-position, positive-lock operation

84500 HiFlow Valve Kit
 44923 PVC Slide Valve Kit
 84512 Multiport Valve Kit
 324808 FullFloXF™ Backwash Valve Kit

Backwash Valve for Side Mounted Sand and D.E. Filters

The side mounted HiFlow valve is designed for maximum performance and working pressures. Available in 2" slip models.

- PVC body
- Large, one-piece handle for trouble-free operation
- Six-position, positive-lock operation
- Noryl heavy-duty diverter

602278



84512



324808



602278



44073

Backwash Valves for D.E. and High-Rate 8" Centerline Sand Filters

Pre-plumbed Push Pull and Multiport Valves are complete with bulkhead unions for simple installations with filters. The 1-1/2" Side Mount Multiport Valves are rated at 100 GPM to accommodate most installations. The 2 in. Side-Mount MPV is rated at 125 GPM. Push Pull valves are 2" socket. All valves are 100% factory tested.

- 60 GPM (1-1/2" side mount)
- 125 GPM (2" side mount)
- Site glass included (MPVs)

602235 2 in Multiport for DE Filters
 44073 Push Pull Valve for Sand and DE



602235



Multiport Valve



505113

ABS Slide Valves/ Multiport Valves Side Mount

Two-position backwash valves have minimal flow restriction. Innovative handle design allows easier operation; pin locks valve in filter position. Connects directly to side ports in D.E. or sand filters with 2" PVC unions.

505113 Push Pull Valve
 S/O Multiport Valve Various Configurations

FILTER REPLACEMENT CARTRIDGES & GRIDS



More Sizes to Choose From!

Pentair Cartridges

- 46056 CCP320 each
- 46058 CCP420 each
- 46060 CCP520 each

Harmsco Filters

- 46125 Red Top each



D.E. Grids For Anthony Filter

- 46415 19" Round each
- 46323 13.5" x 24" each
- 46326 17.5" x 24" each

D.E. Grids For Purex Filter

- 46347 36 sq ft each
- 46350 48 sq ft each
- 46355 60 sq ft each
- 46356 72 sq ft each

Universal Grids For D.E. Filters

- 46500 24 sq ft full each
- 46502 36 sq ft full each
- 46504 48 sq ft full each
- 46506 60 sq ft full each
- 46508 72 sq ft full each
- 46510 24 sq ft partial
- 46512 36 sq ft partial
- 46514 48 sq ft partial
- 46516 60 sq ft partial
- 46518 72 sq ft partial

CLEANERS & MEDIA



Spray & Rinse

- Simply spray it on and rinse it off
- 14390 16 oz



Cartridge Cleaner

- Specially formulated surfactant to remove oils from cartridge filter elements
- Ideal for pool and spa cartridges
- 14225 1 qt
- 14227 1/2 gal



Sand Filter Revitalizer

- Simply pour through skimmer during each backwash
- Degreases & "loosens" sand bed by removing caked on organics & inorganics
- 86164 Kit (12 x 1 qt)



Dr. Dryden's Activate

- Up to 300 times more surface area than sand
- Attracts & captures harmful bacteria & prevents the growth of bacteria & algae
- 902029 Grade 1 Fine 25 lb



Low Dust Formula

Diatomaceous Earth

- Specifically formulated for pools
- 14314 24 lb Bag
- 14698 Scoop for D.E.
- Additional freight may be required*



Cellulose Fiber

- The SAFE alternative to Diatomaceous Earth (D.E.)
- Environmentally friendly; nontoxic; biodegradable; filters finer than D.E.!
- 14341 3 lb Bag



Natural Zeolite Sand

- Strong and environmentally safe
- Catches very small particles which helps to reduce eye irritation
- Lowers the amount of chemicals used to keep your pool looking great
- 14344 25 lb Bag



Silica Filter Sand

- 14699 50 lb Bag
- 14700 50 lb Bag (CA only)
- 81188 250 lb Kit (5 x 50 lb bags)
- Additional freight may be required*

No More Clogged Flowmeters!

Rola-Chem's Flowmeters Have A Wide Chamber That Greatly Reduces Mineral Deposits By Allowing Higher Flow Volume

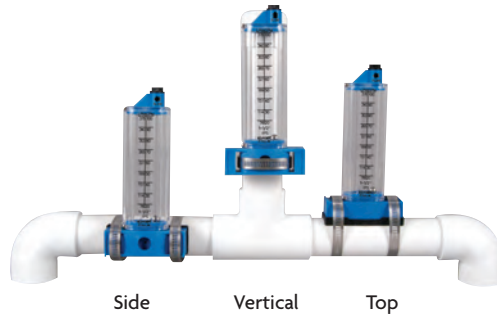
Designed to be compatible with practically every existing flowmeter, replace your old clogged flowmeters with these accurate, easily serviced units from Rola-Chem.

ACCURATE READINGS

- Our heavy-duty gasket ensures airtight seals

VISUAL INDICATOR

- Calibrated on both sides in gallons and liters per minute



SERVICEABLE

- Easily open and remove calcium deposits, if necessary

FULL RANGE MOUNTING

- Side 1" to 8", vertical 1" to 8" or top 1" to 8"; vertical mount is available in up or down reading, please specify when ordering
- Requires 3/4" diameter hole in pipe

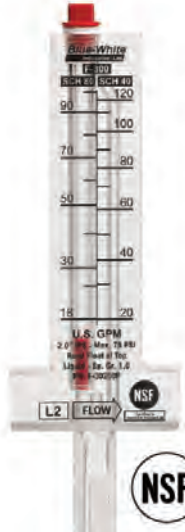
EASY-TO-READ BOBBIN

- 316 stainless steel ball prevents corrosion

FLOWMETER SPECIFICATIONS - MINIMUM DIMENSIONS

SKU	PIPE MATERIAL	PIPE SIZE	A* MINIMUM	B** MINIMUM	RANGE GPM	RANGE LPM	CLAMP SIZE	MOUNT POSITION
315998	PVC-GALV	1"	5"	10"	10-30	38-114	40	T
400362	PVC-GALV	1.25"	6"	11"	15-50	57-189	44	T
200953	PVC-GALV	1.5"	8"	15"	25-60	95-227	44	T
200559	PVC-GALV	2"	10"	20"	40-140	151-530	56	T
903473	PVC-GALV	2.5"	13"	25"	70-240	265-908	64	T
401806	PVC-GALV	3"	15"	30"	100-300	379-1136	64	T
400371	PVC-GALV	4"	20"	40"	175-500	662-1893	44 (2)	T
400371	PVC-GALV	6"	30"	60"	400-1050	1514-3975	64 (2)	T
903030014	PVC-GALV	8"	40"	80"	700-1900	2650-7192	72 (2)	T

BLUE-WHITE FLOWMETERS



F-300 Flowmeter

- Highly accurate (5%)
- Installs in 2 minutes or less
- Mounts on existing pipe, no unions or adapters
- Ships complete with gasket and mounting clamps
- Straight run of pipe reduced

F-300 Flowmeter

Optional Flow Switch is designed to detect flow / no flow when the new F-300 flowmeter PVDF float enters the alarm trigger zone of the F-300S sensor. The built-in dry contact switch closes - providing a trigger to external devices.

Models Include:

F-300SL: 1 - 2" pipe size

F-300SL: 2 1/2" - 4" pipe size



F-300S Flow Switch

Is your circulation pump working properly? Is your filter clogged? F-300S takes the guesswork out!



F-300 shown with optional F-300S Flow Switch

MODEL NUMBER	PIPE SIZE	PIPE MATERIAL	SCH 40	SCH 80 (GMP)
F-30100*	1" IPS	PVC	5-35 GMP	4-26 GMP
F30125P	1.25" IPS	PVC	9-50 GMP	8-40 GMP
F30150*	1.5" IPS	PVC	10-70 GMP	10-60 GMP
F-30200*	2" IPS	PVC	20-120 GMP	18-100 GMP
F-30250P	2.5" IPS	PVC	29-150 GMP	25-130 GMP
F-30300P	3" IPS	PVC	45-240 GMP	40-215 GMP
F-30400P	4" IPS	PVC	79-420 GMP	70-375 GMP
F-30600P	6" IPS	PVC	170-1100 GMP	160-1000 GMP
F-30800P	8" IPS	PVC	300-2200 GMP	275-1950 GMP



Saddle Mount Fitting

F-1000 Paddlewheel Flowmeter

For vertical or horizontal installation. Easy to install, easy to operate. The BW DIGI-Meter® F-1000 is an excellent choice for accurate flow measurement.

[Click here to Connect with your Account Manager](#)

VALVES



**COMPACT BALL VALVES
QVC SERIES**

- Pressure Rating 150 psi
 - EPDM Seals
 - Santoprene® Seats
- S/O Compact Ball Valve
Available in Gray or White

PART NUMBER	SIZE/DESCRIPTION	PART NUMBER	SIZE/DESCRIPTION
QVC1005SEEG	.5" Socket Gray	QVC1005TSEG	.5" Threaded Gray
QVC1010SSEG	1" Socket Gray	QVC1010TSEG	1" Threaded Gray
QVC1015SSEG	1.5" Socket Gray	QVC1015TSEG	1.5" Threaded Gray
QVC1020SSEG	2" Socket Gray	QVC1020TSEG	2" Threaded Gray
QVC1025SSEG	2.5" Socket Gray	QVC1025TSEG	2.5" Threaded Gray
QVC1030SSEG	3" Socket Gray	QVC1030TSEG	3" Threaded Gray
QVC1040SSEG	4" Socket Gray	QVC1040TSEG	4" Threaded Gray
QVC1005SSEW	.5" Socket White	QVC1005TSEW	.5" Threaded White
QVC1010SSEW	1" Socket White	QVC1010TSEW	1" Threaded White
QVC1015SSEW	1.5" Socket White	QVC1015TSEW	1.5" Threaded White
QVC1020SSEW	2" Socket White	QVC1020TSEW	2" Threaded White
QVC1025SSEW	2.5" Socket White	QVC1025TSEW	2.5" Threaded White
QVC1030SSEW	3" Socket White	QVC1030TSEW	3" Threaded White
QVC1040SSEW	4" Socket White	QVC1040TSEW	4" Threaded White



**True Union Compact
Ball Valves QTA Series**

- Pressure Rating 150 psi
 - EPDM Seals
 - Santoprene Seats
- S/O Compact Ball Valve

PART NUMBER	SIZE/DESCRIPTION	PART NUMBER	SIZE/DESCRIPTION
QTA1010CSEG	1" Socket/Threaded Gray	QTA1010CSEW	1" Socket/Threaded White
QTA1015CSEG	1.5" Socket/Threaded Gray	QTA1015CSEW	1.5" Socket/Threaded White
QTA1020CSEG	2" Socket/Threaded Gray	QTA1020CSEW	2" Socket/Threaded White



**True Union
PVC Ball Valves
TBB Series**

- Pressure Rating 225 psi
 - EPDM Seals
 - PTFE Seats
- S/O PVC Ball Valve

PART NUMBER	SIZE/DESCRIPTION	PART NUMBER	SIZE/DESCRIPTION
TBB1005CPEG	.5" Socket/Threaded	TBB1012CPEG	1.25" Socket/Threaded
TBB1007CPEG	.75" Socket/Threaded	TBB1015CPEG	1.5" Socket/Threaded
TBB1010CPEG	1" Socket/Threaded	TBB1020CPEG	2" Socket/Threaded



**True Union
PVC Ball Check Valves
TC Series**

- Pressure Rating
150 psi: 2 1/2" – 6"
235 psi: 1/2" – 2"
 - EPDM Seals
- S/O PVC Ball Check Valve

PART NUMBER	SIZE/DESCRIPTION	PART NUMBER	SIZE/DESCRIPTION
TC10050STE	.5" Socket / Threaded	TC10200STE	2" Socket / Threaded
TC10075STE	.75" Socket / Threaded	TC1250TE or SE	2.5" Socket or Threaded
TC10100STE	1" Socket / Threaded	TC1300TE or SE	3" Socket or Threaded
TC10125STE	1.25" Socket / Threaded	TC1400TE or SE	4" Socket or Threaded
TC10150STE	1.5" Socket / Threaded	TC1600FE	6" Flanged



**True Union PVC Ball
Valves TB Series**

- Pressure Rating
250 psi: 1/2" – 2"
235 psi: 2 1/2" – 4"
150 psi: 6"
- S/O PVC Ball Valve

PART NUMBER	SIZE/DESCRIPTION	PART NUMBER	SIZE/DESCRIPTION
TB1050STE	.5" Socket / Threaded	TB1400TE or SE	4" Socket or Threaded
TB1050ST	.5" Socket / Threaded	TB1400T or S	4" Socket or Threaded
TB1075STE	.75" Socket / Threaded	TB1600FE	6" Flanged
TB1075ST	.75" Socket / Threaded	TB1600F	6" Flanged
TB1100STE	1" Socket / Threaded	TB1200STE	2" Socket / Threaded
TB1100ST	1" Socket / Threaded	TB1200ST	2" Socket / Threaded
TB1100ST	1" Socket / Threaded	TB1250TE or SE	2.5" Socket or Threaded
TB1125STE	1.25" Socket / Threaded	TB1250T or S	2.5" Socket or Threaded
TB1125ST	1.25" Socket / Threaded	TB1300TE or SE	3" Socket or Threaded
TB1150STE	1.5" Socket / Threaded	TB1300T or S	3" Socket or Threaded
TB1150ST	1.5" Socket / Threaded		

**Actuated Ball Valves
EAU Series**

- Pressure Rating 250 psi
- True Union Design
- EPDM or FPM Seals
- PTFE Seat



Electric actuator details

- 90-degree operation
 - UL/CSA Listed mo
 - Light weight and compact design
- S/O Actuated Ball Valve

PART NUMBER	SIZE/DESCRIPTION	PART NUMBER	SIZE/DESCRIPTION
EAUTB105STE	.5" EPDM Socket / Threaded	EAUTB105STV	2" Socket / Threaded
EAUTB107STE	.75" EPDM Socket / Threaded	EAUTB107STV	.75" FPM Socket / Threaded
EAUTB110STE	1" EPDM Socket / Threaded	EAUTB110STV	1" FPM Socket / Threaded
EAUTB115STE	1.5" EPDM Socket / Threaded	EAUTB115STV	1.5" FPM Socket / Threaded
EAUTB120STE	2" EPDM Socket / Threaded	EAUTB120STV	2" FPM Socket / Threaded



**True Union
Three-Way Ball Valves
TW Series**

- Pressure Rating 150 psi
 - Position Indicator
 - EPDM Seals
- S/O Three-Way Ball Valve

PART NUMBER	SIZE/DESCRIPTION	PART NUMBER	SIZE/DESCRIPTION
TW1050STE	.5" Socket / Threaded	TW1250SE	2.5" Socket
TW1075STE	.75" Socket / Threaded	TW1250TE	2.5" Threaded
TW1100STE	1" Socket / Threaded	TW1300SE	3" Socket
TW1125STE	1.25" Socket / Threaded	TW1300TE	3" Threaded
TW1150STE	1.5" Socket / Threaded	TW1400SE	4" Socket
TW1200STE	2" Socket / Threaded	TW1400TE	4" Threaded



Full Pattern PVC Water Check Valves WCV Series

- Pressure Rating 150 psi
 - One-Piece Disk and Shaft Design
 - FPM or EPDM Gasket and Face Seal
- S/O PVC Water Check



Full Pattern PVC Water Check Valves WCV Series

- Pressure Rating 150 psi
 - One-Piece Disk and Shaft Design
 - FPM or EPDM Gasket and Face Seal
- S/O PVC Water Check

PART NUMBER	SIZE/DESCRIPTION	PART NUMBER	SIZE/DESCRIPTION
WCV1200E	2" EPDM Wafer Check	WCV1200ES	2" EPDM Wafer Check w / Spring
WCV1250E	2.5" EPDM Wafer Check	WCV1250ES	2.5" EPDM Wafer Check w / Spring
WCV1300E	3" EPDM Wafer Check	WCV1300ES	3" EPDM Wafer Check w / Spring
WCV1400E	4" EPDM Wafer Check	WCV1400ES	4" EPDM Wafer Check w / Spring
WCV1600E	6" EPDM Wafer Check	WCV1600ES	6" EPDM Wafer Check w / Spring
WCV1800E	8" EPDM Wafer Check	WCV1800ES	8" EPDM Wafer Check w / Spring
WCV1200V	2" FPM Wafer Check	WCV1200VS	2" FPM Wafer Check w / Spring
WCV1250V	2.5" FPM Wafer Check	WCV1250VS	2.5" FPM Wafer Check w / Spring
WCV1300V	3" FPM Wafer Check	WCV1300VS	3" FPM Wafer Check w / Spring
WCV1400V	4" FPM Wafer Check	WCV1400VS	4" FPM Wafer Check w / Spring
WCV1600V	6" FPM Wafer Check	WCV1600VS	6" FPM Wafer Check w / Spring
WCV1800V	8" FPM Wafer Check	WCV1800VS	8" FPM Wafer Check w / Spring



Butterfly Valves BYV Series

- Lever operated
 - Pressure Rating 150 psi
 - PVC Body and Disc
 - EPDM Liner
- S/O Butterfly Valve



Butterfly Valves Pure-Blu™ BYCN Series

- Lever Operated
 - Pressure Rating 150 psi
 - EPDM Seals
 - Santoprene® Seats
- S/O Butterfly Valve Pure-Blue

PART NUMBER	SIZE/DESCRIPTION	PART NUMBER	SIZE/DESCRIPTION
BYV11020A0EL000	2" Lever	BYV11040A0EL000	4" Lever
BYV11025A0EL000	2.5" Lever	BYV11060A0EL000	6" Lever
BYV11030A0EL000	3" Lever	BYV11080A0EL000	8" Lever
BYCN1020EILGB	2" Lever	BYCN1040EILGB	4" Lever
BYCN1025EILGB	2.5" Lever	BYCN1060EILGB	6" Lever
BYCN1030EILGB	3" Lever	BYCN1080EILGB	8" Lever



Butterfly Valve Pureblu Byn Series

- Pressure Rating 150 psi, gear operated
 - PVC Body and Disc
 - EPDM Liner
- S/O Butterfly Valve



Butterfly Valves BYV Series

- Pressure Rating 150 psi
 - PVC Body and Disc
 - EPDM Liner
- S/O Butterfly Valve

PART NUMBER	SIZE/DESCRIPTION	PART NUMBER	SIZE/DESCRIPTION
BYCN1020EIGGB	2" Gear	BYCN1040EIGGB	4" Gear
BYCN1025EIGGB	2.5" Gear	BYCN1060EIGGB	6" Gear
BYCN1030EIGGB	3" Gear	BYCN1080EIGGB	8" Gear
BYV11020A0EG000	2" Lever	BYV11060A0EG000	6" Gear
BYV11025A0EG000	2.5" Gear	BYV11080A0EG000	8" Gear
BYV11030A0EG000	3" Gear	BYV1100A0EG000	10" Gear
BYV11040A0EG000	4" Gear	BYV11120A0EG000	12" Gear

PENTAIR VALVES



263027

Diverter And Check Valves 1-1/2" And 2"

- 2-Way, 3-Way And Check
 - All valves available in CPVC or PVC
 - Maintenance-free PTFE coated diverter seal
 - Optimum positive-seal
 - High Flow Rate
 - Withstands pressure up to 150 psi
 - Used for diverting, shut-off or mixing applications
- S/O Diverter and Check Valves



263026



263042



Jandy Check Valves

607909 Swing Check Valve



263068



263059

Fullfloxx Diverter & Check Valves 2-1/2" & 3"

- Valves available in CPVC for maximum heat resistance
- Maintenance-free PTFE coated diverter seal
- Optimum positive-seal
- Maximum Flow Rate, low head loss
- Chemical-resistant
- Used for diverting, shut-off or mixing applications
- Accepts 2-1/2" and 3" PVC plumbing
- Field-adjustable stop positions
- Plumbed with inlet at any port
- Designed to work with most industry standard actuators



263056/263057



263060



263077

263068 263060
263056 263077
263057 263059



Raypak Professional Gas 268 & 408 Series ASME Heater

Brass headers and Cupro-Nickel Tubes

- Microprocessor-based control
- Set pool and spa temperature precisely by pressing an up or down temperature control button
- On-board diagnostic controls
- Compatible with most major pool control and remote systems
- 57040 BRASS R268 ENX #50 ASME
- 361222 Raypak Professional Series 268
- 57050 Brass R408 EN X #50 ASME
- 903731 408 ASME NG B-R408A-EN-X 51



Raypak Low NOx ASME Pool/Spa Heater

- Built to withstand various weather conditions, this modern pool and spa heater is the perfect solution for environments requiring efficiency, convenience and versatility.
- Copper-Fin Heat Exchanger with Cast-Iron headers, cupro-nickel available
 - Corrosion resistant cabinet
 - 51674 HTR R207AL ASME Cast Iron
 - 51722 HTR R207AL ASME Cupro-Nickel
 - 51675 HTR R267AL ASME Cast Iron
 - 51723 HTR R267AL ASME Cupro-Nickel
 - 51676 HTR R337AL ASME Cast Iron
 - 51724 HTR R337AL ASME Cupro-Nickel
 - 51677 HTR R407AL ASME Cast Iron
 - 51725 HTR R407AL ASME Cupro-Nickel



Installation available in most areas



Raypak Hi Delta 302-2342 ASME

In/Outdoor Stack Sold Separately.

- Ultra Low NOx (less than 20 ppm)
- Direct venting with TRUSEAL meets new ASHRAE exhaust requirements
- Cupro-Nickel and bronze waterways resist corrosion
- Self-diagnostic center for
- 905717 P502C 500k BTU Nat. gas
- S/O P652C 650k BTU Nat. gas
- S/O P752C 750k BTU Nat. gas
- 959877 P902C 900k BTU Nat. gas
- S/O P992C 990k BTU Nat. gas

- easy maintenance
- 84% efficient without using a condensing vent
- Unitherm governor provides condensation- free operation

- 950959 P1262C 1,260k BTU Nat. gas
- 950132 P1802C 1,800k BTU Nat. gas
- S/O P2002C 1999k BTU Nat. gas



P-1336 Indoor



P926 Outdoor



P-2500 Indoor

Raypak Raytherm Series

Clubs. Universities. Municipalities. Watersport Centers. Large residential pools. 23 model sizes — 511,500 to 4,000,000 BTUH inputs. Indoor and outdoor styles. 80-82% thermal efficiency. Natural or propane gas. Fuel-saving electronic ignition. Precision water temperature control to ffl 1°F. Low operating cost. Low maintenance cost. Easy service.

- Electronic Pilot Ignition...Saves fuel, no standing pilot
- 100% Copper And Bronze Waterways... Bronze headers and cupro nickel finned tubes prevent corrosion and rust which can stain the pool and destroy the heater

- 1" Diameter Finned Cupro Nickel Tubes...Better water flow, lower pressure drop through heater
- Tough, Durable Polytuf Powdercoat Finish...Long-lasting allweather protection in durable Forest Green color
- Unitherm Governor...For Models P-514 thru P-1223
- 3-way valve built in the header, automatically maintains the water in the heater at the precise temperature that prevents condensation and scale
- By Pass Pump...For models P-1287 thru P-4001, a properly designed bypass pump is used to control the temperature of the water entering the heater to avoid condensation and scaling

- Interlocking Combustion Chamber... Cuts heat loss for best efficiency
- Keeps jacket cool
- Dual Gas Valves...For safety
- Stainless Steel Burners...Can't clog or corrode

Indoor	Outdoor
368454 P724 726k BTU Nat. gas	S/O P724 726k BTU Nat. gas
901156 P962 961k BTU Nat. gas	S/O P926 926k BTU Nat. gas
S/O P1223 1222k BTU Nat. gas	903768 P1083 1083k BTU Nat. gas
S/O P1336 1336k BTU Nat. gas	S/O P1178 1178k BTU Nat. gas
S/O P1468 1467k BTU Nat. gas	S/O P1287 1287k BTU Nat. gas
S/O P1631 1630k BTU Nat. gas	S/O P1414 1413k BTU Nat. gas
S/O P1826 1825k BTU Nat. gas	903252 P1571 1570k BTU Nat. gas
S/O P2100 2100k BTU Nat. gas	S/O P1758 1758k BTU Nat. gas
S/O P2500 2499k BTU Nat. gas	N/A



Raypak XTherm® Gas Heater

The Raypak XTherm will precisely heat your pool. Utilizing the latest technology for the combustion-components, the optimum fuel-air ratio is maintained throughout the entire range of the load-tracking operation. The XTherm automatically self-tunes to accommodate the widest range of gas supply pressures. The high quality integrated blower-gas valve is self-correcting and allows smooth operation with fluctuating gas supply pressures. The Raypak XTherm is cutting edge technology with atmospheric simplicity.

- PVC vent capable - optional at time of order
- 3 models from 1,000,000 to 2,000,000 BTUH
- 97% thermal efficiency at full fire in pool applications
- Minimum continuous inlet water temperature (50°F)
- Small footprint, less than 11 square feet
- AB 1953 low lead certified
- On-board diagnostic center, real English, no codes
- All models indoor/outdoor construction
- Complete cabinet protects all controls and wiring
- Low NOx - Less than 20ppm
- Suitable for altitudes up to 10,000 ft. (derate above 5,000 ft.)

S/O WHP1005 999k BTU Nat. gas S/O
 S/O WHP1505 1,500k BTU Nat. gas S/O
 S/O WHP2005 1,999k BTU Nat. gas S/O



XTHERM® Professional Indirect Pool Heater

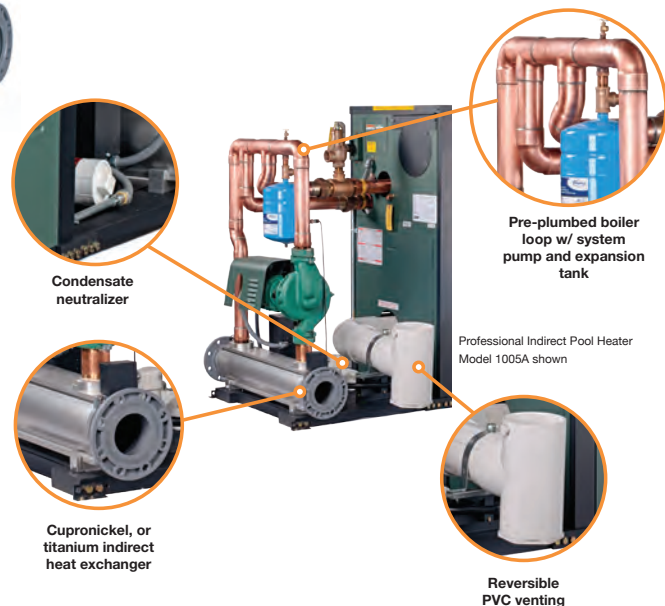
The standard configuration utilizes a highly corrosion resistant Cupro-Nickel exchanger with an option to upgrade to Titanium for the ultimate in corrosion resistance. The indirect heat exchanger keeps the boiler safe from corrosive pool water. The system arrives completely assembled, just connect, fill and flip the switch! No onsite soldering or assembly needed. Easy to install and commission, unit comes standard with a 7" touchscreen display and Raypak's Versa IC® control system. Full diagnostics with history and Modbus RTU BMS port. Economical to vent, unit comes standard with PVC vent connections and limit. Full electronic load tracking with 7:1 turndown.

S/O XTHERM® Professional Indirect Pool Heater



- Corrosion Resistant Heat Exchanger
- Time/Labor Savings
- Controls Made Easy
- 96% Thermal Efficiency

Model Number	Full Input BTUH	Indoor Stack Dia.
1005A	999,000	6"
1505A	1,500,000	8"
2005A	1,999,999	8"





Save up to 30% on Energy Costs



Jandy Hi-E2

- Lowest NOx emissions
 - 95% efficiency rating
 - Capable of reducing heating costs up to 30%
 - Sealed combustion chamber reduces condensation
 - Automatic power venting removes emissions
 - Bronze headers for longer life
 - Dual electronic thermostats are easy to use
 - Lighter and easy to install
- EHE350NC Jandy Pro Series Hi-E2, 350N Bronze, ASME, 350K BTU Heater, HSI, Dual Thermostat
 EHE350NS Jandy Pro Series HiE2, 350K BTU, NAT, ASME/Salt Water
 EHE350PC Jandy Pro Series HI-E2, 350P Bronze, ASME, 350K BTU Heater, HSI, Dual ThermoStat
 EHE350PS Jandy Pro Series HiE2, 350K BTU, LP, ASME/Salt Water



Jandy LXI ASME Heaters

- Low NOx fan assisted combustion
 - Backlit Control Panel, built in one touch automation makes pool to spa switching simple
 - Freeze protection
 - High efficiency C-fin heat exchanger
 - Easiest heater in industry to install, 33% lighter and 15% smaller footprint
- LXI250NC Jandy Pro Series LXi, P/H Cu
 LXI250PC Jandy Pro Series LXi, P/H Cu
 LXI250NS Jandy Pro Series LXi, Cu-Ni
 LXI250PS Jandy Pro Series LXi, Cu-Ni
- LXI400PC Jandy Pro Series LXi, P/H Cu
 LXI400NS Jandy Pro Series LXi, Cu-Ni
 LXI400PS Jandy Pro Series LXi, Cu-Ni



Hayward Commercial ASME Heaters

- The new 500,000 BTU models boast the fastest speed-to-heat capability in their class and are designed for ultimate performance, durability and energy efficiency
 - Low Lead Bronze Header and Cupro Nickel Finn Plate™ heat exchanger are standard
 - Independent left or right side electric, water and gas connections
 - Only front panel access required for installation and service
 - Easy dual voltage conversion with fuse protected circuit boards
- 50068 HEATER-UNIVERSAL 500 NA LONX ASME
 400008 HEATER-UNIVERSAL 500 LP LONX ASME
 50038 HEATER-UNIVERSAL 400 NA LONX ASME
 50046 HEATER-UNIVERSAL 400 LP LONX ASME
 50027 HEATER-UNIVERSAL 250 NA LONX ASME
 50039 HEATER-UNIVERSAL 250 LP LONX ASME

PENTAIR COMMERCIAL HEATERS



Pentair ETi 400 High Efficiency ASME Gas Heater

- 96% Thermal Efficiency
 - TitanTough™ heat exchanger - ASME certified
 - Ultra-high thermal efficiency, for fast heat-up times at lower energy costs
 - Category IV direct vent with up to 120 ft length PVC vent capabilities
 - Control panel can be rotated 180° to accommodate left or right water plumbing configurations
 - Front and rear gas plumbing connection
- 46229 ETI 400 ASME GAS HEATER
 46230 Indoor Direct Air Intake Kit
 46231 Condensate Neutralizer Kit



Pentair Mastertemp ASME Heater

- Ultra-high performance
 - Eco-friendly design
 - Best-in-class energy efficiency
 - Certified for low NOx emissions
 - Fast heat-up
 - Compact design
 - Super quiet operation
 - Easy to use
- 85393 MSTM 250k BTU ASME N
 85394 MSTM 250k BTU ASME P
 85395 MSTM 400k BTU ASME N
 85396 MSTM 400k BTU ASME P



Pentair PowerMax Commercial Heater

- PowerMax® heater provides peak efficiency and easy maintenance in both indoor and outdoor applications.
- High Performance Electronic Ignition Heaters
 - Seven sizes delivering up to 85% efficiency ratings and meets all Low NOx requirements
 - Reliable operation in natural or propane models
 - Fan-assisted and filtered combustion air
- 85397 PM0500NACC3BXN 500k BTU
 S/O PM0750NACC3BXN 750k BTU
 958542 PM100NACC3BXN 1000k BTU
 S/O PM1250NACC3BXN 1250k BTU
 S/O PM1500NACC3BXN 1500k BTU
 S/O PM1750NACC3BXN 1750k BTU
 S/O PM200NACC3BXN 2000k BTU



AquaCal Great Big Bopper

- Highest Output Heat Pump Made, 500,000 BTU's @ 6.3 C.O.P. efficiency
 - Heat and Cool Operation
 - Super Quiet Operation 72 db @ 10 ft
 - Compact Footprint 4' x 7' x 7'
 - Single Electrical Hook Up (60hz @ 208-230V or 460V)
 - Adaptable Inlet/Outlet Plumbing Configuration
- S/O GBB 500 BTU 208/230V
S/O GBB 500 BTU 460V



AquaCal Heatwave Heat Pumps

- Microprocessor controlled with Digital Display
 - ThermoLink Titanium Heat Exchanger
 - Scroll Compressor
 - Corrosion Proof Cabinet
 - AquaTop
 - Dual Row Coated Evaporator Coil on HI55
- S/O 135k BTU 1 PH 208/232V
S/O 133k BTU 3 PH 208/232V
S/O 133k BTU 3 PH 400V
S/O 125k BTU 1 PH 208/232V
S/O 125k BTU 3 PH 208/232V
S/O 110k BTU 1 PH 208/232V
S/O 120k BTU 1 PH 208/232V



AquaCal Super Quiet

- Super Quiet Features
 - Microprocessor controlled Digital Display
 - IceBreaker Technology
 - Virtually Quiet Operation
 - Titanium Heat Exchanger
 - Scroll Compressor
 - Corrosion Proof Cabinet
- 85104 127 BTU 1 PH 208/230V
S/O 127 BTU 3 PH 208/230V
S/O 108 BTU 1 PH 208/230V

HEAT PUMPS



Hayward Heat Master Heat Pumps

- Titanium heat exchanger for heating efficiency and reliability
 - Easy to read LED control panel for digital temperature control and monitoring of heat pump performance
 - Compact footprint for easy installation on new or existing pools and spas
- S/O 65k BTU
S/O 80k BTU
85038 125k BTU



JHX127



JHX85

Jacuzzi Heat Pumps

- Exclusive 100% Commercial Grade Oversized Titanium Heat Exchanger
 - Heat Large Bodies of Water Fast
 - Air Management System Maximizes Heat
 - Save Thousands Annually with the Savings Optimizer (Our App tells you how much you are spending to heat your pool. Monitor and Manage 24/7)
- 85450 JHX85
369577 JHX127
85452 380450



JHX140

wave

Exceptionally Tough, Extremely Efficient.

Engineered for extraordinary commercial pool cleaning performance



Healthy Water. Happy Guests.

Dolphins filter can circulate thousands of gallons of water per hour, improving water circulation, leaving the pool water polished and exceptionally clean for enhanced guest satisfaction.

959528	W20 Shallow Water Cleaner
63661	W20 Power Supply
628207	W20 Remote
385701	WAVE 60 Robotic Pool Cleaner
385702	WAVE 80 Robotic Pool Cleaner
385703	WAVE 100 Robotic Pool Cleaner
324816	WAVE 60/80/100 Power Supply
385803	WAVE 60/80/100/120 Remote
956692	Wave 120 Robotic Pool Cleaner
63660	WAVE 120 Power Supply
385704	WAVE 140 Robotic Pool Cleaner
385800	WAVE 140 Power Supply
385801	WAVE 140 Remote





	WAVE 60	WAVE 80	WAVE 100	WAVE 120	WAVE 140
Ideal Pool Length	Up to 50 ft.	Up to 68 ft.	Up to 88 ft.	Up to 121 ft.	Up to 127 ft.
Cable Length	60 ft. Tangle-free cable	78 ft. Tangle-free cable	98 ft. Tangle-free cable	131 ft. Tangle-free cable	137 ft. Tangle-free cable
Cleaning Coverage	Floor, Walls, 7 Waterline	Floor, Walls, 7 Waterline	Floor, Walls, 7 Waterline	Floor, Walls, 7 Waterline	Floor only
Brushing	Dual Scrubbing Brushes	Dual Scrubbing Brushes + Center Active Scrubber	Dual Scrubbing Brushes	Dual Scrubbing Brushes	Dual Scrubbing Brushes
Cleaning Cycle Time	Quick - 1 hour Standard - 2.5 hours	Quick - 1.5 hours Standard - 2.5 hours Enhanced - 3.5 hours	Quick - 4 hours Standard - 6 hours Enhanced - 8 hours	Quick - 4 hours Standard - 6 hours Enhanced - 8 hours	Quick - 4 hours Standard - 5 hours Enhanced - 6 hours
Filtration	Interchangeable set of fine and ultra-fine filters, Top-loading Cartridge	Interchangeable set of fine and ultra-fine filters, Top-loading Cartridge	Interchangeable set of fine and ultra-fine filters, Top-loading Cartridge	Interchangeable set of fine and ultra-fine filters, Top-loading Cartridge	Fine filters, Top-loading Cartridge
Robot Weight	24.6 lbs.	24.6 lbs.	29 lbs.	42 lbs.	55 lbs.
Navigation and Maneuverability	CleverClean™ coverage	CleverClean™ coverage	CleverClean™ coverage	CleverClean™ coverage	CleverClean™ coverage
Remote Control	Remote Ready	Included	Included	Included	Included
Caddy	Included	Included	Included	Included	Included
Warranty	24 months- limited	24 months- limited	24 months- limited	24 months- limited	36 months or 3000 working hours - limited

[Click here to Connect with your Account Manager](#)



THE HARD WORKER Featuring a wide range of customizable features, Duramax is a line of heavy duty robots built to perform the daily task of commercial pool cleaning. From the small hotel motel pools up to Olympic pools, there is a Duramax ready to work hard to keep the water sparkling clean.



DuraMAX Junior T-RC
84362 DuraMAX Junior T-RC

Propulsion Type	Drive Motor
Pool Types	Up to 60 ft length
Coverage	6500 sq ft / hour
Cable Length	100 ft
Climbing	Yes
Remote Control	Yes (3 directional)
Drive Motors	1
Motor Voltage	30v
Motor Type	High efficiency / Brushless 1
Pumps	1 (with power jets)
Pump Voltage	30v
Pump Type	High efficiency / Brushless
Pumping Capacity	4800 gal per hr
Filter Size	Standard
0 Entry Sensor	Optional
IR Sensor	Optional
Steel Reinforcement	-
Power Supply	Heavy duty
Cleaning Programs	1-7 Hours / C-Run
1 hr. Delay Feature	N/A
Timer	Yes
Voltage Input	120v - 60hz
Voltage Output	36v
Wattage	230w
Caddy	Ultra Kart Jr.
Warranty	2 years (1st year B to B)



DuraMAX RC
84363 DuraMAX RC

Propulsion Type	Drive Motor
Pool Types	Up to 75 ft length
Coverage	8790 sq ft / hour
Cable Length	120 ft
Climbing	Yes
Remote Control	Yes (4 directional)
Drive Motors	2
Motor Voltage	30v
Motor Type	High efficiency / Brushless
Pumps	1
Pump Voltage	30v
Pump Type	High efficiency / Brushless
Pumping Capacity	4800 gal per hr
Filter Size	Large
0 Entry Sensor	Standard
IR Sensor	Optional
Steel Reinforcement	Yes
Power Supply	Heavy duty
Cleaning Programs	7 Hours / C-Run
1 hr. Delay Feature	Yes
Timer	Yes
Voltage Input	120v - 60hz
Voltage Output	36v
Wattage	320w
Caddy	Ultra Kart Jr.
Warranty	2 years (1st year B to B)



DuraMAX Bi Turbo T-RC
954184 DuraMAX Bi Turbo T-RC

Propulsion Type	Drive Motor
Pool Types	Up to 75 ft length
Coverage	8790 sq ft / hour
Cable Length	120 ft
Climbing	Yes
Remote Control	Yes (3 directional)
Drive Motors	1
Motor Voltage	30v
Motor Type	High efficiency / Brushless
Pumps	2
Pump Voltage	30v
Pump Type	High efficiency / Brushless
Pumping Capacity	9600 gal per hr
Filter Size	Large
0 Entry Sensor	Standard
IR Sensor	Optional
Steel Reinforcement	Yes
Power Supply	Heavy duty
Cleaning Programs	1-7 Hours / C-Run
1 hr. Delay Feature	N/A
Timer	Yes
Voltage Input	120v - 60hz
Voltage Output	36v
Wattage	320w
Caddy	Ultra Kart Jr.
Warranty	2 years (1st year B to B)



DuraMAX Duo Jr
950176 DuraMAX Duo Jr

Propulsion Type	Drive Motor
Pool Types	Up to 150 ft length
Coverage	9750 sq ft / hour
Cable Length	120 ft (150 ft Optional)
Climbing	Yes
Remote Control	Yes (4 directional)
Drive Motors	2
Motor Voltage	30v
Motor Type	High efficiency / Brushless
Pumps	2
Pump Voltage	High efficiency / Brushless
Pump Type	9600 gal per hr
Pumping Capacity	PVC / PVA (optional)
Filter Size	Large
0 Entry Sensor	Standard
IR Sensor	Optional
Steel Reinforcement	Yes
Power Supply	Heavy duty
Cleaning Programs	1-7 Hours / C-Run
1 hr. Delay Feature	Yes
Timer	Yes
Voltage Input	120v - 60hz
Voltage Output	36v
Wattage	360w
Caddy	Ultra Kart Jr.
Warranty	2 years (1st year B to B)



DuraMAX Duo
84366 DuraMAX Duo

Propulsion Type	Drive Motor
Pool Types	Up to 150 ft length
Coverage	13,100 sq ft / hour
Cable Length	120 ft (150 ft Optional)
Climbing	Yes
Remote Control	Yes (4 directional)
Drive Motors	2
Motor Voltage	30v
Motor Type	High efficiency / Brushless
Pumps	2
Pump Voltage	30v
Pump Type	High efficiency / Brushless
Pumping Capacity	9600 gal per hr
Filter Size	PVC / 2
0 Entry Sensor	Standard
IR Sensor	Optional
Steel Reinforcement	Yes
Power Supply	Heavy duty
Cleaning Programs	1-7 Hours / C-Run
1 hr. Delay Feature	Yes
Timer	Yes
Voltage Input	120v - 60hz
Voltage Output	36v
Wattage	360w
Caddy	Ultra Kart Jr.
Warranty	2 years (1st year B to B)





CLEAN AT THE TOUCH OF A BUTTON The Aquamax line of commercial pool cleaners is the result of 30 years of research and development. The perfect combination of performance and innovation, the Aquamax line features highly customizable programs, smart cleaning algorithms and sensors to make cleaning as easy as the touch of a button.



AquaMAX X1
950287 AquaMAX X1

Propulsion Type	Drive Motor
Pool Types	Up to 40 ft length
Coverage	6500 sq ft / hour
Cable Length	75 ft
Climbing	AquaSmart w/Gyro
Remote Control	N/A
Drive Motors	1
Motor Voltage	24v
Motor Type	High efficiency / Brushless
Pumps	1
Pump Voltage	24v
Pump Type	High efficiency / Brushless
Pumping Capacity	4330 gal per hr
Filter Size	Standard
0 Entry Sensor	Standard
IR Sensor	-
Steel Reinforcement	-
Power Supply	Switching / SPS 500
Cleaning Programs	1.0h / 1.5h / 2.0h
Warranty	2 years (1st year B to B)



AquaMAX X2
950320 AquaMAX XL

Propulsion Type	Drive Motor
Pool Types	Up to 50 ft length
Coverage	6500 sq ft / hour
Cable Length	100 ft
Climbing	AquaSmart w/Gyro
Remote Control	Yes
Drive Motors	2
Motor Voltage	24v
Motor Type	High efficiency / Brushless
Pumps	1
Pump Voltage	24v
Pump Type	High efficiency / Brushless
Pumping Capacity	4330 gal per hr
Filter Size	Standard
0 Entry Sensor	Standard
IR Sensor	-
Steel Reinforcement	-
Power Supply	Digital Display
Cleaning Programs	1.5h / 2.0h / 2.5h
Caddy	Ultra Kart Jr.
Warranty	2 years (1st year B to B)



AquaMAX X3
950321 AquaMAX X3

Propulsion Type	Drive Motor
Pool Types	Up to 75 ft length
Coverage	8790 sq ft / hour
Cable Length	100 ft
Climbing	yes
Remote Control	Yes
Drive Motors	2
Motor Voltage	24v
Motor Type	High efficiency / Brushless
Pumps	1
Pump Voltage	24v
Pump Type	High efficiency / Brushless
Pumping Capacity	4330 gal per hr
Filter Size	Large
0 Entry Sensor	Standard
IR Sensor	-
Steel Reinforcement	-
Power Supply	Digital Display
Cleaning Programs	3.0h / 4.0h / 5.0h
Timer	Yes / external capability
Voltage Input	120v - 60hz
Voltage Output	24v
Wattage	240w
Caddy	Ultra Kart Jr.
Warranty	2 years (1st year B to B)



AquaMAX X4
950322 AquaMAX X4

Propulsion Type	Drive Motor
Pool Types	Up to 150 ft length
Coverage	9750 sq ft / hour
Cable Length	150 ft
Climbing	yes
Remote Control	Yes
Drive Motors	2
Motor Voltage	24v
Motor Type	High efficiency / Brushless
Pumps	2
Pump Voltage	24v
Pump Type	High efficiency / Brushless
Pumping Capacity	9690 gal per h
Filter Size	2x Standard
0 Entry Sensor	Standard
IR Sensor	Standard
Steel Reinforcement	Yes
Power Supply	Digital Display
Cleaning Programs	3.0h / 5.0h / 7.0h / 9.0h
Timer	24v
Voltage Input	120v - 60hz
Voltage Output	24v
Wattage	360w
Caddy	Ultra Kart
Warranty	2 years (1st year B to B)



UltraMAX XL
84367 UltraMAX XL

Propulsion Type	Drive Motor
Pool Types	Up to 150 ft length
Coverage	9750 sq ft / hour
Cable Length	120 ft
Climbing	yes (remote controlled)
Remote Control	Yes
Drive Motors	2
Motor Voltage	24v
Motor Type	High efficiency / Brushless
Pumps	2
Pump Voltage	24v
Pump Type	High efficiency / Brushless
Pumping Capacity	9690 gal per h
Filter Size	2x Standard
0 Entry Sensor	Standard
IR Sensor	Standard
Steel Reinforcement	Yes
Power Supply	Digital Display
Cleaning Programs	3.0h / 5.0h / 7.0h / 9.0h
Timer	24v
Voltage Input	120v - 60hz
Voltage Output	24v
Wattage	360w
Caddy	Ultra Kart
Warranty	2 years (1st year B to B)

PORTABLE VACUUM & SERVICE CARTS



Porta Vac

- 14 amp motor, suitable for any nema standard receptacle
- 150 sq ft cartridge filter (unicel replacement)
- 40' GFCI protected cord
- 83137 Porta Vac Electric
- 902944 Porta Vac Gas Powered
- 41115 150 Sq ft Replacement Cartridge



Super Vac III

- Auxiliary pump system
- Aluminum and stainless steel cart
- 14 amp motor, suitable for any nema standard receptacle
- 40' GFCI protected cord
- 83138 Super Vac III Electric
- 41117 Super Vac III Gas Powered



Service Cart

- Holds full case of chlorine and 3 quart containers in rack
- Holds 50' of suction hose, brush attachments and tile brush
- 83139 Stainless Steel Service Cart
- 83143 Powder Coated Steel Service Cart
- 83134 Hitch



SS Porta Vac

- Stainless steel cart and TEFC motor
- 150 sq ft stainless steel filter
- 100 gallon per minute pump
- 35' GFCI protected cord
- 41118 SS Porta Vac
- 41115 150 Sq ft Replacement Cartridge



83147



83148



83142

Mini Vac

- 50 gallon per minute pump
- 75 Sq ft cartridge filter
- 9' cord
- 83147 Mini Vac
- 41113 75 Sq Ft Replacement Cartridge

Super Vac II

- Hand carry 1.5 HP pump
- 9' 115V cord
- Includes hose adapter fittings
- 83142 Super Vac II

Mini Vac II

- 85 gallons per minute pump
- 100 sq ft cartridge filter
- 40' GFCI protected cord
- 83148 Mini Vac II
- 41114 100 Sq ft Replacement Cartridge

Special order, lead times vary.



Portable Vacuum System

- Sturdy and dependable units include a Sta-Rite pump, stainless steel cart, GFCI shock preventer and 50' of electric cord
- 83132 S/O 1 hp 105 sq ft filter
- 83133 S/O 2 hp 155 sq ft filter
- 609419 155 sq ft Replacement Cartridge

HAMMER-HEAD SERVICE CART



220824 Service-21

Hammer-Head Service Cart

- Lightweight powder coated aluminum frame
- Large marine battery box (battery not included)
- Frame mounted soap bottle
- Weatherproof marine switch
- 220825 Service-21
- 220824 Service-30

JACUZZI POOL VACS

Jacuzzi® JPV100

- 8.5" wide vacuum head
- Versatile use
- Up to 2.5 hours run time
- 2-year warranty
- Includes: Vacuum head, filter bag, power head, battery chamber, pool pole adapter and micro filter bags
- 58200 JPV100



Jacuzzi® JPV200

- Multi-layer filter capacity
- Powerful motor
- Debris chamber
- 7.5" wide vacuum head
- 2-year warranty
- Includes: Vacuum head, nose c; filter bag, cleaner body, motor box and charger
- 58201 JPV200



Jacuzzi® JPV300

- 10.5" wide vacuum head
- Advanced motor
- Multi-layered filter cone
- High volume debris chamber
- 2-year warranty
- Includes: Vacuum head, debris chamber, filter assembly, cleaner body, pool pole adapter and charger
- 58202 JPV300



2" Commercial Hoses

- 2" Recommended for lengths longer than 50'
- 22482 2" x 50'
- 22486 2" x 75'
- 22488 2" x 100'



1 1/2" Standard Hoses

- 22472 1-1/2" x 25'
- 22474 1-1/2" x 35'
- 22476 1-1/2" x 45'



I-Helix Vac Hoses

- Finest professional grade spiral-wound vacuum hose in the industry
- 954161 1 1/2" x 50'
- 22486 2" x 75'
- 22482 2" x 50'
- 22487 1 1/2" x 100'
- 22484 1 1/2" x 75'
- 22488 2" x 100'



Vac Hose Sections

- Our vacuum hose reel makes pool vacuuming much easier, while keeping the vacuum hose neatly and safely stored
- 58800 4' Hose Sections

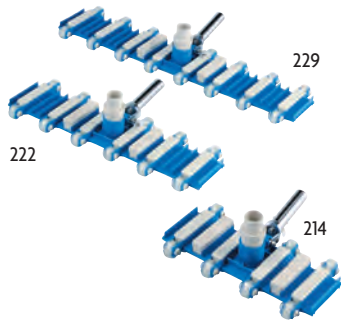
Hose Mender

- 22400 1-1/2" THD

Hose Cuffs

- 22546 1.5" Fixed Standard
- 22549 1 1/2" Swivel

VACUUM HEADS



Provac Flexible Commercial Vacuums

- ProVac Residential and Commercial Vacuums
- The ProVac vacuum cleans a pool bottom in half the time
- Suction chamber concentrates vacuum velocity equally
- Full width flex strips guide debris into the suction chamber
- All wheels are adjustable to increase or decrease the vacuum velocity



Leaf Eaters

- Quickly removes leaves, bugs and debris from pool
- Powered by your garden hose
- 20144 Leaf Bagger Brush/Wheel Combo
- 20116 Replacement Bag-Regular Mesh
- 20110 Replacement Bag-Fine Mesh
- 20956 Replacement Wheel 3-Pack



Provac II Flexible Commercial Vacuums

- Eco Select Brand environmentally friendly composite weight system
- Suction chamber concentrates vacuum velocity for fast thorough cleaning
- Convertible wheel system – locks for straight cleaning pattern or pivots 360° for additional coverage
- Ultra smooth ball bearing wheels for effortless movement



Vacuum Heads

- Save time and brush while you vacuum your pool
- 20881 Good for vinyl

SKU	Model	Description
PROVAC II		
903260501	216	Replacement wheel kit (4 per kit)
241 SUPER PROVAC		
82702	241	22 ball bearing polyurethane wheels, suction chamber, strategic weighting and dual manifold with handle joining assembly, includes adapters for 1 1/2" and 2" vacuum hose, boxed. 41" wide, dual port vacuum
PROVAC SERIES RESIDENTIAL & COMMERCIAL VACUUMS		
200714	229	Commercial model, metal swivel handle, ball bearing wheels, stainless steel shaft, boxed

BRUSHES



20192 Pro Grade 22" Brush



20193 22" Pro Pebble Brush



20137 18" Standard



20256 18" Combo/Wire



20257 18" Standard Wire
20261 5" Standard Wire



20258 5" Wall Brush
20131 5" Corner Brush

LEAF SKIMMERS



- "Soft" tip specially designed for delicate pool surfaces
- 20476 Vinyl Stingray Leaf Rake
- 20477 Fine Mesh



82628 Pro Grade Quick Release 16" Leaf Skimmer



20465 Fine Mesh Leaf Skimmer



20735 Leaf Skimmer 4' Handle

LEAF RAKES



- 82627 Pro Grade Quick Release 18" Leaf Rake
- 82629 Pro Grade Quick Release 18" Fine Leaf Rake
- Not Shown



- 20462 18" Piranha Leaf Rake
- 20463 24" Piranha Leaf Rake
- 20473 18" Replacement Net
- 20474 24" Replacement Net
- 20475 Replacement Net Cuff



20450 Standard Fine Leaf Rake

TELEPOLES

Pro Telepole



20870 8-16' 2-piece



48775 4-8' Standard Grip



20781 8-16' Fiberglass



20795 16' 2-piece



82683 12-24' 2-piece pole

3-Piece Telepoles

- 20798 5 1/2-16' 3-piece
- 83193 12-36' (3-piece pole) Not Shown



Pole Hangers

- Secure these handy hangers to your fence or wall, and stop tripping over that pole
- 83105 Set of two aluminum



CALCIUM REMOVERS



Pool Stone

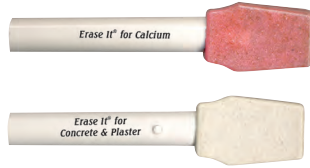
20664

Stone w/handle

20662

Pool Stone 3-pk

20660



EarthStone

- Easily cleans ceramic, grout and concrete surfaces
- 20184 Calcium Eraser
20186 Concrete/Plaster



Erase It

- Revolutionary and easy to use stain removers
- 20185 Tile Grout Eraser



CuLator

- Eliminates copper, iron, manganese, nickel, cobalt & lead
 - Acts like a sponge to rapidly remove metals from pool and spa water
- 14513 Packet

WATERLINE CLEANERS



Stain & Scale Remove

- Pool stain remover and scale remover
- Protects against stains, mineral scales, and scum buildup

14224 1/2 gal

Protects Salt Cells
From Build-Up



#300 Tile Cleaner

- Removes calcium deposits, dissolves oil, grease and most soils in minutes

14827 1 qt



BIO-DEX Protect-All Supreme

- Controls swimming pool stain, scale, calcium, rust and corrosion, and eliminates water hardness problems
- Initial dose is one quart per 20,000 gallons

14809 1 qt



Clean & Perfect

- The perfect indoor/outdoor cleaner
- Powerful natural enzymes and surfactants
- Use on all hard surfaces such as spas, vinyl, spa & pool covers, outdoor furniture, decks, etc.

14128 24 oz

CLEANING PARTS



Backwash Hose

- Strong, durable
- 22426 1 1/2" x 25' 22431 2" x 50'
22427 1 1/2" x 50' 22432 2" x 100'
22428 1 1/2" x 100'
22429 2" x 25'



Large Leaf Canister
58958



Std. Leaf Canister
58972



Basket Leaf Canister
58953



Pole Hangers

- Secure these handy hangers to your fence or wall

83105 Set of two aluminum

REPLACEMENT PARTS



Vac Wheel 4-pk
20940



Vac Handle
Replacement
20885



Spring 3-pk
20771



Metal Swivel Vac Handle
20979



Easy Lock Cam
20792



Telepole
Handle
20790

STRAP FABRIC FEATURES

2" wide extruded vinyl straps made of 100% virgin vinyl and UV stabilizers for colorfastness.

Patented straps (US Patent #6,523,904) lock securely in specially designed channels.

30 Available strap colors, paired with 9 powder coated frame finishes.

Durable replaceable plastic glides protect patio surface.



Individual straps can be easily replaced if necessary.

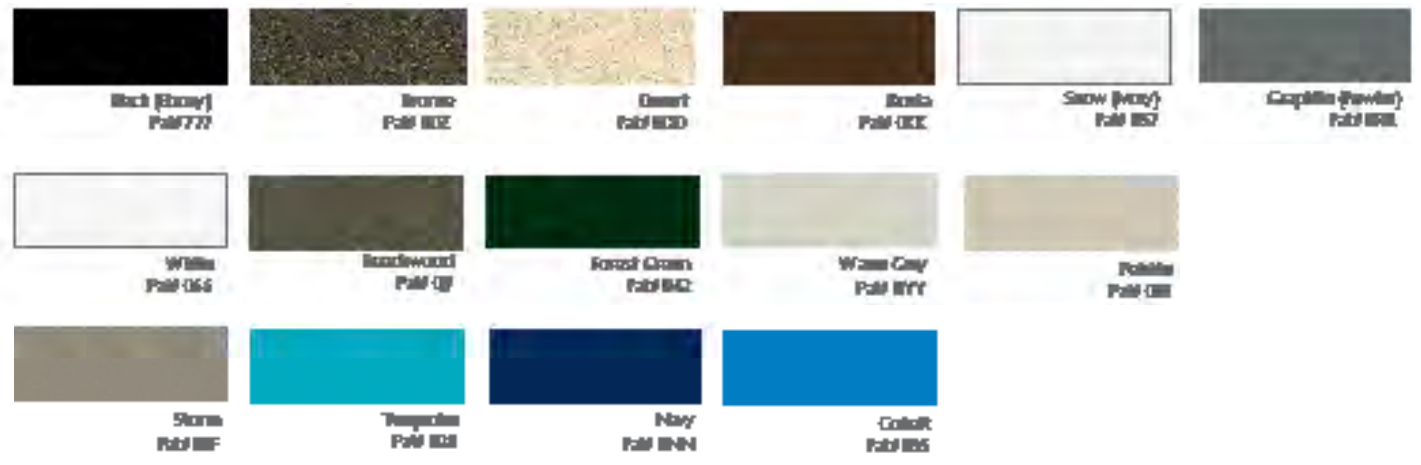
Strong, durable construction.

Resilient strapping won't permanently sag after long use.

Stainless Steel and aluminum hardware resists corrosion.

The 2" Custom Strap colors listed below are available on our Reliance Contract Strap Collection and Kendall Contract Strap Collections. Please note, you cannot mix embossed and non-embossed (smooth) straps on the same frame. Straps listed below are smooth unless otherwise noted. Straps with asterisk (*) match our frame colors.

Strap Fabric Options



Above finishes are available on all Strap Collections

Slings are easy to replace.

Available in 9 powdercoated frame colors and 67 outdoor quality commercial grade sling fabrics.

Sleek & simple designs, perfect for every application

Strong, extra durable construction.



Durable replaceable plastic glides to protect patio surface.

No dangerous pinch points.

Multi-position back, including lay-flat.

Stainless steel hardware.

Durable replaceable plastic glides to protect patio surface.

Sling Fabric Options

10 Red A Grade	50 Black A Grade	60 White A Grade	115 Bristol A Grade	130 Navy A Grade	140 Augustine Mineral -A Grade	200 Natural A Grade	220 Forest Green A Grade	240 Teal A Grade	280 Pacific Blue A Grade
350 Cobalt A Grade	380 Lima A Grade	410 Tangerine A Grade	420 Sky A Grade	430 Yellow A Grade	510 Aqua A Grade	700 Atlantis A Grade	10 Bark A Grade	202 Moments Navy A Grade	209 Collect Indigo A Grade
214 River B Grade	215 Augustine Oasis A Grade	219 Collect Charcoal A Grade	229A Augustine Shadow -A Grade	231 Sand Dollar B Grade	255 Amalfi A Grade	257 Jewel B Grade	259 Sicily B Grade	260 Fossil B Grade	262 Abalone B Grade
271 Augustine Fannel -A Grade	272 Tempo A Grade	310 Fiesta A Grade	316 Nickel B Grade	365 Baja A Grade	366 Reflection B Grade	466 James B Grade	476 Beacon A Grade	489 Boulder B Grade	531 Tan A Grade
535 Limalite A Grade	538 Night A Grade	558 Deacon A Grade	559 Harbor A Grade	561 Burke A Grade	562 Gannon B Grade	563 Scotch B Grade	564 Storm B Grade	565 Destiny Steel A Grade	569 Nimbus Smoke A Grade
571 Kora A Grade	573 Mink B Grade	574 Anchor B Grade	575 Carob B Grade	576 Cole A Grade	577 Nimbus Ocean A Grade	578 Charm A Grade	579 Chantilly B Grade	630 Mocha A Grade	747 Coastline A Grade
749 Brazzo A Grade	753 Tweed A Grade	809 Newport B Grade	865 Skip B Grade	868 Brooks B Grade	870 Elevation Stone -A Grade	871 Augustine Pebble -A Grade	872A Augustine Pewter -A Grade	873 Augustine Denim -A Grade	874 Augustine Oyster -A Grade
876 Georgia A Grade	877 Elta A Grade	878 Smoke B Grade	888 Call A Grade	889 Vineyard A Grade	930 Titanium A Grade	948 Harper A Grade	950 Mavi A Grade	953 Kasler B Grade	954 Jay A Grade
957 Alloy A Grade									

SLING FRAME OPTIONS

Marine Grade Polymer

Available in 8 MGP frame colors and 70 outdoor-quality commercial grade sling fabrics.

MGP will not crack, rot or separate in any outdoor-environment.

All Slings are constructed with high performance outdoor quality fibers.

MGP color pigment is all through the material, so a slightly scratched surface is less noticeable.

Stainless steel hardware.

MGP has zero porosity, meaning it is easy to clean unlike the competitor's foamed resin that traps dirt and oil in the surface.

Slings are easy to replace.

Strong, durable construction.

No dangerous pinchpoints.

MGP is made from only FDA approved resins.

MGP is comfortable to the touch on hot and cold days.

Contains over 30% recycled resin.



Powdercoated Aluminum

Slings are easy to replace.

Available in 10 powdercoated frame colors and 70 outdoor-quality commercial grade sling fabrics.

Sleek & simple designs, perfect for every application

Stainless steel hardware.

Strong, extra durable construction.

Durable replaceable plastic glides to protect patio surface.

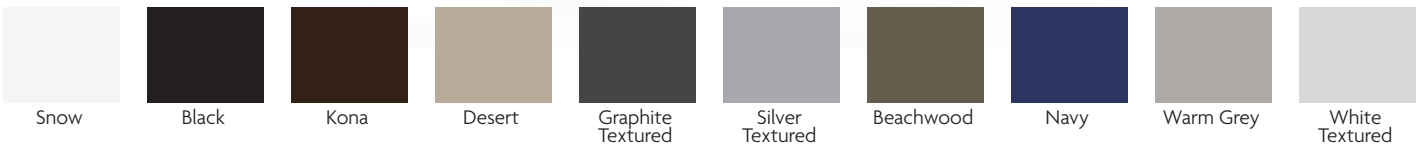
Durable Aluminum ratchets rest on plastic guards to protect finish

Slings are easy to replace.

No dangerous pinch points.

Multi-position back, including lay-flat.

MGP is comfortable to the touch on hot and cold days.





Reliance Strap Chairs

- All Reliance Strap items are stackable for easy/convenient storage!
 - Four-Position Lay-Flat Stacking Arm-less Chaise features a 14" seating height for easy in and out. 76" when laid flat.
 - Four-Position High Bed Lay-Flat Stacking Armless Chaise features an 18" seating height for additional ease of use. 76" when laid flat.
 - Stacking Sled Base Arm Chair and Stacking Sled Base Sand Chair are extra sturdy on a porch, patio, grass or deep sand!
- S/O Reliance Contract Strap Chairs

**Reliance Strap
16" Four-position Lay Flat
Stacking Armless Chaise**
27"Wx43"Hx69"D



**Reliance Strap
Stacking Bistro Chair**
21"Wx34.5"Hx26.75"D

[Click here to Connect with your Account Manager](#)



Kendall Strap & Sling Chairs

- All Kendall items are stackable for easy and convenient storage!
- Stacking Armless Lay-Flat Chaise features hidden integrated ratchet system for a sleek contemporary appeal and to minimize pinch points.
- 2" welded vinyl straps are easy to clean and maintain.
- S/O Kendall Strap & Cross Strap

Kendall Sling Stacking Armless Lay Flat chaise

25.5"Wx41"Hx66.75"D
Reclined Length = 78.25"



Kendall Sling Stacking High Bed 18" Chaise

28"Wx43.75"Hx82"D
Reclined Length = 78.25"



Kendall Strap Stacking Arm Chair

26"Wx36"Hx25"D



Kendall Sling Stacking Balcony Height Arm

25.5"Wx43.5"Hx26.5"D



Kendall Strap Stacking Armless Lay Flat Chaise

26"Wx41"Hx67"D
Reclined Length = 78.25"



Kendall Sling Stacking Bar Height Arm Chair

25.5"Wx47.5"Hx26.5"D



Kendall Sling Stacking Cafe Chair

25.5"Wx35.5"Hx25"D



Primera Sling Chairs

- Powder Coat Aluminum Frame.
- Available in Sling & Padded Sling.
- Available Sunbrella Stock Book Program.
- All items feature a wide arm for extra comfort.
- Arm Chair, Supreme Arm Chair and Chaise stack for easy/ convenient storage.
- Four Position Lay Flat Chaise features a seating height of 16" for easy in and out. The chaise has four easy to adjust positions and is 79" when laid flat.

S/O Primera Sling



Primera Sling Stacking Arm Chair
26"Wx38"Hx30"D



Primera Sling Swivel Rocker
26"Wx43"Hx30"D



Primera Sling Balcony Height Swivel Arm Chair
24"Wx45"Hx28"D



Primera Sling Bar Height Swivel Arm Chair
24"Wx48"Hx28"D



Primera Sling Four-Position Lay Flat Stacking Chaise
28"Wx44"Hx62"D
Reclined Length = 79"



Belle Isle Ottoman
26"Wx17"Hx20"D



St. Catherine MGP Sling Chairs

- Marine Grade Polymer (MGP)/Aluminum Frame.
- Stainless Hardware.
- Available in Sling & Padded Sling.
- Available Sunbrella Stock Book Program.
- Supreme Arm Chair and Four-Position Lay Flat Chaise are all designed with perfectly curved arms for maximum comfort.
- Four Position Lay Flat Chaise is constructed at a 16" seating height for easy in and out and is 79" when laid flat.

S/O St. Catherine MGP Sling



1 YEAR WARRANTY

St. Catherine Swivel Rocker

26"Wx38"Hx30"D



1 YEAR WARRANTY

St. Catherine Supreme Swivel Rocker

26"Wx38"Hx30"D



5 YEAR WARRANTY

St. Catherine Arm Chair

26"Wx38"Hx30"D



5 YEAR WARRANTY

St. Catherine Supreme Arm Chair

26"Wx43"Hx29"D



5 YEAR WARRANTY

St. Catherine Four-Position Lay Flat Chaise

29"Wx43"Hx64"D
Reclined Length = 79"



For the Closest Location Visit LesliesPool.com/stores.htm



Aruba Sling Chairs

- Powder Coat Aluminum Frame.
 - Available in Sling & Padded Sling.
 - Available Sunbrella Stock Book Program.
 - Many items stack for convenient storage.
 - The broad depth of this collection allows for a variety of seating applications that will coordinate beautifully.
- S/O Aruba Sling Chairs



Aruba Four Position Lay-Flat Stacking Chaise

28"Wx42"Hx62"D
Reclining Length: 79"



Aruba Supreme Stacking Arm Chair

25"Wx44"Hx29"D



Aruba Stacking Arm Chair

25"Wx35"Hx29"D



Aruba Stacking Café Chair

24"Wx33"Hx26"D



Aruba Balcony Height Stacking Café Chair

24"Wx42"Hx29"D



Aruba Balcony Height Swivel Café Chair

24"Wx42"Hx26"D



Aruba Bar Height Stacking Café Chair

25"Wx44"Hx29"D



Gardenella Contract Sling Chairs

- Powder Coat Aluminum Frame.
 - Available in Sling & Padded Sling.
 - Available Sunbrella Stock Book Program.
 - All Gardenella Sling items are stackable for easy/convenient storage!
 - Four-Position Lay Flat Stacking Armless Chaise features a 14" seating height for easy in and out. 78" when laid flat.
 - Four-Position High Bed Lay-Flat Stacking Armless Chaise features an 18" seating height for additional ease of use. 78" when laid flat.
 - Stacking Sled Base Arm Chair and Stacking Sled Base Sand Chair are extra sturdy on a porch, patio, grass or deep sand!
- S/O Gardenella Contract Sling Chairs



5 YEAR WARRANTY

Gardenella Stacking Arm Chair

23"Wx33"Hx25"D



5 YEAR WARRANTY

Gardenella Balcony Height Stacking Armless Chair

21"Wx43"Hx28"D



5 YEAR WARRANTY

Gardenella Bar Height Stacking Armless Chair

21"Wx46"Hx28"D



5 YEAR WARRANTY

Gardenella Stacking Bistro Chair

21"Wx34.5"Hx25.75"D



5 YEAR WARRANTY

Gardenella 16" Four-Position Stacking Lay Flat Armless Chaise

27"Wx43"Hx69"D
Reclined Length = 78"





Gardenella Sling Chairs

- Powder Coat Aluminum Frame.
- Available in Sling & Padded Sling.
- Available Sunbrella Stock Book Program.
- Telescope first introduced The Gardenella Sling Collection in 1977. Over the last 40 years, we have learned that this simple yet wholesome collection is unstoppable.
- Every item in this collection is stackable for easy and convenient storage.
- Over 1 million units built means this collection has stood the test of time.

S/O Gardenella Sling Chairs



3 YEAR WARRANTY

Gardenella Stacking Arm Chair

24"Wx34"Hx29"D



3 YEAR WARRANTY

Gardenella Stacking Café Chair

23"Wx34"Hx29"D



3 YEAR WARRANTY

Gardenella Stacking Poolside Chair

24"Wx30"Hx33"D



3 YEAR WARRANTY

Gardenella Four-Position Stacking Chaise

26"Wx41"Hx63"D Reclined Length = 76"



3 YEAR WARRANTY

Gardenella Four-Position Stacking Armless Lay Flat Chaise

26.5"Wx66"Dx42.5"H Reclined Length = 77.5"

BAZZA MGP SLING CHAIRS



Bazza MGP Sling Chairs

- Sleek, casual and contemporary collection
- Unique contouring shape of chaise and adjustable back offers exceptional comfort
- MGP remains comfortable in both warmer and cooler weather



1 YEAR WARRANTY

Bazza Swivel Rocker

26.5"Wx38.5"Hx26"D



5 YEAR WARRANTY

Bazza Cafe Chair

26.5"Wx43.5"Hx26.5"D



5 YEAR WARRANTY

Bazza Stacking Cafe Chair

26.5"Wx35.5"Hx25"D



5 YEAR WARRANTY

Bazza Bistro Chair

26.5"Wx35.5"Hx25"D



5 YEAR WARRANTY

Bazza Contour Armless Chaise

30"Wx42.5"Hx85"D



5 YEAR WARRANTY

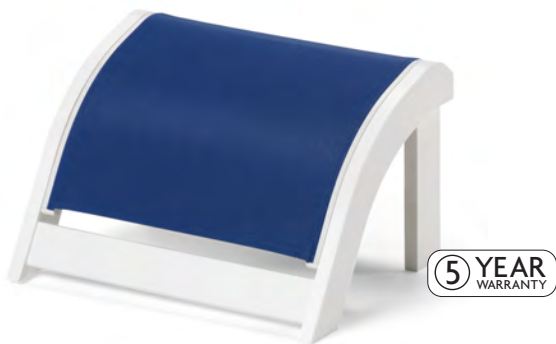
Bazza Armless Double-Chaise

59.75"Wx42.5"Hx85"



Adirondack MGP Sling

- Wide polymer arms are comfortable to the touch on hot and cold days. This collection features hidden stainless steel hardware.
- Both the chair and ottoman ship flat in UPS-able packaging.



Adirondack MGP Sling Ottoman
23"x14"Hx18"D



Adirondack Chat Height Arm Chair
31"wx39"Hx30"D

[Click here to Connect with your Account Manager](#)



Ashbee Cushion

- Clean contemporary style perfect for today's modern resorts
- Modular design allows for endless design possibilities
- The ottoman can be used freely or attached with our furniture clip
- Vinyl strap suspension on the seat provides long term comfort



Ashbee Arm Chair
31.5"Wx33"Hx30"D

3 YEAR WARRANTY



Ashbee Ottoman
28.5"Wx18"Hx28.5"D

3 YEAR WARRANTY



Ashbee MGP Top Coffee Table
28.5"Wx13"Hx28.5"D

3 YEAR WARRANTY



Ashbee End Sectional
30"Wx33"Hx30"D

3 YEAR WARRANTY



Ashbee Armless Chair
28.5"Wx33"Hx30"D

3 YEAR WARRANTY



Ashbee End Sectional
30"Wx33"Hx30"D

3 YEAR WARRANTY



Ashbee MGP Top Corner Table
28.5"Wx21.75"Hx28.5"D

3 YEAR WARRANTY



St. Catherine MPG Cushion Collection

- Stationary ruggedly constructed items perfect for commercial settings
- Vinyl strap suspension on seat and back provides long term comfort
- Fabric panel over frame on back provides an upholstered look



St. Catherine MPG Two-Seat Loveseat
52"Wx36.25"Hx35.25"D

3 YEAR WARRANTY



St. Catherine MPG Three-Seat Loveseat
74"Wx36.25"Hx35.25"D

3 YEAR WARRANTY



St. Catherine MPG Arm Chair
30"Wx36.25"Hx35.25"D

3 YEAR WARRANTY



St. Catherine MPG Swivel Rocker
30"Wx36.25"Hx35.25"D

1 YEAR WARRANTY



St. Catherine MPG Ottoman
22.75"Wx17"Hx21.75"D

3 YEAR WARRANTY



Bazza Benches

- Benches and chairs stack for easy and convenient storage
- Seat and back feature through holes for maximum comfort and aesthetic care
- Available in 10 powder-coated frame finishes and 11 MGP Seat/Back colors



5 YEAR WARRANTY

Bazza 54\"/>

NEW!



5 YEAR WARRANTY

Bazza 56\"/>



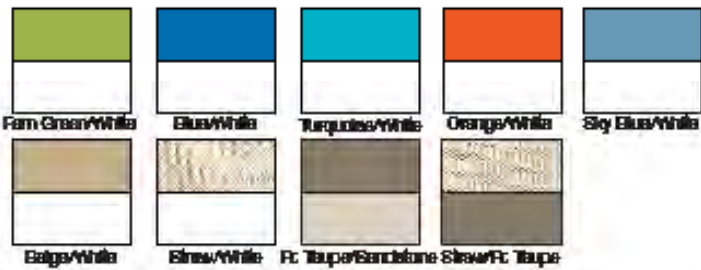
Jamaica Beach Collection

The Jamaica Beach Collection results from a totally innovating concept. The resin chassis rests on six points on the ground. The stretcher that holds the fabric is made of rustproof aluminum. The height of the chaise has been designed in order to be easily raised and lowered. Due to its ergonomic design, the back has four different positions, and the footrest is also adjustable, which increases its comfort. It has two wheels to move it and it is easily stacked and stored.



NEW!

Color options:



[Click here to Connect with your Account Manager](#)



Sunset Collection

The Sunset Lounge Collection offers a unique design with extra-large comfort and ergonomic design. This helps create a friendly and relaxing atmosphere with an aluminum look.



Twin Sunset Sun Lounger

3 YEAR WARRANTY



Sunset Barstool With Arms

3 YEAR WARRANTY



Sunset Armless Barstool

3 YEAR WARRANTY



Sunset Sun Lounger

3 YEAR WARRANTY



Sunset Armchair

3 YEAR WARRANTY



Sunset Lounge

3 YEAR WARRANTY

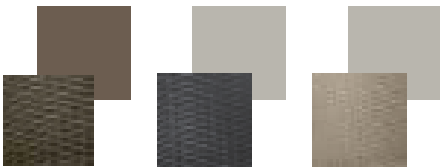




Havana Collection

All-Weather Wicker performance, without the maintenance. Texture will not harbor dirt, sand, food bacteria or fungi. Rated up to 300 lbs weight capacity.

Color Options:



Bronze

Charcoal

French Taupe

NEW!



3 YEAR WARRANTY

Havana Armchair



3 YEAR WARRANTY

Havana Barstool

[Click here to Connect with your Account Manager](#)



Westport Adirondack Collection

Westport Adirondack chairs are fabricated from a Mineral Polymer Composite (MPC) that produces a superior product with a dramatic wood-like finish. The chairs ship fully assembled, easily stackable for daily and seasonal storage. At 22 lbs they are perfect for wind resistance and easy handling. This collection offers lumber support, convenient higher and wider seat with a 400 lbs capacity.



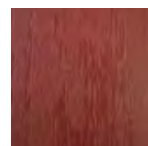
Westport Low Table 16" x 16"



Westport Adirondack Chair



Westport Bench



Realistic Wood Texture Available in French Taupe, White, Barn Red, Barn Blue and Barn Gray

	Barn Red 1-844-771-7171		Barn Blue 1-844-771-7171
	White 1-844-771-7171		French Taupe 1-844-771-7171



Cannes Armchair and Sidechair

- Engineered to last with timeless design and iconic inspiration
- Weather resistant and reinforced with 100% fiberglass resin for extra durability
- Lightweight, easy to clean, and low maintenance for perfect everyday use
- Long lasting comfort
- Stays cool in the hot midday sun
- ASTM-B Tested
- 3-year warranty



3 YEAR WARRANTY

Cannes Sidechair

- | | |
|----------------------------|--------------------------|
| Charcoal
LT 110-002 | Yellow
LT 110-737 |
| French Tempo
LT 110-281 | Sage Green
LT 110-721 |
| Terra Cotta
LT 110-214 | Minted Elm
LT 110-784 |



3 YEAR WARRANTY

Cannes Armchair

- | | |
|----------------------------|--------------------------|
| Charcoal
LT 116-002 | Yellow
LT 116-737 |
| French Tempo
LT 116-181 | Sage Green
LT 116-721 |
| Terra Cotta
LT 116-214 | Minted Elm
LT 116-784 |

ARMCHAIRS

Grosfillex Armchairs

Grosfillex offers a wide variety of sturdy and stackable armchairs. Please note that each model is available in a variety of colors.



Vegetal Armchair



Essenza Stacking Armchair



Colombo Armchair

3 YEAR WARRANTY



Sanibel Classic Armchair

3 YEAR WARRANTY



Sumatra Armchair

3 YEAR WARRANTY



Vogue Armchair

3 YEAR WARRANTY



Acadia Classic Dining Armchair

3 YEAR WARRANTY



Moon Armchair

3 YEAR WARRANTY



3 YEAR WARRANTY

Lava/Fusion Bronze

Sunset 36" Square Table

The Sunset aluminum table is sold complete and made of an HPL tabletop and a base that is cast metal designed with a satin finish. The four flared legs provide for extra chair leg room and extra stability, and will not rust nor get hot in the sun
S/O Lava/Fusion Bronze
380298 White/Glacier White
950111 Concrete/Platinum Gray
380180 Concrete/Volcanic Black



3 YEAR WARRANTY

White/Glacier White



3 YEAR WARRANTY

Concrete/Platinum Gray



3 YEAR WARRANTY

Concrete/Volcanic Black



3 YEAR WARRANTY

Lava/Fusion Bronze

Sunset 48" Round Table

The Sunset aluminum table is sold complete and made of an HPL tabletop and a base that is cast metal designed with a satin finish. The four flared legs provide for extra chair leg room and extra stability, and will not rust nor get hot in the sun
S/O Lava/Fusion Bronze MFG P/N US48C599
S/O White/Glacier White MFG P/N US48C096
S/O Concrete/Platinum Gray MFG P/N US48C289
S/O Concrete/Volcanic Black MFG P/N US48C288



3 YEAR WARRANTY

White/Glacier White



3 YEAR WARRANTY

Concrete/Platinum Gray



3 YEAR WARRANTY

Concrete/Volcanic Black



1 YEAR WARRANTY

Fusion Bronze

Sunset Cocktail Table 24" X 40"

The Sunset cocktail table is the perfect complement to the Sunset Conversational Seating. Easy to assemble and constructed of 100% aluminum/powder coated paint
S/O Fusion Bronze MFG P/N US004599
S/O Glacier White MFG P/N US004289
S/O Platinum Gray MFG P/N US004288
S/O Volcanic Black MFG P/N US004096



1 YEAR WARRANTY

Glacier White



1 YEAR WARRANTY

Platinum Gray



1 YEAR WARRANTY

Volcanic Black



1 YEAR WARRANTY

Fusion Bronze

Sunset 20" X 20" Low Table

The Sunset low table is the perfect complement to the Sunset Conversational Seating. Easy to assemble and constructed of 100% aluminum/powder coated paint
S/O Fusion Bronze MFG P/N US040599
S/O Volcanic Black MFG P/N US040289
S/O Platinum Gray MFG P/N US040288
S/O Glacier White MFG P/N US040096



1 YEAR WARRANTY

Volcanic Black



1 YEAR WARRANTY

Platinum Gray



1 YEAR WARRANTY

Glacier White



Windmaster Square Commercial Umbrella

Built to sustain the unpredictable abuse of the wind, the Windmaster umbrella has a heavy-duty aluminum pole for extra strength, along with replacable fiberglass ribs to bend but not break. Extra large vent to release the wind pressure, and colorfast, easy to maintain Recacril Marine Grade solution died acrylic fabric. Should be lowered in windy conditions. Operators discretion is advised to prevent wind and consequential damage.

Important: All umbrellas must be securely fastened to an appropriate base and closed and tied securely during heavy winds.

Windmaster Color Options:



5 YEAR WARRANTY
FABRIC

3 YEAR WARRANTY
FRAME

6 1/2' Windmaster Square Umbrella

S/O



5 YEAR WARRANTY
FABRIC

3 YEAR WARRANTY
FRAME

7 1/2' Windmaster Square Umbrella

S/O



5 YEAR WARRANTY
FABRIC

3 YEAR WARRANTY
FRAME

9' Windmaster Square Umbrella

S/O

UMBRELLA BASE COLLECTION



1 YEAR WARRANTY

24" Square Umbrella Base

24" square, 16" Stem Height. Allows for a freestanding umbrella with 1.5" pole.



1 YEAR WARRANTY

20" Flat Round Umbrella Base 50 lbs

20" Diameter, 9" Stem Height. Pre-drilled holes for mounting on deck or use with umbrellas through table holes.



1 YEAR WARRANTY

Freestanding Umbrella Base with Wheels 84 lbs

24" Diameter, 16" Stem Height. Cement filled base with a resin cover. Available in White, Sand, Bronze and Charcoal.



1 YEAR WARRANTY

Table Umbrella Base 35lbs

20" Diameter, 10" Stem Height. Specifically designed to hold a table umbrella. Available in White, Sand, Bronze and Charcoal.



1 YEAR WARRANTY

Resin Umbrella Base with Filling Cap 35lbs

21" Diameter, 13" Stem Height. Designed to fit under Grosfillex table. Must be filled with water or sand. Available in White, Bronze, and Black



1 YEAR WARRANTY

Market Umbrella Base 70 lbs

20" Diameter, 16" Stem Height. Cement filled resin umbrella base designed for 2" umbrella pole. Available in White, Sand and Black.



Why choose the Windmaster10 Cantilever?



Windmaster10 Cantilever

The elegant & modern Grosfillex Windmaster10 allows you to maximize your space with its innovative extruded aluminum side mast. Manufactured using the most durable materials and fabric, the Windmaster10 will provide many years of trouble-free use and enjoyment.

Its Infinity Tilt allows you to change positions effortlessly and provides hours of maximum shade regardless of the position of the sun. This modern cantilever is suitable for use in low to moderate wind conditions-up to 40 mph.

Windmaster10 fabric has an outer surface finish enhanced by an Infinity Process – a treatment that ensures the lasting quality of the fabric and superior waterproofing. It is easy to clean, resistant to mold and mildew, won't sag or stretch over time (like lighter weight fabric will), and has an exceptional guarantee against fading.



1. Made of extruded aluminum for years of worry-free use. Wind stabilizer bar engineered and tested to withstand 40 MPH sustained winds.
2. Infinity tilt allows effortless position changes and countless tilt angles (use with caution in high winds).
3. Easy-to-operate crank mechanism for opening and closing.
4. Canopy made with Recacril® Marine Grade Acrylic Fabric. The vent prevents wind from getting trapped and allows air to escape.
5. Comes with matching cover to keep it protected during downtime. Cover includes "easy-on" pole to help reach the top of the umbrella and slide cover on.
6. Free-standing cross base (sold separately) is designed to accept readily available 16"x16" concrete pavers for ballast. The cross base features a low-profile and requires (8) pavers-320 lbs. (not included with base). Ref #: US606017
7. Includes 5-year warranty on frame and 3-year warranty on fabric.



Cantilever Color Options:



1 YEAR WARRANTY



Cross Base for Cantilever Umbrella

39"Wx39"D

Constructed with powder coated steel, uses 16" x 16" paver stones.

[Click here to Connect with your Account Manager](#)



Strongest Available Chlorine

90% Available Chlorine

Our tablets are the strongest on the market. Don't be misled by a lower price on a lower percent of available chlorine. You're paying for a strong bacteria killer. Make sure you get it!

No Fillers

You won't find any in a Leslie's tablet. Some use them to bulk up the tab size in place of more costly active ingredients. Not Leslie's!

Ultra-Violet Ray Inhibitor

The sun burns off chlorine in your pool. Our tablets have an inhibitor added to greatly slow this process down, allowing your chlorine to work longer!

Densely Compressed

Our tablets last longer because of it. We pack them tight so they dissolve slowly in your pool!

Quality Chlorine Tabs

- The strongest tablet you can buy
- 90% available chlorine
- No fillers
- Stabilized to protect against UV rays

Poolfresh® 3" Tablets
12450 50 lb

Leslie's 3" Jumbo Tabs
12423 7 lb
12427 20 lb
12437 35 lb

Stabilized
Chlorine



Chlor Brite®

Quick-Dissolving Concentrated Chlorinating Granular

- For use in all types of pools & spas
- Kills bacteria & algae
- Use for shocking or everyday chlorination
- Fast dissolving
- Provides quick chlorine boost
- Safe in all pools

12061 25 lb
12064 40 lb



Stabilized Chlorine

Bromine Tabs

- Excellent for indoor pools or spas
- No chlorine odor
- 1" tablets fit in all automatic Brominators or inside filter core

14305 25 lb
14306 50 lb



LIQUID CHLORINE

Liquid Chlorine

- Brand, sizing and availability vary by market
- Call for local pricing
- Container deposits separate

14237 4 x 1 gal
14238 2 x 1 gal
14248 5 gal
14249 15 gal
81907 53 & 55 gal
14245 2.5 gal - Florida Only



Available in select markets



Bulk available in most markets.

Leslie's is excited to announce a great program to support our commercial partners. Leslie's Poolmart offers a mini-bulk program that allows for direct delivery of liquid chlorine or acid to your refill tank that can range from 200 – 2,000 gallons. Please contact us today for your local commercial pricing.

TYPES OF CHLORINE COMPARISON CHART

NAME	TRICHLORO-S TRIAZINETRIONE	SODIUM DICHLORO S-TRIAZINETRIONE	CALCIUM HYPOCHLORITE	LITHIUM HYPOCHLORITE	SODIUM HYPOCHLORITE
Common name	Trichlor	Dichlor	Cal Hypo	Lithium	Liquid/Bleach
(%) Available chlorine	85% - 90%	55% - 63%	65% - 75%	35%	10% - 15%
Effect on pH	Lowers	No change	Raises	Raises	Raises
Advantage	Dissolves slowly. Long shelf life. Protected from sunlight. Works in most chlorinators.	Built-in protection from sunlight. Quick-dissolving. No residue. For regular or superchlorination.	Excellent for sanitizing or superchlorination. High percentage of available chlorine. No stabilizer.	Quick-dissolving, will not cloud water. Safe to handle. Dust-free.	Inexpensive. Instant chlorine for superchlorination. Non-flammable.
Disadvantages	Possible stabilizer buildup in commercial pools. Requires a feeder.	Possible stabilizer buildup in commercial pools.	Requires special handling. Calcium may build up. Clouds water. Unstable.	Expensive. Unstable. Lowest chlorine content of dry chlorine compounds.	Short shelf life. High salt content. Unstable. Dissipates rapidly in sunlight. Containers may leak.

[Click here to Connect with your Account Manager](#)

CALCIUM HYPOCHLORITE



Power Powder Plus™

- Our flagship chlorine shock and Superchlorinator goes through an extra refining process to make it dissolve FAST!
- 73% Calcium Hypochlorite – not a watered-down "blended" shock

- 1 lb treats up to 16,500 gallons
- Does Not Increase CYA
- 14679 1 lb Pouch
- 14682 25 lb

Power Powder Granular 70

- 70% available chlorine
- Dosage: 1 lb treats 15,500 gallons
- Does Not Increase CYA
- * *Product Brand may vary by market*

14208 50 lb
14209 100 lb

Power Pro™ Tabs® SI

- Leslie's exclusive 1¼" Blue Calcium Hypochlorite Tablets for commercial applications
- Contains scale inhibiting formula
- Use in a Sani-Tower Chlorination system only (see below)
- Does Not Increase CYA

81110 50 lb

NON-CHLORINE SHOCK OXIDIZER



Fresh 'N Clear

- Chlorine free oxidizer equals superior performance without raising chlorine levels
- Reduces odor and irritation by removing contaminants that cause dull water, odors, burning eyes, and irritation
- Contains a unique clarifier to make water sparkle
- Easy to use - no mixing required, no bleaching effects, no waiting to swim
- For routine pool water treatment, use 1 pound per 10,000 gallons of water every 1-2 weeks, to prevent problems before they start

14540 1 lb
14546 25 lb
14547 40 lb

SODIUM BICARBONATE



Alkalinity Up (Sodium Bicarbonate)

- Raises Total Alkalinity to its proper range (80 – 120 ppm)
 - Stabilizes pH
 - Results in a better balanced pool, more comfortable water and less hassle for you!
 - 1-1/2 lb of Alkalinity Up will raise the Total Alkalinity by 10 ppm in a 10,000 gallon pool
- 14060 5 lb
14063 10 lb
14068 30 lb Pail
14069 50 lb Pail
81292 50 lb Bag
81294 50 lb (Food Grade)
Please call for availability

SODIUM CARBONATE



Soda Ash

- 100% granular sodium carbonate; raises pH in pool water
 - Dosage: If pH is below 7.2, add 1 lb of Soda Ash per 10,000 gallons
- 14730 5 lb
14733 10 lb
14736 30 lb Pail
14737 45 lb Pail
81298 50 lb Bag

CALCIUM CHLORIDE



Hardness Plus

- 94-97% calcium chloride
 - Raises calcium hardness
- 14425 15 lb
14427 25 lb
14428 45 lb
81269 50 lb Bag
(83-87% Calcium Chloride Flakes)
4 lb, 8 lb & 10 lb available
Please call for availability

NEUTRALIZER



Chlor Neutralizer

- Lowers chlorine or bromine level to enhance bather comfort or comply with required maximum ranges
 - Dosage: 2-1/2 ounces per 10,000 gal removes 1 ppm Free Available Chlorine
- 100% Sodium Sulfite
14253 3 lb
14256 25 lb
Sodium Thiosulfate
81276 50 lb Bag
Please call for availability

CONDITIONER



Instant Conditioner

- Instant Pool Water Conditioner with a pool friendly pH
 - Does not contain acid
 - Dosage: 4 oz per 10,000 gallons = 1 ppm increase
 - Dissolves Instantly
- 12323 1 gal



Conditioner (Cyanuric Acid)

- Dosage: 2 lbs per 10,000 gallons to raise 25 ppm
- 12302 4 lb
12305 8 lb
81293 100 lb

SODIUM BISULPHATE



Dry Acid

- 100% sodium bisulphate lowers pH
 - Use when pH is 7.8 or higher
 - Ideal for vinyl and fiberglass pools
 - ANSI
- 14349 2 lb
14353 10 lb
14357 25 lb



Muriatic Acid

- Brand, sizing and availability vary by market
- Economical pH control
- 14015 2 x 1 gal
14235 5 gal
14236 15 gal
81916 53 gal
Bulk deliveries available in selected markets
Liquid Acid Container deposit separate



Acid Magic

- Easier to use
- Excellent pH down & alkalinity adjuster
- Extremely effective acid wash
- Cleans tile, porcelain brick & concrete
- Removes rust, scale, mineral build-up and stains
- Cleans filters, chlorine generators and meter electrodes



- 14292 5 gal
14293 15 gal
14298 30 gal
14295 55 gal
14296 275 gal tote
Please call for availability

STAIN & SCALE PRODUCTS



Pool Refresh

- Reduces the effects of pool water hardness
- Leaves skin and hair feeling soft and moisturized
- Mask chlorine or chemical odors in the swimming pool
- Keep pools fresh all year long
- The perfect weekly treatment for swimming pools
- Dosage: 5 oz for every 15,000 gallons
- Won't affect your water chemistry
- It's the experience you've been waiting for

It has a skin moisturizer to reduce irritation while making your skin feel soft. Each bottle contains a one month supply for the average swimming pool. Add directly into skimmer weekly or after every chemical treatment.

48540 20 oz bottle

WATER CLARIFIERS



Perfect Weekly

- Phosphate Remover, 3L bottle
- Add a capful per 8,000 gallons each week
- Enzyme blend, non-clouding phosphate remover and evaporative water barrier
- Perfect 3-in-1 maintenance product

Combining the benefits of SMARTZyme technology, PHOSfree technology and COVERfree technology, the Perfect Weekly Phosphate Remover provides you with superior water quality with less time spent on maintenance.

Simply add one capful per 8,000 gallons of water into your skimmer and watch your water become more clear! Containing the only broad spectrum enzyme blend, non-clouding phosphate remover and evaporative water barrier, this is the perfect 3 in 1 maintenance product.

13144 3L bottle

WATER CLARIFIERS



Best Seller



Ultra Bright Advanced

- Cloudy to clear water FAST
- Non-foaming
- Effective in high chlorine environments
- Salt system compatible

15916 1 qt

15918 1 gal

Clearex 500 Concentrate

- Exciting, proven and improved concept in pool water clarification aids
- May be applied whenever cloudy water problems occur

14933 1 qt

14934 1 gal

Super Floc

- Settles suspended dirt and particles

14410 1 qt

Oil Out

- Nature's Organic Water Cleaner Enzyme concentrate

14940 1 gal

Alum

- Tried and true granular water clarifier and filter aid
- Quick-dissolving and fast-acting

14070 5 lb

14071 8 lb

SEAKLEAR PRODUCTS

Natural Clarifier

- SeaKlear Natural Clarifier is ideal for preventing common cloudiness, by clearing away dirt and oil

200732 1 qt

14945 1 gal

14948 5 gal



Rescue Klear

- SeaKlear Flagship is blended with scum-fighting enzymes

14957 1 qt

14958 1 gal

14959 5 gal



90-Day Algae Prevention

- Industry leading 90-Day Algae Prevention and Remover offers a 90-day no-algae guarantee

14961 1 qt

14962 1 gal

14966 5 gal



Phosphate Remover

- Our most powerful phosphate removal treatment

14954 1 qt

14953 1 gal

14956 5 gal

S/O 55 gal





Pool Clarifier

- Clears cloudy water
- Improves filtration
- Can be used with shock
- Cannot be overdosed

12314 1 gal
12315 5 gal

Technologies	Chitosan clarifier
Dosing Amount	To Clear Cloudy Water Add 1 oz. per 5,000 gallons Maintenance Add 1 oz. per 7,000 gallons
Product It Replaces	Clear Commercial AF and Clear & Perfect Commercial



Phosphate Remover

- Removes problem-causing phosphates
- Clarifies water

12321 1 gal
12322 5 gal

Technologies	Phosphate remover & clarifier
Dosing Amount	See dosing chart on label for bulk removal doses. Two ounces will remove 1,000 ppb in 10,000 gallons of water Weekly maintenance dose is 1 oz. per 6,000 gallons
Product It Replaces	PHOSfree Commercial AF



Power Blend

- Reduces scum lines, filter cleaning and evaporation
- Removes phosphates
- Polishes water

12312 1 gal
12313 5 gal

Technologies	Enzymes, phosphate remover & clarifier
Dosing Amount	Add 1 ounce per 2,000 gallons of pool water weekly
Product It Replaces	New formula



We're the Nation's Largest Service and Installation Team

Equipment Installation & Repair

- Pumps
- Filters
- Chlorinators
- Heaters
- Motors
- Hand Rails
- Safety Covers
- Time Clocks
- Chemical Automation Systems
- Plumbing Repairs

Maintenance

- Acid Wash (select areas)
- Filter Sand Change
- Filter Cleaning
- Salt Cell Cleans
- Heater Diagnostic
- Open/Close Pool
- Tile Cleaning (select areas)
- Pool Draining
- And More. . .



AZ-Res-ROC122732, AZ-Comm-ROC256424, CA-755161, CT-PLM.0284528-SP,FL-CPC057127, FL-26806, NC-28806-SP-SP, NJ-13VH04768200, NV-35903, NY-44003-H,NY-H28063502, PA-PA067663, TX-TICL232

[Click here to Connect with your Account Manager](#)

MINERAL TREATMENT



Eliminates and Prevents All Algae.
Reduces Chemicals, and lasts up to 6 Months! PoolRx is ideal to use with Chlorine, Salt, UV or Ozone Systems. It can support any size body of water and is perfect for Residential and Commercial use.

Booster Mineral Bucket and Commercial Unit

- Treats up to 300,000 gallons
- 305429 *White Commercial Unit Only*
- 15494 Bucket

PoolRx Black Unit

- Treats 20,000 to 30,000 gallons
- 15491 1 pk 15482 4 pk

PoolRx Blue Unit

- Treats 7,500 to 20,000 gallons
- 15486 1 pk 15481 4 pk

PoolRx Spa Mineral Units

- Treats 100 to 400 gallons
- 15467 1 pk Yellow
- Treats 400 to 1,000 gallons
- 15488 1 pk Black

PoolRx Booster Mineral

- Treats 7,500 to 20,000 gallons
- Add every 4 to 6 months
- 15466 1 pk 15493 4 pk



ALGAE REMOVER

Algae Control

- Leslie's Algae Control is perfect for destroying algae present in your pool, but also serves as a preventer. Weekly use will keep your pool algae-free all season long
- 60% active ingredient is the strongest formula available
- Will not stain pool or fixtures and does not foam up like other algae cleaners
- Can be used with fiberglass, vinyl, tile and colored plaster pools
- Perfect for spas, hot tubs and outdoor fountains
- Destroys and prevents most types of pool algae including pink algae
- Just a few ounces of Leslie's Algae Control will clean your entire pool

14025 1 qt 14030 1 gal
14028 1/2 gal



90-Day Algae Prevention

- Industry leading 90-Day Algae Prevention and Remover offers a 90-day no-algae guarantee

14961 1 qt
14962 1 gal
14966 5 gal



Skill-It

- Fast acting super effective algaeicide that removes even the toughest black algae
- Eliminates all algae types quickly
- No pH adjustment required
- Contains no heavy metals

14051 1 qt
14052 1 gal



Yellow Out

- Safely cleans up all forms of algae
- Non-metallic, fast acting
- Dissolves rapidly

14990 | 15990 2 lb
14991 | 15991 4 lb
14993 | 15993 20 lb

Green To Clean

- Specially formulated for Green Algae
- Non-metallic, fast acting
- Dissolves rapidly

14975 | 15975 2 lb
14976 | 15976 4 lb
14977 20 lb



Copper Algaecide

- Highly concentrated chelated copper formulation for killing algae
- Copper is known to be highly toxic to algae, especially yellow and black algae

14008 1 qt



Black Algae Killer

- Uniquely blended formula
- Best algaecide to use for stubborn algae, such as black algae

14007 1 qt
14024 1/2 gal



Watch a Yellow Out and Green to Clean demonstration online by visiting www.yellowout.com



MAIN BENEFITS OF ACTIVATE

3 reasons why activate is a more effective filter media than sand:

- 1 Better filtration with up to 300 times more surface area than sand for cleaner water.
- 2 Attracts and captures harmful bacteria with a negatively charged filter media for cleaner water.
- 3 Prevents the growth of bacteria and algae with a self-sterilizing surface for healthier water.



Activate

Activate permanent filter media is used in more than 250,000 pools. It is trusted by industry professionals as the best product for creating clear water and a healthier swimming environment.

Fine Filter Media Grade 1
902029 25lb



Activate is 100% pure and resistant to bacteria.

Enhance

Enhance Summer is a liquid UV filter that promotes the removal of pollutants. For optimum performance combine Active with Enhance

904967 1 gal



LAYORCARE POOL & PATIO PROTECTION



Cal Block

- Protects waterline & all surfaces from damage caused by calcium & efflorescence
- Easy to apply by sprayer or brush
- Keeps surfaces looking like new & easier to maintain

14383 1 qt
14384 1 gal



Heavy Calcium Releaser

- Removes calcium and mineral deposits
- Use on pool tile & decks, natural stone, water features & more
- Won't affect pools pH levels
- Won't etch most surfaces

14379 1 qt
14380 1 gal



TR3

- Hides light scale build up
- Restores original color and wet look finish
- Guards against future waterline calcium and makes surfaces easier to keep clean
- Won't etch most surfaces

14355 1 qt
14360 1 gal



No-Slip

- New Micron engraving technology
- Increases the coefficient of friction on wet surfaces
- Safe and easy to use

14372 1 gal

[Click here to Connect with your Account Manager](#)



Commercial Test Kits

- Designed for the comprehensive, routine testing required for public and semi-public pools
- Test for free and combined Total Chlorine, Total Bromine, pH, acid and base demand, Total Alkalinity, Calcium Hardness and Cyanuric Acid

81325 2 oz Bottles
81330 .75 oz Bottles



TEST KITS AVAILABLE IN SPANISH



Test Kit, DPD

- Accurately test for:
 - Free Chlorine
 - Total Chlorine
 - pH and Total Alkalinity

18547 Test Kit DPD
18571 Basic Test Kit DPD
18553 Basic Test Kit Refill Pack



FAS DI

- Titration Testing of Free Chlorine
- Portable & practical for on and off-site testing
- Contains all the necessary reagents & equipment
- DPD can test FAC to 25 ppm undiluted

Perfect to meet requirements of Accidental Fecal Release (AFR) protocols

81329 FAS DPD Test Kit .75 oz bottles
200214 FAS DPD Test Kit 2 oz bottles

TAYLOR TTI 2000 COLORIMETER

TTi 2000 Colorimeter

You already know you can trust Taylor chemistries. Now, get that same reliable performance from a handheld meter! The TTI® 2000 Colorimeter (M-2000) for testing pools and spas can be used to monitor more than a dozen parameters. User-friendly features include the ability to create your own menus of favorite tests, adjustable backlighting on the large liquid crystal display, and an auto-read function on the test timer, so you never miss seeing a result because you got preoccupied with other tasks. Unlike competing models, our meters come with data interface software, an AC power adapter, a USB cable, and all other essentials. The meter also offers free lifetime software upgrades as new tests are developed, an industry-best five-year warranty, and the tech support Taylor is renowned for.

Optional accessories include: an Accuracy Check Kit (K-8000) with five standards to verify instrument performance and an attaché-type carrying case (#9504) or soft carrying case (#7146).

S/O



TAYLOR LIQUID REAGENTS

REAGENT	TAYLOR#	.75 oz	2 oz	16 oz
DPD No. 1	R-0001	81340	81341	•
DPD No. 2	R-0002	81345	81346	•
DPD No. 3	R-0003	81350	81352	•
pH Indicator Solution	R-0004	81355	81356	81357
Acid Demand Reagent (ADR)	R-0005	81360	81358	81354
Base Demand Reagent (BDR)	R-0006	81365	81361	81362
Thiosulfate N/10	R-0007	81370	81367	81366
Total Alkalinity Indicator	R-0008	81375	81372	81371
Sulfuric Acid .12N	R-0009	81380	81377	81376
Calcium Buffer	R-0010	81385	81382	81381
Calcium Indicator Liquid	R-0011	81390	81387	81386
Hardness Reagent	R-0012	81395	81396	81394
Cyanuric Acid Reagent	R-0013	81411	81398	200275
Phenol Red Indicator	R-1003J	S/O	81337	905064
Chromate Indicator	R-0630	•	•	•
Silver Nitrate	R-0718	200332	200333	•
FAS-DPD Titrating Chlorine	R-0871	81348	81349	•
FAS-DPD Titrating Bromine	R-0872	•	200395	•
Phosphate Reagent #1	R-0980	•	•	•
Phosphate Reagent #2	R-0981	200418	•	•
Deox Reagent	R-0867	200380	81408	•

Taylor Powdered Reagents

REAGENT	TAYLOR#	10 gram	50 gram	.25 lb
DPD Powder	R-0870	81331	•	81332

Protection From the Elements



Both AQUA-SHIELD PRO[®] and NEPTUNE[™] are designed and constructed to provide your customers additional layers of protection against the elements.

AQUA-SHIELD PRO is built for service professionals like you, with a top-mounted conduit box making installation easy. The totally enclosed fan-cooled (TEFC) aluminum finned design protects the motor from moisture and heat, giving your customers a product with longer service life. AQUA-SHIELD PRO will be available exclusively through pool industry professionals or distributors.

The NEPTUNE Variable Speed Pool Pump Motor is a direct replacement motor designed to reduce energy usage associated with a pool pump by up to 90%. There is no longer a need to replace the entire pump to gain energy savings associated with variable speed. The TEFC finned aluminum design helps extend field life by protecting components from moisture and debris. This line of motors is compliant with Title 20 regulations, CEC requirements, and the proposed DOE rule. With an integrated control, simply set the time of day and the default programming will save on utility expenses, keep chemicals balanced, water clear, and keep the filter efficiency maintained.

To learn more about our motor lines,
visit usmotors.com/pool-spa

Nidec

NIDEC MOTOR CORPORATION



© 2019; All Rights Reserved. U.S. MOTORS[®] is a registered trademark of Nidec Motor Corporation. Nidec Motor Corporation trademarks followed by the

® symbol are registered with the U.S. Patent and Trademark Office.

www.nidec-motor.com



Designed For Service Tech Pool Operators and Retail Professionals

- Reliable Results
 - Super Fast & Simple
 - Auto-Record Keeping
 - New 3-Use Disk Cuts Costs
 - Rugged and Portable
 - In-Store Testing
- 381491



*Disks Sold Separately

WaterLink® Spin Touch™

The innovative WaterLink® Spin Touch™ photometer does all your pool and spa water testing for you. Each sealed reagent disk contains the precise amount of reagent needed to run a complete series of tests. Just fill one unique spin reagent disc with less than 3 ml of water and all your vital tests are done automatically. In just 30 or 60 seconds all the test results are transferred into the Waterlink® Solutions PRO* and analyzed to display results and recommend precise treatment instructions.

This is the most advanced system for precise use of wet chemistry methods ever produced! Now pool and spa analysts can achieve precision without time consuming test and clean-up procedures. This ground-breaking analysis system is so simple anyone can use it! No vials to fill, no prep time, no guessing!

- 3581 Mobile Waterlink® Spin Touch™ Lab w/Carrying Case (without software)
- 3582 Mobile Commercial Waterlink® Spin Touch™ Lab w/Carrying Case (without software)
- 1768 *Waterlink® Solutions PRO

Reliable Results

- Virtually Eliminates User-Error
- Pre-Measured Reagents and Pre-Measured Sample
- Exact Reaction Time and Auto-Blanking
- Meter Calibration Check System
- 6-Wavelength Photometer

Super Fast & Simple

- 30 Seconds for 3-Test Disk, 60 Seconds for 10-Test Disk
- Fill Disk and Insert > Tap "Start Test" > Read Results

Auto-Record Keeping

- Stores Test Dates, Times, Results
- Upload to Cloud, Download to Computer, Print to Bluetooth Printer (Code 5-0066)

Stand-Alone or Cloud Ready!

- No Computer, Smartphone, or Tablet Needed
- Touchscreen Operation (multi-lingual)
- Communicate through Bluetooth or USB

New 3-Use Disk

- 3-Use Disk - Results in 30 Seconds!
- Meter Knows Which Test Section is New Test
- Also Runs 10-Test Disks for Full Test Series Results in 60 Seconds!

Rugged and Portable

- Innovative Water-Resistant Housing
- Internal, Rechargeable Batteries
- Optional Heavy-Duty, Waterproof Carrying Case

Advanced Cloud Software

- Android and iPhone WaterLink Connect Apps Enable Live Connections to Mobile Cloud Software
- DataMate® Web Software Offers Treatment Recommendations, Test Result Collection, Service Scheduling, E-Door Hanger Emails and Much More!



WATERLINK® SPIN DISK SERIES

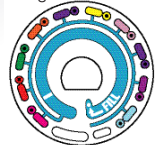
The genius behind the Spin Touch® is its Patented Centrifugal Fluidics Reagent Disk – designed to analyze 10 or 3 parameters simultaneously!

MFG part#	4328-H	4329-H	4330-H	4331-H	4334-H
Uses per Disk	Single	Single	Single	Single	3

Test Parameter	Range	4328-H	4329-H	4330-H	4331-H	4334-H
Free Chlorine (DPD)	0-15 ppm	•	•	•		•
Total Chlorine (DPD)	0-15 ppm	•	•	•		•
Bromine (DPD)	0-33 ppm	•	•	•		•
pH	6.4-8.6	•	•	•	•	•
Calcium Hardness	0-800 ppm	•	•	•	•	
Total Alkalinity	0-250 ppm	•	•	•	•	
Cyanuric Acid	5-150 ppm	•	•	•		
Copper	0-3.0 ppm	•	•	•	•	
Iron	0-3.0 ppm	•	•	•	•	
Salt	0-5000 ppm	•	•	•		
Phosphate	0-2000 ppb		•			
Borate	0-80 ppm			•	•	
Biguanide	0-70 ppm				•	
Biguanide Shock	0-250 ppm				•	

10 Test Parameters Disks

Ideal for Service, In-Store, and Public Pool Testing

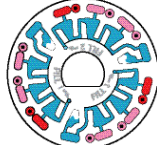


60
SECONDS

See Test Parameters in Chart at Right

Test 3 Parameters, 3 Times!

Ideal for Public Pool Testing Throughout the Day



30
SECONDS

See Test Parameters in Chart at Right



Recycle your disks! Ship us your used disks, we'll grind and recycle them. For details, go to waterlinkspintouch.com/support.

Service companies, public pool operators, health inspectors, hotels, water parks, resorts, retail stores – can now have eyes on pool water anywhere, any time

For Service Professionals

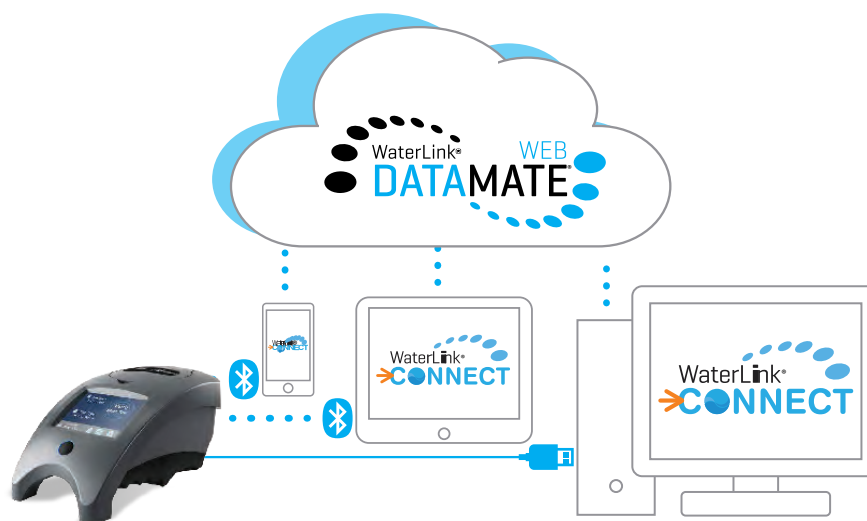
- New advanced Scheduling and Routing
- "e-Doorhangers" quickly capture date, time, description of work done in an email to clients from technicians on-site
- Complete history kept for every client showing dates, times, water test results and work done

For Stores

- Share customer data across multiple stores, including field service testing (one database of all customer data regardless of location - whether in-store or on-site testing)
- Data is securely stored, maintained, and backed-up
- Customizable step-by-step treatment recommendations

For Pool Operators

- Instant treatment instructions based upon test results, pool volume, and type
- Log date, time, and test results for complete history for single pool or multiple bodies of water
- Remote viewing of live and historical testing data by anyone given access...management, health departments, even the public



[Click here to Connect with your Account Manager](#)

POOL & SPA TEST STRIPS

A. Leslie's 5-in-1 Test Strips

Free Chlor, Alkalinity, Cyanuric Acid, & pH
18850 30 Strips

B. Leslie's 7-in-1 Test Strips

Free Chlor, Alkalinity, Total Chlor
18851 30 Strips

C. Leslie's Salt Test Strips

18853 10 Strips

D. InstaTest Borate Test Strips

Borate levels 0, 15, 30, 50, 80ppm
18728 25 Strips

E. InstaTest Nitrate Test Strips

Nitrate levels 0, 10, 30, 60, 120, 200ppm
18729 25 Strips

F. Phosphate Test Strips

18510 10 Strips

G. InstaTest Copper & Iron Test Strips

Copper and Iron Levels
18730 25 Strips



LAMOTTE

ColorQ 2x PRO 7 Code 2086

The ColorQ 2x PRO 7 photometer was designed for pool and spa professionals to measure seven primary pool and spa tests on a digital display. Kits use liquid reagents to each factor except Hardness and Cyanuric Acid, using instrument grade TesTabs® tablets. See chart below.

Factors | Ranges

- Free Chlorine | 0-10 pm
- Total Chlorine | 0-10 ppm
- Bromine* | 0-22 ppm
- pH | 6.5-8.5
- Alkalinity | 0-250 ppm
- Hardness | 0-400 ppm
- Cyanuric Acid | 0-125 ppm



ColorQ PRO 6 Code 2072

The ColorQ PRO 6 photometer kit measures six key pool tests on a digital display. Features liquid reagents for four tests and stable instrument grade TesTabs® tablets for Calcium Hardness and Cyanuric Acid measurement.

Factors | Ranges

- Free Chlorine | 0-10 pm
- Total Chlorine | 0-10 ppm
- Bromine* | 0-22 ppm
- pH | 6.5-8.5
- Alkalinity | 0-250 ppm
- Calcium Hardness | 0-400 ppm
- Cyanuric Acid | 0-125 ppm

S/O ColorQ Pro 6



ColorQ PRO 7-PLUS Code 2064

The ColorQ PRO 7-Plus pool photometer directly measures the seven primary tests on a digital display. The ColorQ PRO 7-Plus meter, Pool Manager Water Quality Handbook, Saturation Index Calculator, reagents and trilingual instructions (English, Spanish, French) are packaged in a rugged carrying case.

Factors | Ranges

- Free Chlorine | 0-10 pm
- Total Chlorine | 0-10 ppm
- Bromine* | 0-22 ppm
- pH | 6.5-8.5
- Alkalinity | 0-250 ppm
- Calcium Hardness | 0-700 ppm

903548 ColorQ Pro 7-Plus



Legionella Field Test Kit Code 7-2100

The Legionella Field Test uses Lateral Flow Immunochromatographic Assay (LFICA) technology to detect the presence of cell surface antigens from Legionella bacteria. It uses Legionella antibodies, tagged with red nanoparticles, which bind to any bacteria found in the sample and make them visible on a line on the device. The test works just like a pregnancy test.

Factors | Ranges

- The test detects Legionella pneumophila serogroup 1 (LpSGI).
- With filtration step, the sensitivity of the water test is 100 CFU/L.
- The test detects Viable-But-Non-Culturable Bacteria and Legionella SGI in all stages of its life-cycle.
- No need to measure or dilute solutions.

382810



ColorQ PRO 7 Code 2056

The ColorQ PRO 7 photometer was designed for pool and spa professionals to measure seven primary pool and spa tests on a digital display. Kits use liquid reagents to each factor except Cyanuric Acid, using instrument grade TesTabs® tablets.

Factors | Ranges

- Free Chlorine | 0-10 pm
- Total Chlorine | 0-10 ppm
- Bromine* | 0-22 ppm
- pH | 6.5-8.5
- Alkalinity | 0-250 ppm
- Calcium Hardness | 0-700 ppm
- Cyanuric Acid | 0-125 ppm

82068 ColorQ Pro 7
82097 Refill Pack



ColorQ TesTabs® PRO 7 Code 2057

The ColorQ TesTabs® PRO 7 photometer directly measures seven pool & spa tests using stable tablet reagents. Instrument grade tablets are packaged in blister-style foil and dispensed by pressing the tablet through the foil.

Factors | Ranges

- Free Chlorine | 0-10 pm
- Total Chlorine | 0-10 ppm
- Bromine* | 0-22 ppm
- pH | 6.5-8.5
- Alkalinity | 0-250 ppm
- Calcium Hardness | 0-400 ppm
- Cyanuric Acid | 0-125 ppm

900899 ColorQ TesTabs Pro 7
82099 Refill Pack



Lamotte Pool Manager Tablet Reagents

REAGENT	50 (TESTABS)	100 (TESTABS)	1,000 (TESTABS)
Chlorine DPD 1R	•	82022	82031
Chlorine DPD 3R	82014	82023	82032
Chlorine DPD 3R	82015	82024	S/O
Phenol Red pH	82016	82025	82034
Alkalinity	82017	82026	82035
Calcium Hardness	82019	82028	82037
Cyanuric Acid	82018	82027	S/O

Lamotte ColorQ Liquid Reagents

REAGENT	LAMOTTE	30 ml	60 ml
DPD 1A	6740	82080	82074
DPD 1B	6741	82081	82075
DPD 3	6743	82082	82076
pH Reagent	7037	82083	901002
Total Alkalinity	7038	232106	•
Calcium Hardness 1	7042	82085	901004
Calcium Hardness 2	7041	82086	900186

TesTabs® Reagents	50 Pack	100 Pack	1000 Pack
Chlorine DPD #1 RAPID	•	82022	82031
Chlorine DPD #3 RAPID	82014	82023	82032
Chlorine DPD #4 RAPID	82015	82024	S/O
pH (Phenol Red)	82016	82025	82034
Alkalinity	82017	82026	82035
Cyanuric Acid	82018	82027	S/O
Calcium Hardness	82019	82028	82037
MPS-OUT (Monopersulfate Eliminator)	S/O	82029	•
Phosphate, Low Range	82021	82030	•



DPD TesTabs®

The only North American manufacturer of DPD tablets! LaMotte's blisterstyle foil packaging allows users to dispense a tablet into a small vial by pressing the tablet through the foil. The package carries 10 tablets per strip in a compact 3.35" x 1.35" size. LaMotte DPD rapid dissolving formulas for measuring Free and Total Chlorine are enhanced for faster dissolution. **Visual grade tablets are not for use with photometers.**

DPD Liquid Reagents

The liquid alternative to DPD tablets can be used with existing LaMotte Chlorine comparators. DPD 1A and DPD 1B are added to a 5 or 10 mL sample to test Free Available Chlorine. DPD 3 is added to the reacted sample to measure Total Chlorine. Liquid reagents are also available to measure pH, Hardness, Alkalinity and Copper (see the Pool & Spa Price list).

30 mL (1 oz)		60 mL (2 oz)	
Code		Code	
DPD 1A	82080	DPD 1A	82074
DPD 1B	82081	DPD 1B	82075
DPD 3	82082	DPD 3	82076



Lamotte ColorQ Tablet Reagents

REAGENT	50 TESTABS	100 TESTABS	1,000 TESTABS
DPD 1 Instrument Grade	900059	900317	900017
DPD 3 Instrument Grade	404576	S/O	900018
pH Instrument Grade	900057	900318	900019
Alkalinity Instrument Grade	900058	900319	900020
Calcium Hardness Instrument Grade	901696	900021	S/O
Cyanuric Acid	•	82091	437508

Pure White - LED Light



Incandescent Light



The J&J Difference

J&J Electronics, LLC is an innovative and dynamic technology company founded in 1982 now specializing in LED Lighting design, engineering and manufacturing of high quality, competitively priced LED Lighting for several markets to include new and replacement applications in commercial and residential pools, spas and fountains. J&J has maintained this standard in the LED market with the performance of our core LED brands: Color Splash®, PureWhite®, ColorGlo™ and ColorCHOICE™. As a result, we are considered the premier source of solid state lighting to the pool and spa industries, as well as fountain and architectural markets. J&J is driven to continue manufacturing products that offer uncompromising quality and unparalleled, feature-driven performance.

Pure White LED Pool Light Fixture

- Uses 90% less electricity than standard bulbs
- Rated for up to 50,000 hours of use and reduces maintenance costs



J & J Electronics
6 Bendix, Irvine, CA 92618 • 949.334.8778 • www.colorgloledlighting.com



Pentair Intellibrite White 5G Light



Hayward Crystal Logic



J&J PureWhite LED Light



Pentair SpaBrite Spa Light



Hayward Spa Sunburst Frame Clear



Hayward Spa White Frame Clear

Pentair Intellibrite White 5G Pool Light Fixtures

Product	Voltage	Wattage Equivalency	Actual Wattage	Cord Length
300104	120	300	40	50'
300105	120	300	40	100'
318177	120	300	40	150'
300109	120	500	55	50'
54174	120	500	55	100'
301265	120	500	55	150'

Pentair Intellibrite White 5G Spa Light Fixtures

Product	Voltage	Wattage Equivalency	Actual Wattage	Cord Length
300123	120	100	18	50'
54179	120	100	18	100'
321466	120	100	18	150'

J&J Electronics Purewhite Led Pool Light Fixtures

Product	Voltage	Wattage Equivalency	Actual Wattage	Cord Length
54191	120	300	39	50'
54190	120	300	39	100'
54192	120	300	39	150'
54166	120	500	58	50'
54167	120	500	58	100'
54168	120	500	58	150'

J&J Electronics PureWhite LED Spa Light Fixtures

Product	Voltage	Wattage Equivalency	Actual Wattage	Cord Length
54201	120	100	18	50'
54199	120	100	18	100'
54200	120	100	18	150'

Pentair Amerlite Incandescent Pool Light Fixtures

Product	Voltage	Wattage	Cord Length
54031	120	500	50'
54037	120	500	100'
S/O	120	500	150'

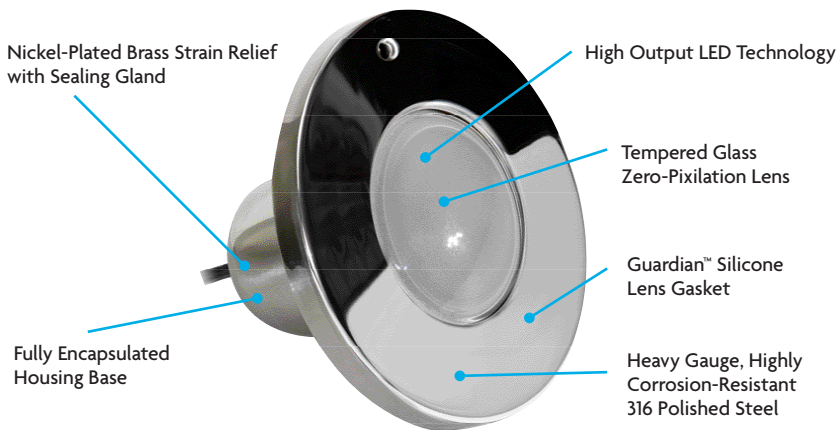
Hayward Astrolite Incandescent Pool Light Fixtures

Product	Voltage	Wattage	Cord Length
54030	120	500	50'
220869	120	500	100'
S/O	120	500	150'



Pictures courtesy of J & J Electronics

PUREWHITE LED POOL LIGHT FIXTURES



PureWhite Advantages

- \$33 a year to operate
 - Uses less energy – up to 90%*
 - Lasts up to 50,000 hours – 20x longer life**
 - Enhances pool water appearance – looks clearer and cleaner
 - Enhances dark finish pools - commercial and residential
 - Installs easily – compact fixture depth allows bottom catch visibility from pool deck
- *Hi Series compared to incandescent lamps
**Compared to incandescent lamps

Usage Cost Comparison

	PureWhite		Incandescent	
	Li Series: 33	Hi Series: 58	300	500
Watts				
Life Span (hrs)	50,000	50,000	2,500	2,500
Life Span (yrs)*	11.42	11.42	.57	.57
Annual Energy Cost**	\$22	\$33	\$171	\$285
Annual Maint Cost***	\$0	\$0	\$219	\$219
Total Annual Usage Cost	\$22	\$33	\$390	\$504

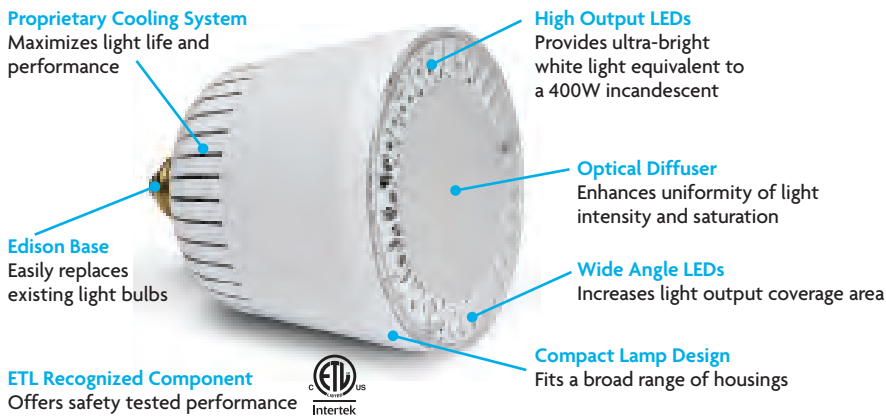
*Based on 12 hours of usage per day, 365 days per year.
**Based on electricity cost of \$0.129 per KWh.
***Based on replacing bulb and gasket 1.75 times at \$50 per replacement and one hour of labor per replacement at \$75/hr.

Li Savings: \$368
Hi Savings: \$471

Specifications

Model	F1W	F2W	F5W	S1W
Lumens	2,400	3,900	4,500	500
Wattage	39W	58W	87W	13W
LED Color	6500K			
Equivalent	300W	500W	500W+	100W

LED REPLACEMENT LAMPS



PureWhite 2 Advantages

- \$25 a year to operate
 - Energy efficient, 45 watts or less
 - Fully dimmable
 - Lasts up to 50,000 hours - 20x longer life*
 - Replaces existing light bulb – eliminates expense of replacing housing
 - Enhances pool water appearance -looks clearer and cleaner
 - Instant operating expense savings and break even within one year
- *Compared to incandescent lamps

ETL Recognized Component
Offers safety tested performance

Usage Cost Comparison

	PureWhite 2		Incandescent	
	45	300W	400W	500W
Watts				
Life Span (hrs)	50,000	2,00	2,500	2,500
Life Span (yrs)*	11.42	.57	.57	.57
Annual Energy Cost**	\$25	\$170	\$226	\$283
Annual Maint Cost***	\$0	\$306	\$306	\$306
Total Annual Usage Cost	\$25	\$476	\$532	\$589
Annual Savings		\$450	\$507	\$563

*Based on 12 hours of usage per day, 365 days per year. **Based on electricity cost of \$0.129 per KWh.
***Based on replacing bulb and gasket 1.75 times at \$50 per replacement and one hour of labor per replacement at \$75/hr.

Specifications

	LPL-P2 (pool)	LPL-M1 (spa)
Dimensions		
Front Diameter	4.89" (124mm)	3.07" (78mm)
Depth*	5.45" (138mm)	2.41" (61mm)
Lumens (7500K)	2175	N/A
Power Consumption & S Series		
120VAC	41W (S-Series 41W)	13W (S-Series N/A)
14VAC	42W (S-Series 36W)	10W (S-Series N/A)



LADDER/SLIDE PARTS



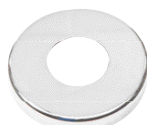
621151



501951



28515



28509



28500



28510



Handrail Stabilizing Plug

621151 Carbon Fiber 136-A 1.90"

Safatron Anchor Socket Cover

501951 White 5.75" cap with 1.93" plug

Escutcheons

28515 Oval Escutcheon Chrome

28509 Escutcheon Cover Chrome

Bumper/Caps

28500 Ladder Bumper 2-pack

28510 Ladder Cap 2-pack

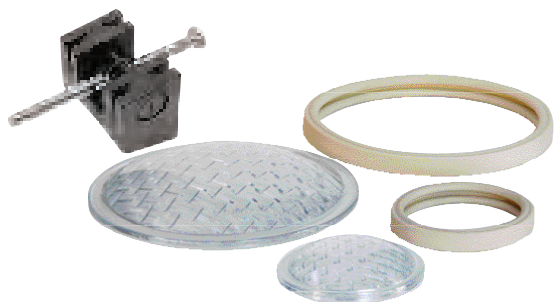
More available

Safatron 3 Step Ladder Refurbishing Kit

Contains 3 steps, 3 sets of hardware, 2 bumpers and 2 escutcheons
366882

Over 25,000 parts. If you need it, Leslie's has it!

POOL/SPA LIGHT PARTS



Light Lenses, Gaskets and Adapters

64500 American Products Gasket

54464 Light Lens Clear

64505 Small Light Gasket

611148 Light Lens Clear

64520 Hayward Light Gasket

54461 Light Lens Clear

64563 Swimquip Light Gasket

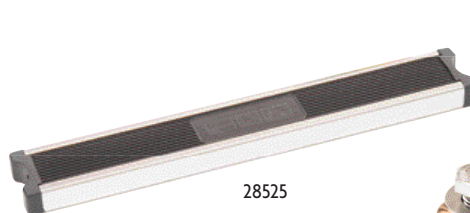
54482 Light Lens Clear

54540 Pool Light Wedge

54500 S/O Face Ring Adapters

American Products

SR SMITH LADDER PARTS



28525

Ladder Step

28525 SRS 20" Ladder Step



609170

28530

609296

Bronze Anchors

28530 3" Bronze Deck Anchor

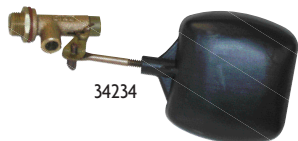
609170 Anchor Wedge

609296 Bronze 4" Deck Anchor

MISCELLANEOUS PARTS



34233



34234



Return Fitting HA

30225 SP1419E

30220 SP1419D

Universal Return

68077 1-1/2" Threaded



Debris Shield

- Reduces maintenance
 - Extends filter cycles
 - Capturing more debris than skimmer baskets alone
- 20732 5-pack



Vac Lock

Vac lock allows you to hook up your suction cleaner line and holds it in place. It also locks out the suction line when the cleaner is out of the pool. A must for safety in all pools.

- Locks pool suction-side port
- 58940

PVC Auto Fill

Used to maintain the water level of a pool, spa or pond automatically and unattended

34233 S/O PVC Auto Fill

Bronze Auto Fill

Used to maintain the water level of a pool, spa or pond automatically and unattended

34234 Bronze Auto Fill

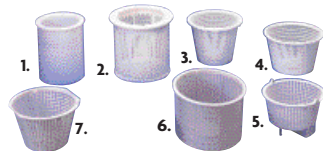
SKIMMER BASKETS



Pump Baskets

1. 36090 Hydramax/Hayward Super II/ Hayward RS
2. 36047 America Ultra-Flow
3. 36343 Pac Fab Challenger
4. 36440 Sta-Rite Dura-Glass Fine
5. 36437 Sta-Rite Maxiglass
- 36380 WhisperFlo
- Not Pictured
- 36095 Hayward Northstar
- Not Pictured
- 617000 Jandy Stealth Plus, Max HP
- Not Pictured

Many other sizes available



Skimmer Baskets

1. 34235 American Products Float Skimmer
2. 36530 A/P Cicolac top 8-7/15", bottom 7-1/2", ht. 7-3/4"
3. 36565 Baker Hydro top 7-13/14", bottom 5", ht. 6"
4. 36840 Swimquip & Swimrite top 8-5/16", bottom 5-3/4", ht. 5-3/16"
5. 36795 Pac Fab top 7-1/4", bottom 5-3/8", ht. 4-5/8"
6. 36500 American Products top 6-1/4", bottom 4", ht. 3-7/8"
7. 36680 Hayward SP1082 top 7", bottom 6-1/2", ht. 5"

Many other sizes available



Skimmer Basket Handle

- Allows you to remove the skimmer basket without getting your hands wet, avoiding the critters, even the ones you can't see
- Handle sits above the waterline, and above the creepies in your basket

Debris Shield

- Reduces maintenance
- Extends filter cycles
- Capturing more debris than skimmer baskets alone

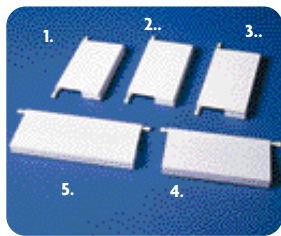


FloSkim Basket

- Tower vent design
 - Allows water to circulate through skimmer when full of debris
 - Helps prevent damage to pump and motor
 - Easily removable
 - Avoid putting your hands in the debris
- 36052 Fits Sta-Rite U3 & Hayward 1070 skimmer
36054 Fits Hayward 1080 skimmer
36053 Fits Baker Hydro skimmer

Over 25,000 Parts Available!

WEIR FLAPS

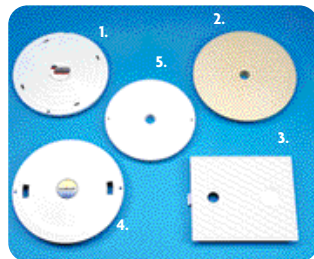


Weir Flaps

- Keeps leaves and debris trapped in the skimmer
 - Maximizes skimming
1. 34909 8" American Products
 2. 34965 8-3/8" Swimquip
 3. 34948 8-3/8" Hayward SP1070
 4. 34924 8 3/8" Universal

Call for Details

REPLACEMENT COVERS



Skimmer Covers

- This is just a sample of the many covers we offer
1. 34410 American Products 9" Lid
 2. 34420 Baker Hydro Lid
 - 34430 Hayward Round Lid SP 1096B Not Pictured
 - 34435 Hayward Round Lid SP 1084R Not Pictured
 3. 34440 Hayward Square Lid SP 1082B
 4. 34450 Jacuzzi and Swimquip 10" Lid
 5. 34460 Pac Fab Lid



Skimmer Lid w/ Thermometer

- Eliminate replacement, theft, and breakage
 - Hermetically sealed face is built for strength and weather resistance
- 34472 S/O Swimquip White
620965 S/O Swimquip Almond
620966 S/O Swimquip Grey
34422 S/O Baker Hydro White
34442 S/O Hayward 10" X 10" White
620961 S/O Pentair Almond
620962 S/O Pentair Grey
34418 S/O Pentair White



Skimmer Weir Conversion

Broken or missing weir blades?

- Convert your U-3 type skimmer into a circular weir
- 621147 U-3 Type Circular Weir

SKIMMERS



Hayward SkimMaster® Series Skimmers

- Adjustable deck collar and access cover
 - Large debris basket and multiple plumbing connections for easier connections
 - Automatic bypass for low water conditions
- S/O SkimMaster



Hayward Auto-Skim™ Series Skimmers

- Optional float/bypass valve
 - Stackable notched extension collar allows infinite vertical adjustment
- S/O Auto-Skim



Dura Seal EPOXY

- Cures to a bright tile-like finish
- Apply on bare, sandblasted or old epoxy
- Virtually maintenance-free
- Use on old plaster instead of replastering
- Use on fiberglass (with Rough Primer)
- Primer required on bare surfaces
- **COVERAGE 125-150 SQ. FT. PER GALLON**
- 26640 1 gal, White
- 26641 1 gal, Ice Blue
- 26642 1 gal, Blue Heaven
- 26643 S/O 1 gal, Black
- 26790 S/O 4 gal, White
- 26791 S/O 4 gal, Ice Blue
- 26792 S/O 4 gal, Blue Heaven
- 26793 S/O 4 gal, Black

2-Part Catalyst System



Aqua Seal ACRYLIC

- Water-based formula
- Applies to damp surfaces
- Virtually no solvent odor
- Minimum two coats on initial application
- **COVERAGE 250-275 SQ. FT. PER GALLON**
- 26650 1 gal, White
- 26651 1 gal, Ice Blue
- 26652 1 gal, Blue Heaven
- 26653 1 gal, Black
- 26655 5 gal, White
- 26656 5 gal, Ice Blue
- 26657 5 gal, Blue Heaven
- 26658 5 gal, Black



SR Pro 7 RUBBER

- Coating over rubber-based finishes
- For smooth, bare cement surfaces
- Attractive satin finish
- Minimum two coats on initial application
- **COVERAGE 250-275 SQ. FT. PER GAL**
- 26700 1 gal, White
- 26701 1 gal, Ice Blue
- 26702 1 gal, Blue Heaven
- 26703 1 gal, Black
- 26705 5 gal, White
- 26706 5 gal, Ice Blue
- 26707 5 gal, Blue Heaven
- 26708 5 gal, Black



Our goal is to provide the latest technology and innovations while maintaining our commitment to the health and well-being of our environment.

EPOXY PRIMER



Prime It BARE SURFACE

- Seals smooth, bare concrete or plaster
- Compatible with dry surfaces
- For bare/unpainted surfaces only
- 26648 1 gal

2-Part Catalyst System



Rough Prime ROUGH SURFACE

- Smooths rough concrete or plaster
- Recommended for sandblasted surfaces
- Excellent adhesion to fiberglass
- Heavy viscosity acts as a "filler" for a more uniform profile
- 26649 1 gal
- 26795 4 gal

2-Part Catalyst System



Patio Perfect PATIO

- Slip-resistance adds protection
- Rolls on easily, covers unsightly repairs
- For sprayed or patterned concrete
- Two coats required on initial application
- **COVERAGE 100-125 SQ. FT., DEPENDING ON SURFACE**
- 26550 1 gal, Prairie Sand
- 26552 1 gal, Desert Tan
- 26553 1 gal, Stone Creek
- 26554 1 gal, Honey Mist



LESLIE'S TECH TIP *How to apply paint...*

- Prepare surface with our one step preparation product, Prep Wise
- Follow the application instructions provided on the label
- Observe minimum and maximum application temperatures outlined on the label
- Do not apply during a hot midday sun
- Use a 9" roller with a 7/16" nap and solvent-resistant core
- Use quality handles and rollers
- Use a basic rolling technique
- Start with the deep-end walls, and work toward the shallow end
- Although rolling is recommended, contact Smart Seal for application tips if a spray method is being considered
- Prior to filling your pool, ALWAYS consult the curing schedule outlined on the label
- If using Dura Seal, sprinkle some white silica sand on pool steps for slip-proofing

Click here to [Connect with your Account Manager](#)

PREP & CONVERSION COATING



**Prep Wise CLEAN & ETCH
1-Step Surface Preparation**

- Cleaning your pool or deck is mandatory before applying any finish coating
 - Cleans, etches and prepares surfaces for your new smart seal surface
 - Simply mix Prep Wise with water to clean, then rinse
 - Cleans pool filters too!
- 26697



**Smart Step CONVERSION
Converts Rubber Base to Epoxy**

- Clean surface then roll on smart step
 - Follow with one coat of dura seal
- Simply clean your pool, roll on Smart Step, then follow with one coat of Dura Seal. Your rubber-to-epoxy finish will be beautiful and make your pool last for many years.
- **COVERAGE 225-250 SQ. FT.,**
- 26646

**Beautifully Restore Your
Pool & Patio**

A Simple, Do-It-Yourself Process
With Professional Results



PATCH & CLEANERS



Patch-It

- Waterproof hydraulic cement
 - Patch-It without draining the pool
- 26752 3 lb
26760 10 lb
26761 S/O 50 lb



Epoxy Putty A+B White

- Easy-to-use, two part putty you simply mix and mold like clay
 - Forms into any shape
 - Fill cracks or holes in decks and broken tiles
 - Hardens in one hr. cures in 12 hrs.
 - Cures under water
- 26280 15.5 oz White

JOINT SEALANT



Deck-O-Seal

- Self-leveling joint sealant, non staining
 - Goes on easily with applicator
 - 96 ounces cover an area 1/2" wide and 231' long
 - Available in Gray, Tan or White
- 26220 Gray 96 oz Kit
26225 Tan 96 oz Kit
26230 White 96 oz Kit

**Deck-O-Seal
One-Step Sealant**

- Stays flexible and won't become brittle or crack due to UV exposure
 - Will not cause discoloration
 - Ideal for use above the waterline
- 26260 Gray
26265 Tan
26270 White

RESURFACE KIT



**Diving Board
Resurfacing Kit**

- Slip-resistant
 - Apply to fiberglass, aluminum or wood
 - Kit contains: 1 qt of Smart Seal, 1 pt of Smart Seal Catalyst, 1 pt of Epoxy Solvent, 1 Roller Cover, and Complete Instructions
 - Suitable for 8' diving boards
- 26762 White
26763 Blue Heaven



JACUZZI & SPA CLEANERS

Jacuzzi® JPV100

- 8.5" wide vacuum head
- Versatile use
- Up to 2.5 hours run time
- 2-year warranty
- Includes: Vacuum head, filter bag, power head, battery chamber, pool pole adapter and micro filter bags



Jacuzzi® JPV200

- Multi-layer filter capacity
- Powerful motor
- Debris chamber
- 7.5" wide vacuum head
- 2-year warranty
- Includes: Vacuum head, nose cap, filter bag, cleaner body, motor box and charger



Jacuzzi® JPV300

- 10.5" wide vacuum head
- Advanced motor
- Multi-layered filter cone
- High volume debris chamber
- 2-year warranty
- Includes: Vacuum head, debris chamber, filter assembly, cleaner body, pool pole adapter and charger



RAIL COVERS



Rail Covers

- 28460 - Rail Style Sure Grip 4 ft Blue
- 28461 - Rail Style Sure Grip 4 ft Teal
- 28462 - Rail Style Sure Grip 4 ft Tan
- 28463 - Rail Style Sure Grip 6 ft Blue
- 28464 - Rail Style Sure Grip 6 ft Teal
- 28465 - Rail Style Sure Grip 6 ft Tan
- 28466 - Rail Style Sure Grip 8 ft Blue
- 28467 - Rail Style Sure Grip 8 ft Teal
- 28469 - Rail Style Sure Grip 10 ft Blue
- 28470 - Rail Style Sure Grip 10 ft Tan

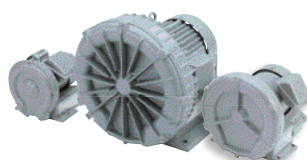
REPLACEMENT LIDS



Skimmer Lid w/Thermometer

- Eliminate replacement, theft, and breakage
 - Hermetically sealed face is built for strength and weather resistance
- 34418 S/O Fits American 9-3/16" round
34472 S/O Fits Hayward, SwimQuip & Jacuzzi 9-7/8" round
34442 S/O Fits Hayward 10" square

SPA BLOWERS



Spa Blowers

- UL-listed terminal boards & motors offer sealed bearings and quiet operation within OSHA requirements
- 84426 S/O 1 hp 1 phase
84434 S/O 2-1/2 hp 3 phase
84428 S/O 2-1/2 hp 1 phase
84429 S/O 4-1/2 hp 3 phase

MECHANICAL TIMER



Timer Switch

- Run your spa blower at a preset time limit
 - Can be installed in a standard 2" deep vertically installed junction box in place of a regular single-pole light switch
- 84180 S/O 15-min. Timer

THERMOMETER



EZ Combo

- 2-in-1 for pool and spa
 - Floats with snap-on cap
- 20808

SHUT-OFF



Emergency Shut-Off System w/Alarm

- Applicable for new and existing installation
 - Simple resort functionally
- 600858 S/O

SIGNS



82783

82787

Emergency Shut Off

82783 12" x 9"

Spa Capacity

82787 18" x 12"

More signs available. See page 80-81

V.G.B. COVERS



34028



SDX High-Flow Cover

34028 - S/O White

More covers available. See page 84

SPA LED LIGHT



pureWhite Led Pool Lights

- \$33 a year to operate
- Uses less energy – up to 90%*
- Lasts up to 50,000 hours – 20x longer life**
- Enhances pool water appearance – looks clearer and cleaner commercial and residential
- Installs easily

SPA CHEMICALS



Spa Anti-Foam

- Concentrated, safe and effective
- 48072 1 qt

Spa Ultra Bright Clarifier

- Water clarifier
- 49169 1 qt



Spa Perfect

- Natural enzyme formula eliminates body oils, sweat and other organics that are problematic in spas
 - Helps keep filter clean
 - Eliminates "bath tub" ring
- 48306 1 lt
48309 S/O 5 gal commercial



Chlor Brite®

- Fast-dissolving chlorine concentrate does not leave a residue
 - Ideal for spas
 - pH-Neutral
- 48173 2 lb
12055 8 lb
12061 25 lb
12064 40 lb



Fresh 'N Clear

- Non-chlorine shock
 - Fast dissolving
 - Prevents algae
 - Eliminates odors
- 14540 1 lb
14546 25 lb
14547 40 lb

NATURAL CHEMISTRY



Trade Grade Power Blend

- New, Exclusive Leslie's formula
- Combination of the following:
 - Triple Strength Enzyme Blend
 - Phosphate Removing

12312 1 gal
12313 5 gal



Trade Grade Pool Clarifier

- Replaces Clear Commercial AF and Clear & Perfect Commercial
- Choice of underlying chemical:
 - Chitosan based - Clear

12314 1 gal
12315 5 gal



Trade Grade Phosphate Remover

- Replaces PHOSFree Commercial AF
- Strongest, most effective phosphate remover on the market, one ounce will remove 12,000 ppb.

12321 1 gal
12322 5 gal

SPA BROMINE TABS



Spa Bromine

- Fast-dissolving chlorine concentrate does not leave a residue
 - Creates more comfortable water with no chlorine smell
- 14404 1.5 lb
14405 4 lb

WATER ADJUSTERS



Alkalinity Up

- Raise the total alkalinity
 - Balanced spa water is more comfortable and easier to maintain
 - Stabilize pH
- 48051 2 lb
14060 5 lb

WATER ADJUSTERS



Spa pH Up

- Raises pH and total alkalinity
 - Pre-mixed – just add to spa
 - Compatible with all sanitizer
- 14136 1 qt

We Carry a Full Line of Spa Products, Supplies and Water Treatment Solutions



For the Closest Location Visit LesliesPool.com/stores.htm



LIFEGUARD CHAIRS/PLATFORMS



Mendota Lifeguard Chairs 902198

- Made of recycled high density polyethylene material with colorants and UV inhibitors
- Does not absorb moisture, will not rot, splinter or crack
- Portable (with optional wheel kit)
- Resistant to corrosive substances, oil, insects, fungi, salt spray, rust and other environmental stresses
- Optional Ballast System provides stability
- Chairs have umbrella holders



Lifeguard Chair

S/O
31 7/8"L x 30 3/4"W x 64 3/16"H
with a 36" high seat

Lifeguard Chair 45023

S/O
35 1/16"L x 31"W x 76 1/8"H
with a 48" high seat



Lifeguard Chair with side step

958790 56 7/8"L x 24"W x 88 1/16"H
with a 60" high seat

Accessories:

902199 Wheel kit



Lifeguard Umbrella 75382 (Also available in red 75381)

- Fits most lifeguard chairs
- Includes valance and extension pole
- Includes anodized silver aluminum pole and spring steel ribs.
- Made of durable and weather resistant solefin material
- Measures 6.5 ft wide by 92 in high

Don't Be Caught Without Your State's Proper Signs!

Most states require general safety signs and, if applicable, state specific signs.

Arizona

24731 AZ Spa Rules 18" x 24"
83851 AZ No Diving 18" x 24"
83852 AZ Pool Rules 18" x 24"

California

24746 CA 2012 Regulation Sign Kit
24747 CA Gate & Diarrhea 12" x 18"
24748 CA Keep Closed 5" x 18"
24749 CA Diarrhea Sign

Florida

700166 FL Pool Rules 24" x 24"
82802 FL Spa Rules 24" x 36"

Georgia

82803 GA No Lifeguard 24" x 36"
82792 GA Pool Risk 24" x 36" (part 2)
82793 GA Spa Risk 24" x 36"

Indiana

83836 IN No Lifeguard 24" x 24"
82830 IN Pool Rules 24" x 24"

New Jersey

82774 NJ Spa Rules 18" x 24"
82775 NJ Bathers Rules 18" x 24"

Nevada

82745 NV Spa Rules 24" x 36"
82746 NV Facilities w/o spas 24" x 36"
82739 NV Entrance Sign 20" x 27"
82740 NV Pool 8-way Safety Sign 40" x 48"
82741 NV Spa 8-way Safety Sign 40" x 48"

New York

82771 NY Pool Rules 24" x 36"
82776 NY Pool Capacity/Hours 18" x 24"

North Carolina

82798 NC Pool Rules 24" x 36"

South Carolina

82794 SC No Lifeguard 24" x 36"
82795 SC Spa Rules 18" x 24"
82801 SC Pool Rules 24" x 36"

Texas

82767 TX No Diving 12" x 18"
387879 TX Spa Rules 18" x 24"

POOL SAFETY SIGNS



International No Diving
82781 18" x 12"



Emergency Shut Off
82783 12" x 9"



Tenants Only
82785 18" x 12"



No Lifeguard On Duty
24740 24" x 18"



Please Shower
83842 18" x 12"



No Food or Beverage
83843 12" x 18"



Pool Capacity
24745 18" x 12"



Spa Capacity
82787 18" x 12"



Pool Closed
82788 18" x 12"



No Running
82784 18" x 12"



Emergency Phone Numbers
82782 18" x 12"



Keep Gate Closed
82786 18" x 12"



8-Way Sign

Includes: Spa Caution, Artificial Respiration, No Diving, No Lifeguard on Duty, Pool & Spa Capacity and Pool & Spa Hours and Rules.
85841 40-1/2" x 48"



No Glassware
82780 9" x 12"

OTHER SIGNS & STATES AVAILABLE

*Call Us for Custom Signs & Signs Not Listed
Call Us for "FREE" Site Inspection!
(in most areas)*



Emergency 911
24734 12" x 18"



CPR-English
24750 18" x 24"



Shallow Water - No Diving
24736 18" x 24"



Caution No Diving
24727 12" x 18"



Caution Spa Users
24728 18" x 24"

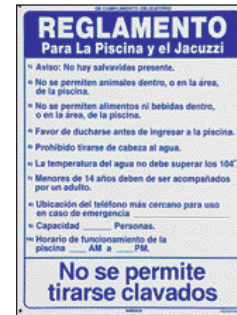


Danger Chemical Storage
24726 18" x 24"



Phone Location
24738 12" x 18"

EN ESPAÑOL SIGNS



Regulations-Spanish
83847 18" x 24"



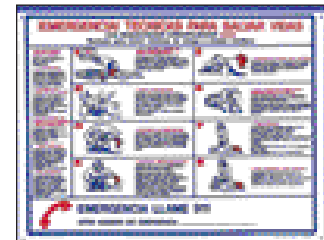
Pool Rules
24730 18" x 24"



Regulations For Public Pools
83844 18" x 24"



Watch Children
83841 12" x 18"



CPR-Spanish
83848 Resuscitation

Did you know?



SAFETY & GENERAL SIGNS

Most health departments require some type of safety signage and depth markers around the pool. The signs shown represent the most common requests by customers and are available for your specific state. We can accommodate any request you have.



AVAILABLE IN SPANISH



First Aid Kit

- Kit includes: knuckle bandages, non-aspirin acetaminophen, 3/4" x 3" plastic strips, PVP wipes, bee sting solution, 24" x 72" sterile gauze roll compress, adhesive tape strips, eye pads, scissors, first aid cream, 5" x 9" ABD pad, tape, butterfly closure, triangular bandages, splinter forceps and a Kwik-Kold™ kit 12024



TRC Recreation USCG Approved Vests

- The most comfortable U.S. Coast Guard Approved Vest on the market, used at most major water theme parks and resorts
 - Carried in Toddler, Child, Youth and Adult sizes
 - Please call for sizing
- S/O



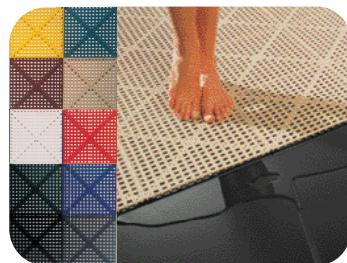
Rescue Can

- Features 6 hand grips to help calm the swimmer in trouble
 - Tough, shark-skin surface holds a film of water that lessens drag and permits it to glide on the water
- 82748 27-1/2" x 8-1/2"



Rescue Tube

- Tough Ensolite™ foam is coated with heavy vinyl
 - 6' poly line and 2" shoulder harness
- 400388 37" Rescue Tube
83751 52" Rescue Tube



DriDek Floor Tiles

- Keep your facility floor safe and dry
- Control the growth of mildew, mold and bacteria
- Each tile is permanently bonded with a fungicide called oxy-B1

86280 Sheet 3' x 4'
86290 Roll 3' x 12'



Throw Rope

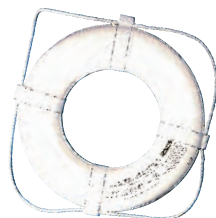
- Each rope comes with 60' of heaving line and a "Lemon Anchor" 82758 Throw Rope



Life Hook

- Built to last & a must for every pool
- 83665 Life Hook
20975 Connecting Wingnut & Bolt
83105 Set of 2 Pole Hangers

Attach to a non-telescoping pole only, does not include pole.



Life Ring

- Available in 20" and 24"
 - U.S. Coast Guard approved
- 24415 20" Life Ring
24418 24" Life Ring



Non-Conductive/ Non-Telescoping Poles

- Constructed of rigid fiberglass with UV protective coating to prevent splintering
 - Use with life hook
 - Freight Charges May Apply
- 20793 12'
20794 16'



Rescue Tube

Vinyl dipped head blocks provide maximum support and minimum head movement.

82809 Head Immobilizer



Life Ring Box

- Keeps your Life Ring in good condition year-round with this easy-to-open Life Ring Cabinet
 - Features unbreakable polycarbonate window and stainless-steel hinges and fittings
- 82749 with 24" ring
82750 without ring



Rope Float Set

24635 3/8" set 20'
24695 3" x 5" float

Bulk Rope Per Foot

24451 3/4"
24441 1/2"

Rope Hooks

24680 1/2"
24682 3/4"



Spine Board

- Made of roto-molded HDPE (high-density polyethylene) over a non-toxic foam which prevents slippage and allows for easier cleaning and disinfecting
 - Features 14 oversized, raised hand holds for easier grip and safe transportation
 - Straps sold separately
- 82810 Spine Board
82759 Spine Board Straps



Lifeguard Apparel

510010 Bikini S, M, L, XL, XXL
510000 DBack Red 28 - 42





Depth Marker

- Available in ceramic, glass overlay or vinyl stick-ons
- Your choice of “feet”, “meters” or “inches”
- Glass overlays are for water-line installation
- Surfaces can be smooth or skid-resistant in the ceramic for in pool or on deck application
- Most metric applications require two tiles, and double digit english markers will also require two tiles. Call and let us help you with your requirements
- Many other sizes and styles of depth markers are available

Let us know what you need and we will get it for you!



Depth Markers

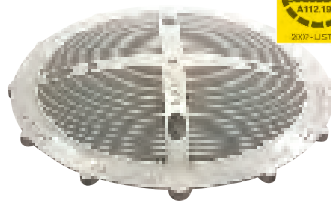
DEPTH	GLASS 6" x 6"	VINYL* 6" x 6"	CERAMIC	
			SMOOTH	SKID RES.*
0 Ft	85150	85212	—	85333
1 1/2 Ft	85153	85215	85277	85336
1 Ft	85152	85214	85276	85335
1 1/2 Ft	85153	85215	85277	85336
2 Ft	85154	85216	85278	85337
2 1/2 Ft	85155	85217	85279	85338
3 Ft	85156	85218	85280	85339
3 1/2 Ft	85157	85219	85281	85340
4 Ft	85158	85220	85282	85341
4 1/2 Ft	85159	85221	85283	85342
5 Ft	85160	85222	85284	85343
6 Ft	85162	85224	85286	85345
6 1/2 Ft	85163	85225	85287	85346
7 Ft	85164	85226	85288	85347
7 1/2 Ft	85165	85227	85289	85348
8 Ft	85166	85228	85290	85349
8 1/2 Ft	85167	85229	85291	85350
9 Ft	85168	85230	85292	85351
9 1/2 Ft	85169	85231	—	—
No Diving	85208	85271	85332	85376
No Div Symb	85209	85270	85330	85375
Install Kit	85211	85273	—	—
Ft Deep	85210	85272	378844	85377
0 M	401891	902749	902516	902470
1 M	377683	404380	378208	901066
M	G613510	900427	903489	85266
2 M	377517	901908	85322	901065
3 M	401892	902012	—	361003
4 M	383889	378598	85324	905416
5 M	378806	902159	85325	901063
6 M	401893	378465	85326	401895
7 M	401894	377682	—	379176
8 M	85204	378695	383403	368610
9 M	85205	902013	901448	901064
FT	85206	85268	85328	85373
IN	85207	85269	85325	85374
.09	G612609	900428	C612608	C622608
1.2	G612612	901737	903488	85382
1.5	G612615	901738	902480	85383
1.8	G612618	V622618	C612619	C622619

*Can be installed on the deck, all other markers are for the Waterline



SDX2 High-Flow Cover

- SDX2 is high flow outlet suitable for use as a wall fitting or as a floor fitting when debris removal is not a concern
 - Available for concrete, vinyl and fiberglass pools
 - Boasts a flow rating of 188 GPM on the floor and 154 GPM on the wall
- 34028 White
Color options available



Drain Safe DS360M

- Retrofits most 5 1/2" – 8" sumps
 - Works on dual drains as well as single-suction outlets
 - 27 sq inch open surface area
- 32841 DS360M White



Hayward Square Covers

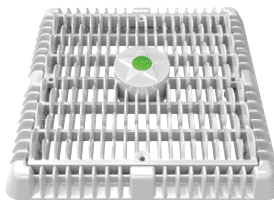
- | | |
|-----------------------|-----------------------|
| LOW FLOW | HIGH FLOW |
| 32300 9" x 9" White | 32306 9" x 9" White |
| 32301 12" x 12" White | 32307 12" x 12" White |
| 32302 18" x 18" White | 32308 18" x 18" White |

Reminder - Drain covers expire and must be current.
Need help understanding code compliance?
Let the Professionals at Leslie's help.



AquaStar Square Anti-Entrapment Drain Covers w/ Adapter Frames

- 32780 16" Sq Anti-Entrapment w/Mud Frame - White
- 32781 16" Sq Anti-Entrapment w/Mud Frame - Black
- 32782 16" Sq Anti-Entrapment w/Mud Frame - Lite Grey
- 32784 16" Sq Anti-Entrapment w/Mud Frame - Dark Grey
- 32787 16" Sq Anti-Entrapment w/Mud Frame - Tan



AquaStar Square Anti-Entrapment Drain Covers w/ Adapter Frames

- VGB Compliant 2008 ANSI/APSP 16-2011
- 32011 9" WAVE Anti-Entrapment Cover
 - 32012 12" WAVE Anti-Entrapment Cover
 - 32013 18" WAVE Anti-Entrapment Cover
 - 32014 24" WAVE Anti-Entrapment Cover



Eureka Anti-Entrapment Drain Cover

- Stainless steel, unblockable drain covers enhance the safety main drains and sumps in swimming pools & feature gradually sloped sides & a solid top surface.
- 32991 Eureka AE 26"x26" 18"x18" Drain
 - 32992 Eureka AE 32"x32" 24"x24" Drain
 - 32993 Eureka AE 44"x44" 36"x36" Drain



AquaStar 4" Round Hockey Puck Sumpless Suction Outlet Cover

- For single or multiple drain use in gunite pools and spas
 - Single - sumpless
 - Floor/wall: 56 GPM at 3.5 fps
 - Floor/wall: 24.4 GPM at 1.5 fps
 - Floor/wall: 16.2 GPM at 1.0 fps
 - 5.2 square inch opening
- S/O 4" Round Cover - Blue

Other Sizes and Colors Available



AquaStar 6" Round Hockey Puck Sumpless Suction Outlet Cover

- For single or multiple drain use in gunite, steel, fiberglass and tile pools and spas
 - Single - sumpless
 - Floor/wall (2" pipe): 224 GPM at 6.3 fps
 - Floor (1 1/2," pipe): 177 GPM at 5.9 fps
 - Wall (1 1/2" pipe): 122 GPM at 3.4 fps
 - Floor/wall: 53.3 GPM at 1.5 fps
 - Floor/wall: 35.5 GPM at 1.0 fps
 - 10.4 square inch opening
- S/O 6" Round Cover - Blue

Other Sizes and Colors Available



AquaStar 8" Round MoFlow™ Suction Outlet Cover And Mud Frame

- For single or multiple drain use 3" sump depth
 - Single - sumpless
 - Floor: 166 GPM at 3.2 fps
 - Wall: 113 GPM at 2.2 fps
 - Floor/wall: 77.8 GPM at 1.5 fps
 - Floor/wall: 51.9 GPM at 1.0 fps
 - 16.6 square inch opening
- S/O 8" Round Cover

Other Sizes and Colors Available



AquaStar 10" Round Star Sumpless Suction Outlet Cover, Universal Adapter Kit & Mud Frame

- For single or multiple drain use
 - Single - sumpless
 - For retrofit or new construction!
 - Available with mud frame for new construction or with universal adapter frame to retrofit all existing frames/sumps up to 10" round
 - Can be used with Brass Anchor Kit P/N BIK4 for odd-sized or non-structured frames/sump
- S/O 10" Round Cover

Other Sizes and Colors Available



Vacless SVRS 10-ADJ

- Attaches to swimming pool, wading pool, spa & hot tub pumps ranging between 0.5 hp & 10 hp; in place of any suction side drain plug
 - Upon entrapment, the valve will open, allowing ambient air to rapidly fill the pump suction side
- 83875



Vac Alert Valve

- Reacts in milliseconds
 - Senses sudden increases in vacuum, triggers valve pistons to lock allowing air to enter the system releasing vacuum on the main drain
 - Easily installed in new or existing pools or spas and requires no maintenance
- 15130



Emergency Shut-Off System

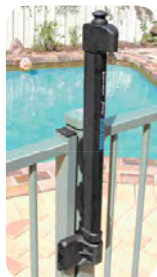
- Designed to retrofit public spas to meet current safety codes
 - Alarm to indicate shut-off has been pressed
 - Low voltage wiring to shut-off switch and jets switch
- 600858 Emergency Shut-Off System



Main Drain Test Mat

- Covers main drain to allow periodic testing of an SVRS device
 - Connects to the telescopic pole
- 32000 Main Drain Test Mat

SAFETY LATCHES



MagnaLatch

- A child-resistant gate latch that is designed to comply with strict international codes
- Includes the ability of the gate to automatically close from any position
- The release knob is located out of reach of toddlers
- Prices vary due to gate and latch type – call or visit store for quote

700165

Hinges

- Will suit all fence materials including steel, aluminum, wood and vinyl
 - 100% rust-free for life and UV stabilized
- 24310 Metal to Metal
24312 Wood to Wood



57SF AT90 S



SM AT90 S

57SF AT90 W

SM AT90 W



7515

7525

SureClose Kit Closer and Hinge - Aluminum

Designed for Pool and Child Safety gates, Mounting brackets – Aluminum, screw-on and flush mount, Closing speed adjustment, Dual Bearing Glide System™, two sealed bearings for superior performance, anodized high strength aluminum and tamper resistant with hidden hydraulics that don't leak, Emergency override slam will NOT damage closer

- ADA compliant
- Self-closing gates weighing up to 90 lbs
- Prevents gate slam noise and gate damage
- High corrosion resistance with
- Tamper-resistant hydraulics.

2 Year Warranty
S/O



MagnaLatch Side Pull with Lock

When installed correctly it meets Barrier Codes for swimming pools. Always confirm any safety requirements with the appropriate local safety authorities in your area, as regulations may vary from region to region. Solution for all fencing materials

- Ideal general-purpose, magnetic latch for gates and doors around homes and gardens
- Key-lockable security / Peace of mind
- Horizontal & vertical adjustment / Easy installation
- Strong molded polymer and stainless steel construction / No rusting, binding or staining
- Fixing points covered by dress caps / Sleek and stylish finish

Limited Lifetime Warranty
24305

The Virginia Graeme Baker Pool and Spa Safety Act

The purpose of the Virginia Graeme Baker Pool and Spa Safety Act is to increase the safety of swimming pools and spas.

Public Pool Requirements

Effective one year after the date of enactment, each public pool and spa must be equipped with anti-entrapment drain covers. Each public pool and spa with a single main drain (other than an unblockable drain) must also be equipped with a device or system designed to prevent entrapment, such as a safety vacuum release system. Public pools and spas are open to the public generally (whether for a fee or free of charge): open exclusively to members of an organization and their guests, residents of an apartment building; or operated by the federal government.

Compliance Date:
December 19, 2008

Entrapment Reduction Tip

Layers of protection are the best way to reduce the risk of bather entrapment. These layers start with a properly designed circulation/filtration system and include:

1. The first layer is approved drain covers or grates in good operating condition, securely attached so that it cannot be removed without a tool. An "approved drain cover" is one that is stamped with (A) ASME/ANSI A112.19.8M certification and (B) maximum gpm.
2. Dual drains are a second layer of protection to a properly operating single drain. The drains should have covers that are ASME/ANSI A112.19.8M certified.
3. The third layer is a Safety Vacuum Release System (SVRS). Electromechanical or mechanical device that detect an increase in suction from a blockage and, in response, either open a vent valve on the suction side of the pump or turn off the pump to prevent body suction-entrapment incidents. Make sure that the unit meets the ASME/ANSI A112.19.17-2002 testing standards.
4. Education is the fourth layer. All employees must understand the importance of preventing suction entrapment and health code compliance.



PAL 2 Portable Pool Lift

- 300 lb lifting capacity
 - Completely portable – no fixtures and easy to move
 - 240° Rotation ensures safe transfer
 - Powered by a 24-volt rechargeable battery
 - Lift Operator intelligent waterproof hand control
 - ADA Compliant
 - Secure-It Kit so it can be fixed to the deck
- 501552 S/O PAL 2 Portable Lift

**Email Us
for Help
Finding the
Right Solution**



Splash Lift

- 400 lb lifting capacity
- 359° rotation ensures a safe transfer
- Semi-portable – easily removable from anchor
- Powered by a rechargeable battery
- User-operable via waterproof hand control

- 501304 S/O Splash Lift
- 501305 S/O Splash Hi/Lo
- 501306 S/O Splash Extended Reach
- 501307 S/O Splash Spa Lift



S.R. SMITH ACCESSORIES



LiftLock2 Anchor and Cap 300-6600
502196



Splash Lift Battery
24 volt rechargeable battery for use with all SR Smith battery operated lifts
502224 Rechargeable battery

Battery Charger
501314
Pal Total Cover
501328
Splash Caddy
501330





aXs2 Pool Lift

The aXs2 is a low profile pool lift that is an ideal access solution for community and hospitality swimming pools. The aXs2 lift meets the Americans with Disabilities Act Access Guidelines (ADAAG 2010) and has a 300 lbs lifting capacity. The aXs2 lift installs into your pool deck via locking anchor. 360° rotation ensures a safe transfer area.

- 360° rotation for transfer safety and flexibility
- Compact design requires minimal deck space
- Third-party tested & verified ADA compliant
- Integrated armrests
- Sturdy and generous rotomolded seat
- LiftOperator® Intelligent Controller with 24V battery
- Full range of operation from handset and control box
- Powder-coated stainless steel and aluminum construction
- Specifications: 300 lbs lifting capacity
- Powered by a 24-volt rechargeable battery
- Powder coated stainless steel and aluminum
- Shipping Dimensions: For model 310-0000 (aXs2 w/ anchor) Box 1: 102 lbs 55" x 19" x 14" Box 2: 36 lbs 24" x 24" x 27"
- 369593 aXs2 Pool Lift
- Available in three colors - Gray Mist, Slate, Taupe



Multi Lift2 (ML2)

- 350 lbs lifting capacity
- Field reversible seat design with integrated armrest
- Flange mounting with easy retrofit into old multiLift/ML300 anchors
- Lift Operator Intelligent control system
- Available in three colors - Gray Mist, Slate, Taupe



New laws are in effect.
Contact us today for help.

- Virginia Graeme Baker Act
- CPO • ADA • Others

S.R. SMITH ACCESSORIES



Arm Rests 501316

SR Smith Lift Arm Rests

Optional, flip-up armrests for all SR Smith Lifts

501316 Arm Rests

aXs Seat Belt Assembly

501333

aXs Armrest Assembly

501334

Many More Accessories and Color Options Available

[Click here to Connect with your Account Manager](#)



Portable Motion Trek BP 300 Deluxe

- Certified ADA compliant
 - 300 lb lifting capacity
 - Six point contact with deck for maximum safety and stability
 - Fully seated counter weight case maximizes corrosion protection
 - Removable handle for safety and storage
- 903843



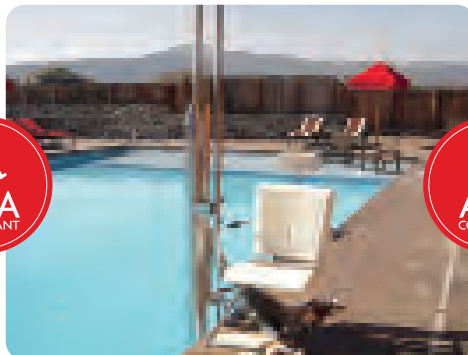
Motion Trek BP 400 Deluxe

- 400 lb lifting capacity
 - Self operated from the deck and the water
 - 90 lifts per battery charge (TI Motion)
 - Coated with Spectra Shield for maximum corrosion protection
 - Accommodates setback of 6" to 22" and water draft up to 12"
- 960515



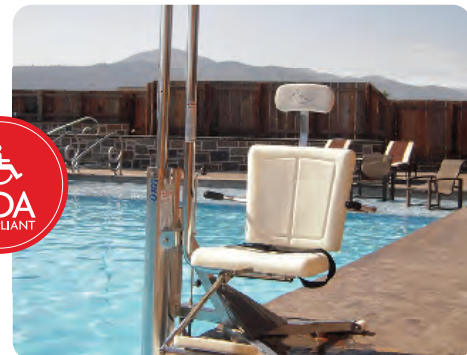
Traveler Lift

- 500 lb lifting capacity
 - 360° continuous powered rotation
 - Standard adjustable padded headrest
 - Easy to remove and store using Transport Cart
 - Only stainless steel gears and fully sealed bearings in the industry – less risk of corrosion and impervious to water siege
 - Safe operating system with rechargeable battery and charger
- S/O Traveler Pool Lift



Gallatin Water Power Lift

- 400 lb lifting capacity
 - Large diameter cylinder and piston designed specifically to provide greater and quicker lifting
 - Seat has excellent lumbar support and material will not disintegrate or crack over time
 - Durable Low Density Polyethylene footrest with non-slip surface for safety and comfort
 - Base stand has built in wheels for portability
 - Base stand adjustability up to 4" of deck slope
- S/O Gallatin Water Power Lift



Lolo WP400 Lift

- 400 lb lifting capacity
 - Passivated stainless steel - no dissimilar metals
 - Dual point anchor
 - Large diameter cylinder and piston designed specifically to provide greater and quicker lifting capacity
 - Adjustable padded headrest for full support
 - Large spacious seat designed for ease of transfer
- S/O Lolo WP400 Lift

SPECTRUM ACCESSORIES

Cover

502142
Surface Mount Anchor
S/O

Wood Deck Anchor

S/O
Transport Cart
S/O

Spine Board

- One-piece seamless construction; tapered design
- Made of high-density polymer
- 14 hand-holds and 10 strap slots, 350 lb

82754 Spine Board
82759 Spine Board Straps

Email Us for Help Finding the Right Solution





Ranger 2 Pool Lift

- ADA Compliant & UL Safety Certified
- 350 lb (159 kg) weight capacity
- Setback range of 14'-8"
- Limited five (5) year warranty
- Made in the USA

- MFG PART #S
 F-RNGR2-W (White/Blue)
 F-RNGR2-T (White/Tan)
 F-RNGR2-G (White/Grey)
 F-RNGR2-W (White/Gumtree White)



Scout Excel Pool Lift

- ADA Compliant & UL Safety Certified
- 375 lb (170 kg) weight capacity
- Setback range of 7'-4"
- 360° battery powered rotation
- Limited five (5) year warranty
- Made in the USA

- MFG PART #S
 F-SCDOL-W (White/Blue)
 F-SCDOL-T (White/Tan)
 F-SCDOL-G (White/Grey)
 F-SCDOL-W (White/Gumtree White)



Spa Lift Elite

- ADA Compliant & UL Safety Certified
- 380 lb (172 kg) weight capacity
- Maximum overall height clearance 68"
- Maximum overall width clearance 26"
- 360° battery powered rotation
- Limited five (5) year warranty
- Made in the USA



Mighty 600

- ADA Compliant & UL Safety Certified
- 600 lb (272 kg) weight capacity
- Setback range 10'-4"
- Water draft 12"
- 360° battery powered rotation
- Limited five (5) year warranty
- Made in the USA



Mighty Voyager Portable Lift

- ADA Compliant & UL Safety Certified
- 325 lb (147 kg) weight capacity
- Setback range up to 32"
- Water draft up to 12"
- 360° battery powered rotation
- Limited five (5) year warranty
- Made in the USA

AQUA CREEK ACCESSORIES

Lift Covers



- Spa Lift Cover F-60SIECS
 Ranger 2 Cover F-02PFC
 Mighty Lift Cover F-MTLCB

Color Options



Solar Power



Misc. Accessories

- Cycle Adjustment F-08CA
 Chest Strap F-02CS
 Headrest F-02PLH-2

AQUA CREEK POOL LIFTS (CONT.)



EZ Series Pool Lifts

The EZ Series is an affordable line of lifts that requires assistance from others to operate, but can provide access to many different applications including both in-ground and above-ground pools and spas up to 5' high, as well as hot tubs. These lifts all have 360° of manual rotation, with two models that provide battery operated lifting and lowering power.

Options/Accessories:

MFG Item #	Product	Weight Capacity	Lifting Power?
F-EZPL1	EZ 1	400 lbs (181 kg)	✗
F-PEZPL2	PowerEZ 2	400 lbs (181 kg)	✓
F-B4PHBL-NA	Super Power EZ	300 lbs (136 kg)	✓

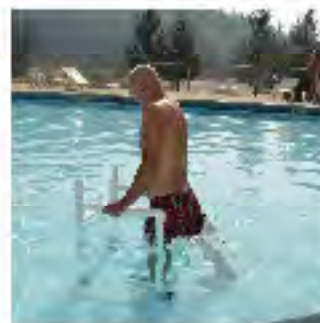
AQUA CREEK PVC ACCESS



Pool Access Chairs

Ideal for heating pools with ramps or zero depth entry, these access chairs are constructed with lightweight, medical grade PVC with an anti-tip design and non-rusting stainless steel components. Great for showers, locker rooms, or any aquatic environment.

- Medical grade PVC construction
- Stainless steel hardware
- EZ close twin wheel casters
- Anti-tip design
- Spring-out armrest
- One year warranty
- Available in a variety of sizes
- Made in the USA



Aqua Walker

- 300 lb (136 kg) weight capacity
- Adjustable height range 34"-48"
- Tool free adjustments
- Made in the USA

MFG Part # F-606UW



New laws are in effect. Contact us today for help.
 • Weight Capacity: 300 lbs
 • EPA • ADA • OSHA

Options/Accessories:

MFG Item #	Product	Weight Capacity	Retractable Arms
F-520SPM	Pool Access Chair w/ Mesh Seat	300 lbs	18"
F-520WSPM	Pool Access Chair w/ Mesh Seat	350 lbs	20"
F-520XWSPM	Pool Access Chair w/ Mesh Seat	400 lbs	24"

 **Americans with Disabilities Act**

The final revisions to the Americans with Disabilities Act Accessibility Guidelines (ADAAG) pertaining to public swimming pools, wading pools and spas were signed in July of 2010. The new rules took effect March 15, 2011 and the Compliance deadline was January 12, 2012.

What is the Americans with Disabilities Act (ADA)?

The Americans with Disabilities Act (ADA) is a comprehensive civil rights law that prohibits discrimination on the basis of disability. The ADA requires that newly constructed and altered state and local government facilities, places of public accommodation, and commercial facilities be readily accessible to, and usable by, individuals with disabilities. The pool owner/manager should seek expert legal advice to ensure compliance.

How does it apply to swimming pools, wading pools and spas?

The facility must provide accessible means of entry/exit at swimming pools. Such accessible means of entry include a pool lift or sloped entry, and either a transfer wall, transfer system, or pool stairs. Wading pools must provide a sloped entry, and spas must provide a pool lift, transfer wall, or transfer system. Wave action pools, leisure rivers, and sand bottom pools where user access is limited to one area shall not be required to provide more than one accessible means of entry, either a pool lift, sloped entry, or a transfer system.

Which facilities need to comply?

All municipal and school based pools, along with all hotels, motels, private water parks, competition facilities, etc. must comply with ADA guidelines. This includes pools operated by public park and recreation districts, hotels and motels, country clubs, high schools and universities, fitness and recreational sports clubs, water parks, hospitals and health care facilities. There are some exceptions. Apartments and private condos are considered residences and are exempt from complying with the ADA. These types of facilities fall under Fair Housing regulations. However, condos that rent out their units are considered hotels and, therefore, would be required to comply with ADA regulations.

How can a facility comply?

There are many alternatives, but the simplest way to comply is by installing a verified ADA Compliant lift. Leslie's offers the only three independently verified ADA Compliant Lifts on the market.

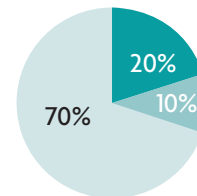
How will these requirements be enforced?

Enforcement will vary from state to state, but does not change the fact that this is the law. Direct action against noncompliant facilities may be taken by local building or health officials enforcing state or health building codes that reference the new guidelines. Individuals may also file civil lawsuits against noncompliant facilities. Indirect enforcement can occur when a local government becomes ineligible for a federal grant unless facilities are in compliance.



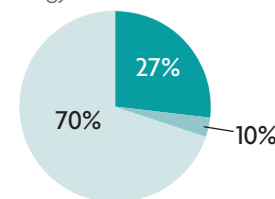


OUTDOOR POOL
Energy Loss Characteristics



- Evaporation
- Radiation from the sun
- Losses to ground and other

INDOOR POOL
Energy Loss Characteristics



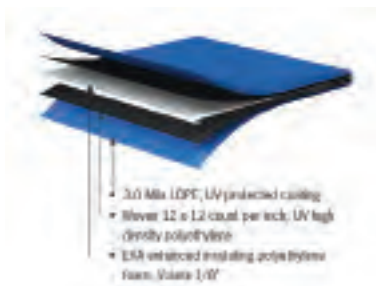
- Evaporation
- Ventilation
- Other

Solar Pool Covers

- Easy to deploy and retrieve
- Covers are reversible
- Available in standard and custom sizes
- Advanced performance – 100% UV stabilized polyester thread
- Longer life – coated and UV stabilized on both sides for maximum protection
- Superior strength edging made with PVC coated tarpaulin
- Extruded black vinyl incorporated into edging for weight
- Strategically located water vent holes with weighted edge help covers hold in windy environments
- Panels come complete with heavy-duty, UV inhibited loop ties or attaching the panels to a storage reel system
- Loop ties made of 5/16" heavy-duty synthetic fiber open
- 304 stainless steel grommets for maximum corrosion resistance

S/O Pool Blanket

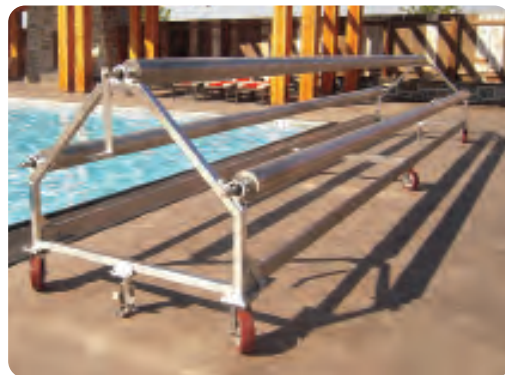
- Many sizes, shapes, and thickness readily available



Pool Covers Also:

- Conserve water by reducing the amount of make-up water needed by 30%-50%
- Reduce the pool's chemical consumption by 35%-60%
- Reduce cleaning time by keeping dirt and other debris out of the pool

SOLAR COVER STORAGE SYSTEMS



Bitterroot Cover Storage Systems

The Bitterroot cover storage systems ensure proper handling and storage of pool covers. Made of electropolished 304L stainless steel, they are portable, strong and designed to support the weight of wet covers.

- Easy to deploy and retrieve pool covers
- Employs stainless steel pillow block reel tube bearings
- Equipped with stainless steel crank assembly
- Utilizes 6" diameter, non-marring polyethylene wheels
- Equipped with two foot-operated brakes
- Accommodates a maximum cover width of 20'

- 959531 Bitterroot I, Single Tube Configuration
Storage capacity = 164 lf. Or 3,280 sq. ft. with a total weight capacity of 643 lbs.
- 955391 Bitterroot III, Triple Tube Configuration
Storage capacity = 492 lf. Or 9,840 sq. ft. with a total weight capacity of 1,562 lbs.
- 385604 Single Winder Cover
- 385605 Double/Triple Winder Cover



12-YEAR WARRANTY

Meets the ASME/ANSI
A112.19.17-2002
testing standards



Pro Mesh Safety Cover

- Light weight – nearly 50% lighter than standard solid covers. Makes for easier installation, removal and storage
- Super strong with improved tear and abrasion resistance. Great for commercial or residential use
- Offers 99% shading and significantly reduces the amount of sunlight entering the pool. Reduced sunlight means less algae growth
- Special weave allows water to drain through the cover while filtering large and small debris
- Comes standard with pull-tite commercial grade springs
- 12-Year pro-rated warranty
- Available in blue or green

S/O Call for estimate

We Offer Standard Covers and Custom Covers



12-YEAR WARRANTY

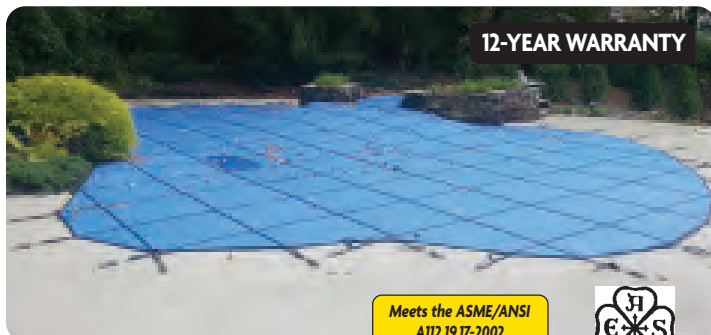
Meets the ASME/ANSI
A112.19.17-2002
testing standards



Secur-A-Pool Commercial Safety Covers

- Available colors: green, blue, tan, and gray
- The new, improve & increased weave count contained within our polypropylene mesh fabric ensures added strength, sustainability & shading protection
- Patented mesh material blend, which eliminates any standing water hazards by allowing water & melting snow to drain through and minimizing damage risk, as well
- Automatically screens out dirt and debris for quick, easy and fuss-free spring time opening
- Secures pool from children, pets and stray animals
- Designed to be tamper-proof design by preventing entry without the need for an installation rod, which means it can be installed & removed within mere minutes
- Meets or exceeds all safety cover performance standards as set forth in ASTM F 1346-91
- 12-Year pro-rated warranty

S/O Call for estimate



12-YEAR WARRANTY

Meets the ASME/ANSI
A112.19.17-2002
testing standards



Hyperlite Safety Cover

- 50% more tensile strength – significantly improved load capabilities
- 50% more puncture resistant – improved resistance to damage and puncturing from falling tree branches, deer hooves & stray animals
- 100% sunlight blockage – no spring time algae growth
- Patented kleen-screen drain. Drains water from surface - filtering out dirt, leaves & debris
- PVC coated polyester fabric is 30% lighter than standard solid covers
- Comes standard with pull-tite commercial grade springs
- Meets or exceeds safety cover performance standards as set forth in ASTM F 1346-91
- 12-Year pro-rated warranty
- Available in green

S/O Call for estimate

SUMP & COVER PUMPS



Jacuzzi JSP450 Manual Submersible Pump – 450GPH

- Pumps up to 450 GPH (Gallons Per Hour)
- Plug-in and run manual operation
- Includes 25' power cord, 110V 40930



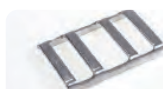
Jacuzzi JSP450A Automatic Submersible Pump – 450GPH

- Pumps up to 450 GPH (Gallons Per Hour)
- Automatic Switch included, set it and forget it
- Includes 25' power cord, 110V 40931

Jacuzzi JSP1800 Manual Submersible Pump – 1800GPH

- Up to 1,800 GPH (Gallons Per Hour)
- 3/4" NPT Discharge
- 1-1/4" adapter included 40932

SAFETY COVER PARTS



Replacement Parts

- 70542 Brass anchor
- 70543 Anchor collar
- 70545 Install rod for safety cover
- 70546 Buckle
- 70547 Spring – single

- 70552 Spring sleeve – single
- 70553 Spring sleeve – double
- 70557 Storage bag – green

Save Water, Heat and Money!



Leslie's Cover Weekly

- Saves Water
 - Saves Heat
 - Saves Money
 - Conserve 100's of gallons of water
 - Reduces evaporation up to 85%
 - Reduces heat loss as much as 70%
- 70715 32 oz



Pool Magic + PHOSfree

- Highly concentrated enzymes blended with PHOSfree phosphate remover
 - Treats 25,000 gal
 - No algae, no "bathtub ring" no hassle!
- 14141 1 ltr

COMMERCIAL REEL



Storm Commercial Reel

- T-Base design for exceptional stability
 - Height adjustable to 30"
 - Includes all straps and hardware
 - Sturdy anodized aluminum tube kits
- 85616 20' Reel w/4" Tubes
85618 24' Reel w/4" Tubes
85619 24' Reel w/5" Tubes

ANTIFREEZE



Antifreeze

- Protect your plumbing
 - 1 gal for every 10" of pipe
 - Non-Toxic & safe for all pool surfaces
 - Protects to -50° Fahrenheit
- 72650 1 gal

WINTER PILL



Winter Pill

- Easy-to-Use, Floats in the Pool, Under the Cover, all winter Long
 - Makes Spring Openings Faster & Easier
- 72660 Winter Pill

KITS



Opening/Closing Kits

- Contains all the chemicals needed to either open or close your pool
- 14876 Closing Kit (7,500 gal)
14877 Closing Kit (15,000 gal)
14878 Closing Kit (35,000 gal)
14880 Opening Kit (7,500 gal)
14881 Opening Kit (15,000 gal)
14882 Opening Kit (35,000 gal)

Great for Service Trade!

WINTER COVERS



Deluxe Winter Cover

- Triple-layered polyethylene material resists acids, salt, alkalis and mildew
 - Heat sealed seams
 - Triple reinforced borders
 - Made with some of the best polyethylene resins for longer life
 - Withstands cold weather to -40° Fahrenheit
- 501418 12' x 24'
501419 15' x 30'
501420 16' x 32'

Many Other Sizes Available



Steel Guard Winter Cover

- Rip-proof technology from an advanced interlock weave manufacturing process
 - You can see and feel the difference
 - Hi-tech lightweight material with full 5' overlap
 - Black and light-proof underside resists algae growth
 - Edges reinforced with super strength polypropylene binding
- 501439 16' x 32'
501440 18' x 36'
501441 20' x 40'
501442 25' x 45'
501443 30' x 50'

Many Other Sizes Available



Polar Protector Winter Cover

- 30% lighter than other covers and 50% stronger!
 - Superior seam strength
 - Water Bag loops every 40"
 - Attractive tan color, blue underside to prohibit algae growth – backed a 20 year warranty
- 400045 16' X 32' COVER
400046 18' X 36' COVER
400047 20' X 40' COVER
400048 25' X 45' COVER
400049 30' X 50' COVER

Many Other Sizes Available

SAFTRON HANDRAILS

High Impact Polymer Pool Rails

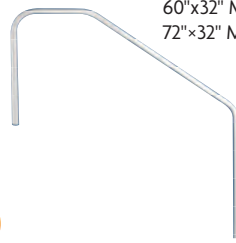
- Fully Encapsulated Steel Reinforced
- No Bonding/Grounding Required.
- Available in 6 Standard Colors
- Best Choice For Use With Salt Chlorinators
- No Rusting, Pitting or Scaling
- Will Not Fade, Chip or Corrode
- Industry Designs And Standards
- Custom sizes available
- 5 Year Warranty



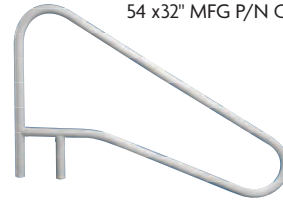
Will not get HOT in the sun



Triton Pool Rails - 6 Standard Colors



60"x32" MFG P/N DTP-360
72"x32" MFG P/N DTP-372



52"x32" MFG P/N CBRTD-352
54"x32" MFG P/N CBRTD-354



48"x35" MFG P/N TDTP-148
60"x35" MFG P/N TDTP-160
72"x35" MFG P/N TDTP-172

TRTD-160



30"x36" MEG P/N CBTRTD-130
44"x36" MEG P/N CBTRTD-144

TRTD-130



24"x67" MFG P/N CBL-324-35
30"x67" MFG P/N CBL-330-35
36"x67" MFG P/N CBL-336-35

More sizes available online

SR SMITH BEND STAIR RAILS



2-Bend Stair Rails

2-Bend Stair Rails come in a wide variety of lengths to accommodate almost any pool. Constructed of stainless steel, these rails can also be powder coated for additional protection.
S/O White
S/O Rock Gray
S/O Taupe



3-Bend Stair Rails

3-Bend Stair Rails come in a wide variety of lengths to accommodate almost any pool. Constructed of stainless steel, these rails can also be powder coated for additional protection.
S/O



Whether it's a minor variation to one of our standard rail configurations, or something dreamed up on your own, Leslie's can build the special rail you need for your project. Large or small, simple or complex, our experienced builders can create any rail you desire. We offer a variety of options so every rail will be built according to your exact specifications.

SR SMITH FIGURE 4 HANDRAILS



Figure 4 Handrails

Figure 4 handrails are constructed from high-quality stainless steel, with the option of powder-coating or vinyl-coating for an added layer of protection.
*Minimum requirement for salt pools is 316L Marine Grade
309357 - 1.90"OD - .065" wall, pair

SR SMITH P-RAILS



P-Rails

P-Rails provide an ideal hand grip for in-wall pool ladders. The long lasting, stainless steel, high-shen mirror finish will keep your pool looking great for years, with little maintenance.
309130 - Rail set w/ Anchor Assembly
309128 - Rail set only
309686 - Anchor Assembly

SR SMITH COMMERCIAL RING HANDRAILS



Commercial Ring Handrails

Commercial Ring handrails provide a suitable hand grip for in-wall pool ladders. The long lasting, stainless steel, high-shen mirror finish will keep your pool looking great for years with little maintenance
309574 - Rails
309575 - Rails

KOOLGRIPS

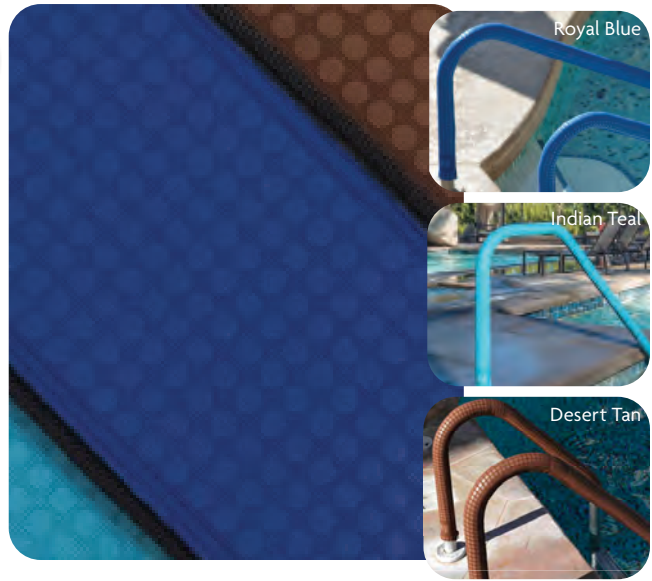
POOL AND SPA HANDRAIL COMFORT COVERS

KoolGrips Comfort Covers provides a nonslip grip and protection from the burn of the summer heat or when rails are too cold to hold during winter than that of an uncovered rail. KoolGrips Comfort Covers are also a great alternative to replacing expensive handrails and ladders due to rust stains, scratches, and dents as well as complementing any yard and patio decorative motif.

Available in 3 colors: Royal Blue, Desert Tan, and Indian Teal
 Five length sizes: 2', 4', 6', 8', and 10'
 Covers fit pool and spa handrails and ladders from 1.625" - 1.9" in diameter.

GREAT ALTERNATIVE to replacing rusted, stained and dented rails
 GREAT PROTECTION from hot or cold handrails
 GIVES EXTRA ASSISTANCE to children and seniors

Providing comfort with a nonslip grip...every customer, every time!



SR SMITH LADDERS



Commercial Ladders

Commercial ladders are made from thick stainless steel tubing, and are suitable for heavy duty use in commercial aquatic facilities. Commercial ladders come in three different sizes, 24", 30" or 36" to fit your pool. Stainless steel treads will ensure that your ladder stays looking great for years to come.
 S/O 24", 30", 36" Ladders



Standard Crossbrace Plus Ladders

Standard Crossbrace Plus ladders are made from thick stainless steel tubing, and are suitable for heavy duty use in commercial aquatic facilities. These ladders feature a crossbrace for added stability, with either durable plastic or stainless steel treads.
 S/O Standard Crossbrace



Standard Plus Ladders

Standard Plus ladders are made from thick stainless steel tubing, and are suitable for heavy duty use in commercial aquatic facilities. These ladders can be configured with either durable plastic or stainless steel treads.
 S/O Standard Plus

SR SMITH LADDER PARTS & ACCESSORIES



17.5" Recessed Step

62-209-4001	White
62-209-4002	Black

20" Safety-Pool Step Retrofit Kit*

62-209-602C	2-Step Kit
62-209-603C	3-Step Kit
62-209-604C	4-Step Kit
62-209-605C	5-Step Kit

*Designed to fit only ladders made prior to Jan 1, 2020

20" Elite Stainless Steel Tread (1.90" OD)

LTDF-103	1 tread, no hardware
8-912S	2 treads hardware kit
8-913S	3 treads hardware kit
8-914S	4 treads hardware kit
60-701	Hardware only for 2 treads
60-702	Hardware only for 3 treads
6-300	End cap
6-301	Black insert



20" Elite Stainless Steel Tread (15° tilt)

LTDF-105	1 tread, no hardware
60-701	Hardware only for 2 treads
60-702	Hardware only for 3 treads
6-301	Black insert
6-303L	Left end cap
6-303R	Right end cap

20" Plastic Tread

LTDF-106	1 tread, no hardware
8-932	2 treads hardware kit
8-933	3 treads hardware kit
8-934	4 treads hardware kit
8-935	5 treads hardware kit
60-704	Hardware only for 2 treads

Plastic Tread (15° tilt)

S2470-102	Tread w/15° tilt/hardware
2350105	Tread w/15° tilt only

[Click here to Connect with your Account Manager](#)

LANE LINES

Anti-Wave Lane Lines

Designed to deflect wave motions downward through hydrodynamic propulsion for wake-free competitive swimming. Durable, injection-molded polyethylene discs with built-in UV and chemical resistors. Ships assembled and complete with an "S" hook on one end and a Supertensioner™ on the other. All hardware is made of stainless steel and plastic. Water polo boundary and goal tethers available.



Anti-Wave Forerunner 4.75" Lane Line

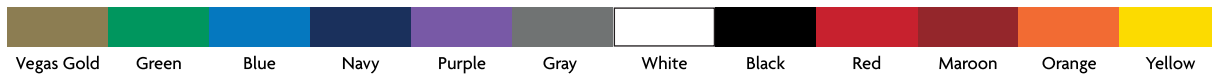


4.75" FORERUNNER LANE LINES		6" MAXIMUM LANE LINES	
S/O	50M LINE	S/O	50M LINE
S/O	50M LINE WITH 1 DISCONNECT	S/O	50M LINE WITH 1 DISCONNECT
S/O	50M LINE WITH 2 DISCONNECTS	S/O	50M LINE WITH 2 DISCONNECTS



Supertensioner

The Supertensioner provides a quick, easy way to tighten lane lines without the need for extra tools or ratchet mechanisms. The Supertensioner can easily be fitted to any manufacturer's lane lines and comes with a 5-year warranty. Please specify color when ordering. Comes fitted as standard on all AntiWave and Forerunner lanes.
 902585 Supertensioner



COMPETITOR LANE LINES

Competitor Lane Lines

Patented flow-through design controls water turbulence by allowing wave energy to be dispersed along the length of the lane. Consists of a series of polyethylene disks and donuts that rotate independently, allowing wave energy to be absorbed and dispersed within the channel of the lane, optimizing conditions for training and competition. Ships fully assembled.



4" COMPETITOR LANE LINES		6" COMPETITOR GOLD MEDAL LANE LINES	
S/O	60 FT LANE	S/O	60 FT LANE
900789	75 FT LANE		
905743	25M LANE	903048	75 FT LANE
S/O	50M LANE	903326	25M LANE
386555	25M DISC TO 1-75' LANE	S/O	50M LANE
S/O	50M DISC TO 2-75' LANES	S/O	25M DISC TO 1-75' LANE
S/O	50M DISC TO 1-75' LANE	S/O	50M DISC TO 2-75' LANES
S/O	50M DISC TO 1-75' LANE & 1-25M LANE	S/O	50M DISC TO 1-75' LANE & 1-25M LANE
902277	4" CUSTOM LANE LINES (PER FT.)	382478	6" CUSTOM LANE LINES (PER FT.)
900198	HARDWARE KIT FOR CUSTOM LINES		





Classic Stor-Lane Reel™

Competitor's Classic Stor Lane Reel™ is ideal for easy, mobile storage and installation of racing lanes. Solid, molded end-wheels keep lines safely on the core to avoid tangles and line damage. A powder-coated aluminum frame offers easy and safe maneuverability.

- 84860 Lane Line Storage Reel
- 84862 Lane Line Cover (Sold Separately)

Classic		Elite	
4" CAPACITY			
6 LANES	60'	15 LANES	
7 LANES	75'	12 LANES	
6" CAPACITY			
5 LANES	60'	8 LANES	
4 LANES	75'	6 LANES	
3 LANES	25M	6 LANES	
1 LANE	50M	3 LANES	

LANE LINE PARTS



	DESCRIPTION
902277	4" COMPETITOR BODY SEGMENT
902279	4" COMPETITOR END SEGMENT
902278	COMPETITOR DONUT FLOAT
377817	RATCHET TAKE UP REEL
S/O	RATCHET WRENCH
377678	STAINLESS STEEL SPRING & CABLE LOCK
S/O	2" STANDARD RACING LANE "S" HOOK
900973	LANE LINE CABLE – 3/16" VINYL COATED



Lane Line Guard

- Deep channel with smooth surface
 - Lightweight with strong fiberglass construction
 - Extends the life of lane lines, saving money
 - Offers protection & helps grip the pool deck
- MFG Part #37000 Lane Line Guard
957287

FLAGS



Custom Flags

- Print any customized logo on your flags
 - Competitor® backstroke flags consist of an oxford nylon material in a range of colors that meet all FINA, NCAA, USA, and NFHS regulations.
- S/O

Flag Sizes: Small: 11" x 14.5" Large: 12" x 18"



Economy Flags

- 24, 12" X 18" plastic flags on a 50' nylon cord
- 956772 White
- 385479 Blue
- 386244 Yellow
- 379558 Red
- 385477 Gray

COMPETITIVE PACE CLOCKS



15" Pace Clock

Ideal for swim training, aerobics and personal training. This battery-powered unit features an easy to transport top-handle and flat base. Clock housings are offered in red or white and includes a "AA" Battery.

84482 White Face
84483 Red Face



31" Pace Clock

Our 31" Pace Clocks are designed primarily for competitive swim training. They may be wall-mounted or secured to a roll-away stand. The electric option includes an 18-foot electrical cord, with on/off switch. The battery option includes a "C" Battery.

84880 Electric Clock with White Face
382284 Roll Away Stand for 31" clocks



37" Pace Clock

Our 37" Pace Clocks feature large, highly visible 3.5" quarter numbers, designed primarily for competitive swim training. The electric option includes an 18-foot electrical cord with an on/off switch. The battery option includes a "C" Battery.

904606 Battery Powered with White Face
905186 Electric Clock with White Face

[Click here to Connect with your Account Manager](#)

SR SMITH DIVING BOARDS



Steel Meter Stand

The Steel Meter stand comes in three sizes ranging from 1/2 meter to 1 meter in height. The steel, powder coated construction is built to last for years with minimal maintenance. Board length will be determined by size and type of pool. Handrails are required for 3/4 and 1 Meter models and are sold separately
S/O Steel Meter Stand



Deluxe Towers

Deluxe Towers come in 1 and 3 meter heights to accommodate 14' or 16' diving boards, allowing you to find the perfect size for your commercial diving pool. Choose from right, left, dual or heel mount models. The steel tower is primed only and ready for a paint topcoat.
S/O Deluxe Tower



Econoline 1 Meter Tower

The Econoline 1 Meter Tower is a great stand for commercial pools that need a durable, mid-sized diving tower that will hold up to moderate to heavy-duty use. The Econoline tower is primed only and requires a paint topcoat. Handrails are required for this tower, and are sold separately.
S/O 1 Meter Tower

Leslie's Swimming Pool Supplies does not offer installation for Diving Platforms



Olympian Board Aluminum



Frontier III Board



Frontier IV Board





Growler

One of Spectrum's most popular starting platforms, the Growler is great for all levels of competition and features the largest top in the industry.

- Large 25" x 32" single piece LDPE platform with molded-in, non-slip surface; no exposed bolts or hardware
- Front hand and toe grip for faster takeoffs
- 8" x 10" access step with molded-in, non-slip surface available in side or rear
- Side step accommodates anchor setbacks of 18" to 36"
- Rear step accommodates anchor setbacks of 30" to 36"
- Backstroke handles with versatile 18" H-ba
- Easy-to-read, large numbers visible from all four sides
- Complies with FINA, USA Swimming, NCAA and NFHS regulation

S/O Growler Side Step
S/O Growler Rear Step



Bighorn

- 23" x 25" non-slip surface with no exposed bolts or hardware
- 20" molded-in, non-slip surface step tread
- Standard Bighorn accommodates anchor setbacks of 20" to 30"
- Long reach model accommodates an anchor setback of up to 40"
- Backstroke handles with versatile 18" U-ba
- Anchors sold separately
- Complies with FINA, USA Swimming, NCAA and NFHS regulation

S/O Bighorn
S/O Long Reach Bighorn



Xcellerator

- Large 24" x 32" stainless steel top sloped at a 10° angle for optimal starting stances
- Covered in a superior non-slip material
- Easy-to-adjust track start footrest with 12 locations to accommodate all heights and levels of flexibility
- Uses single post anchor with patented design allowing for easy removal
- Side handles included to enhance speed and faster takeoffs
- Non-slip side access step
- Backstroke handles with versatile 18" H-ba
- Stainless steel construction
- Suggested setback of 30" – accommodates anchor setbacks of 18" to 38"

S/O Xcellerator Single Post



Grizzly

Another one of Spectrum's popular starting platforms. Great for all levels of competition.

- 23" x 25" single piece LDPE platform with molded-in, non-slip surface; no exposed bolts or hardware
- Front hand and toe grip for faster takeoffs
- 8" x 10" LDPE side or rear access step with molded-in, non-slip surface
- Accommodates anchor setbacks of 20" to 30"
- Backstroke handles with versatile 18" H-ba
- Superior stability and performance
- Easy-to-read, large numbers visible from all four sides
- Complies with FINA, USA Swimming, NCAA and NFHS regulation

S/O Grizzly Side Step
S/O Grizzly Rear Step



Cougar

- 25" x 32" non-slip surface LDPE platform with molded-in, non-slip surface; no exposed bolts or hardware
- Easy-to-read, large numbers visible from all four sides
- 8" x 10" access step with molded-in, non-slip surface available in side or rear
- Backstroke handles with versatile 18" U-ba
- Sleek platform top and step treads with no exposed bolts or hardware
- Available with side & rear step
- Cougar side step accommodates anchor setbacks of 18" to 40"
- Cougar rear step accommodates anchor setbacks of 30" to 40"
- Complies with FINA, USA Swimming, NCAA and NFHS regulation

S/O Cougar Side Step
S/O Cougar Rear Step



Record Breaker

- Large 24" x 32" stainless steel top sloped at a 10° angle for optimal starting stances
- Covered in a superior non-slip material
- Easily upgradable to Xcellerator with addition of side handles & track start footrest
- Uses single post anchor with patented anti-wobble design allowing for easy removal
- Non-slip access step, available on side or rear
- Side step accommodates anchor setbacks of 18" to 38"
- Rear step accommodates anchor setbacks of 30" to 38"
- Backstroke handles with versatile 18" H-ba
- Easy-to-read, large numbers visible from all four sides
- Available in black, with upgrade of custom colors and logos available

S/O Record Breaker Single Post



Swim N' Dunk Commercial RockSolid™ Basketball Game

Features a patented RockSolid anchor to eliminate movement against the toughest opponents, and a rugged SealedSteel® Salt Friendly single post frame and rim to guard against corrosion. When you need your deck to be clear, the game can be easily removed from the anchor, and the optional anchor cap put in place.

- Conveniently ships one box for easy handling and storage
- Single post design with an 18" anchor setback
- Salt Friendly SealedSteel® models are ideal for harsh indoor commercial environments
- Patented RockSolid® anchor ensures long term stability (won't wobble)
- Includes patented RockSolid® Anchor and salt friendly escutcheons

Specifications: 18" setback to center of anchor. Commercial grade 2.50" square, 304 stainless steel frame (Salt Friendly vinyl coated). Regulation rim, net, basketball, needle, anchor and escutcheon is included.

362084 Swim N' Dunk Basketball Game



Swim N' Dunk Commercial RockSolid™ Extended Reach®

Extended Reach version, with a 30" setback that works well in commercial aquatic facilities with wide overflow or parapet gutters. Features a patented RockSolid™ anchor to eliminate movement against the toughest opponents, and a rugged SealedSteel® Salt Friendly single post frame and rim to guard against corrosion. When you need your deck to be clear, the game can be easily removed from.

- Conveniently ships one box for easy handling and storage
- Single post design with an 30" anchor setback
- Salt Friendly SealedSteel® models are ideal for harsh indoor commercial environments
- Patented RockSolid® anchor ensures long term stability (won't wobble)
- Includes patented RockSolid® Anchor and salt friendly escutcheons

Specifications: 30" setback to center of anchor. Commercial grade 2.50" square, 304 stainless steel frame (Salt Friendly vinyl coated). Regulation rim, net, basketball, needle, anchor and escutcheon is included.

904770 - Game with anchor

951978 - Game with no anchor



Swim N' Dunk Commercial Dual Post

Features a SealedSteel® coated, one-piece upright frame and rim. The continuous uprights require less hardware and allow for quicker assembly, while the SealedSteel® Salt Friendly coating will stand up to harsh pool environments. When you need your deck to be clear, the game can be easily removed from the anchor, and the optional anchor caps put in place.

- Conveniently ships in 2 boxes for easy handling and storage
- Single-piece rail, dual-post design with an 18" anchor setback
- Salt Friendly SealedSteel® models are ideal for harsh indoor commercial environments
- Comes standard with a plastic anchor & salt friendly escutcheons (optional bronze anchor available for purchase, separately) Comes standard with a plastic anchor & salt friendly escutcheons (optional bronze anchor available for purchase, separately)

309187 Swim N' Dunk Commercial Dual Post Basketball Game



Commercial Volleyball Game

Comes in three sizes: 32' net, 42' net, or 52' net. Each net has 3' ties on each side. When you want to store the game, simply remove it from the anchors and replace with optional anchor caps for a flush look.

- Specifications: 1.90" OD, 304 stainless steel uprights with a 4' installed height. Competitive water volleyball, needle and anchors are included

309675 - 32' Net

309676 - 42' Net

309677 - 52' Net

FOAM FLOATS



Baja Folding Lounge

- Fully Adjustable Recliner
 - Double thick layers of Super Soft® vinyl coated foam work together with an internal steel frame that provides years of durability
- 79666 - Marina Blue



Texas Recreation Float

- Bring luxury and comfort to your poolside retreat with the Texas Recreation Sunwave 1.5" Wavy Pool Float.
- 75375 - Marina Blue



Baja Folding Chair

- Folding Chair features vinyl coated closed-cell foam with a full metal frame, along with steel reinforced arms and a backrest that unfolds into a comfortable seated position
- 79662 - Marina Blue



Made In USA

Monterey Float

- Made from soft aqua sell foam
 - Gently conforms to shape of your body
 - Head and neck rest
 - UV resistant, latex free
 - Unaffected by chlorine
 - 72" L
- 78581 Monterey

WATER EXERCISE EQUIPMENT



Aquatic Fitness Kit

This fitness kit comes with a power trio of toning tools to help build upper body strength. Includes flotation belt to increase flotation to maximize your workout.

76931

TRAINING PLATFORM



Swim Training Platform

- 300 lb (136 kg) weight capacity
 - 42" x 60" non-slip platform
 - Removable side rails
 - Adjustable height legs from 16" to 21"
- 956418 Swim Training Platform

Email Us for Help Finding the Right Solution

AQUATIC EXERCISE BIKES



TidalWave Bike

- Multiple levels of resistance with adjustable seat. Recumbent and Sport seat option
 - Collapsible for storage & hanging. Weighs on 40 lbs
 - Three year warranty on frame, one year warranty on parts & transmission
 - Stainless steel construction with durable powder coat finish
 - 300 lbs (136 kg) weight capacity
- S/O F-ACTPB

STANDARD COLORS:



NON-STANDARD COLORS:
*on orders of 10 or more



POOL ELLIPTICAL



Elly Pool Elliptical

- Easy to move, scratch resistant wheels
 - Wide PVC pedals ideal for bare feet
 - Adjustable ergonomic handles
 - Arm blades add resistance
 - Suitable for all pool finishes
- S/O Elly Pool Elliptical

[Click here to Connect with your Account Manager](#)

Chlorinators / Replacement Cells130

Hayward Goldline Controllers131
 Hayward CL-100 In-Line & CL110 Off-Line133
 Hayward CF High Capacity, CL200 In-Line & C220 Off-Line134
 Pentair Rainbow 300-Series Off-Line135
 Pentair Rainbow 320-Series In-Line136
 Waterway In-Line Series.....137

Feeder Pumps

Blue-White A-100138
 Blue-White FlexFlo A-100N139
 Rola-Chem140
 Stenner - Classic & Quick Pro Series.....141

Feeder Parts 142

Handheld Cleaners

Parts.....144
 Pentair Rainbow ProVac Commercial Grade.....145
 Pentair Rainbow & Kreepy Krauly.....146

Light Fixtures / Parts

Bulbs.....147
 Fixtures148

Filters

Hayward Star-Clear II.....150
 Hayward ProGrid151
 Hayward Micro-Clear152
 Hayward Pro Series Plus S311-360153
 Hayward Pro Series Side-Mount.....154
 Hayward HCF.....155
 Pentair Clean & Clear Plus156
 Pentair Predator & Clean & Clear157
 Pentair / Sta-Rite Posi-Clear PXC158
 Pentair / Sta-Rite Posi-Flo II PTM159
 Pentair Quad DE160
 Pentair / Sta-Rite System 3 (Cartridge, Sand or DE)161
 Pentair FNS DE (1993-Current)162
 Pentair Nautilus (Pac-Fab 1992-)163
 Pentair Tagelus164
 Pentair Triton C3165
 Pentair Triton II166
 Pentair TRI00 & TRI40C167
 Pentair THS168

Pumps

Pentair EQ-Series169
 Pentair Challenger170
 Pentair / Sta-Rite Dura-Glas & Max-E-Glas171
 Pentair / Sta-Rite Dura-Glas II & Max-E-Glas II172
 Pentair IntelliFlo173
 Pentair IntelliFlo XF & WhisperFlo XF174
 Pentair / Sta-Rite Max-E-Pro175
 Pentair WhisperFlo.....176
 Pentair C-Series177
 Hayward EcoStar178
 Hayward Max-Flo179
 Hayward Max-Flo II180
 Hayward NorthStar181
 Hayward Super Pump182
 Hayward RS & Super II183
 Hayward Tri-Star & Energy-Flo184
 Hayward HCP.....185

Pump Parts

Pump Seals.....186

Pump Baskets And Lids 188

Skimmer Parts / Inlet Parts 190

Skimmer Parts / Baskets / Deck Lids..... 191

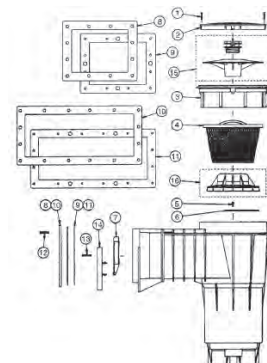
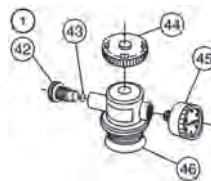
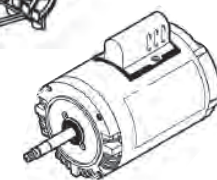
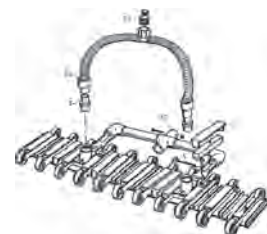
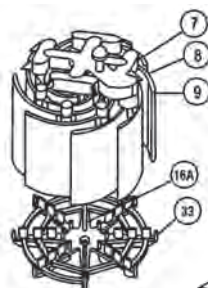
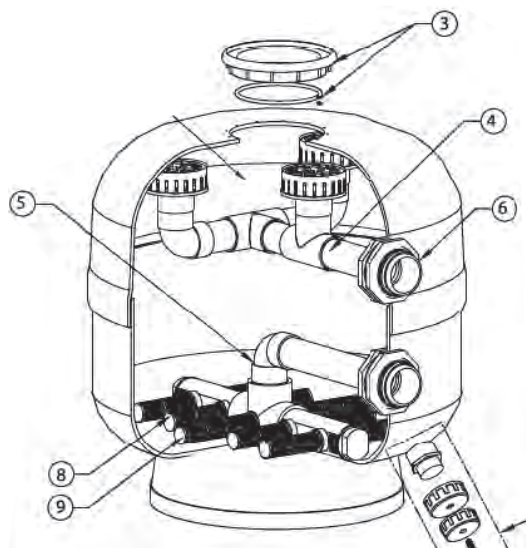
Drain Covers..... 193

Skimmers

Hayward SP1070 & SP1080 Series196
 Hayward SP1089 & SP1090 Series197
 Pentair Admiral (American)198
 Pentair Bermuda (Pac-Fab) & FAS (American)199
 Pentair Skim-Clean (Pac-Fab) & U3 (Sta-Rite)200
 Waterway Renegade In-Ground201

Heaters

Pentair MasterTemp202
 Pentair Mini-Max NT204
 Pentair Mini-Max Plus205
 Raypak RP2100 (1998-Current)207
 Raypak Digital (Atmospheric)210
 Raypak Digital LoNOx & Atmospheric212
 Raypak Digital LoNOx213
 Hayward H-Series Commercial214
 Zodiac Jandy LT & LX (2003-Current)216



RECOMMENDED GUIDELINES FOR WATER QUALITY

APSP (ASSOCIATION OF POOL & SPA PROFESSIONALS) GUIDELINES
FOR CHEMICAL OPERATIONAL PARAMETERS† (effective 4/2011)

	Minimum	Ideal	Maximum
Free Chlorine (FAC)	Pool: 1.0 ppm Spa: 2.0 ppm	2.0 – 4.0 ppm 2.0 – 4.0 ppm	None Given‡
Combined Chlorine (CAC)	0.0 ppm	0.0 ppm	Pool: 0.2 ppm Spa: 0.5 ppm
Bromine	Pool: 1.0 ppm Spa: 2.0 ppm	3.0 – 4.0 ppm 4.0 – 6.0 ppm	None Given‡
pH	7.2	7.4 – 7.6	7.8 #
Total Alkalinity Ideal range depends upon the type of sanitizer used. Maintain between 80-120 ppm.	60 ppm	80 – 100 ppm (for calcium hypochlorite, sodium hypochlorite and lithium hypochlorite) 100 – 120 ppm (for gas chlorine, dichlor, tri-chlor and bromine compounds)	180 ppm
Calcium Hardness	Pool: 150 ppm Spa: 100 ppm	200 – 400 ppm 150 – 250 ppm	1000 ppm* 800 ppm
TDS	N/A	N/A	1500 ppm over start-up TDS**
Iron & Copper (Heavy Metals)	0.0 ppm	0.0 ppm	0.0 ppm
Stabilizer ## (Cyanuric Acid)	10 ppm	30 – 50 ppm	100 ppm #

† Applicable health department guidelines and label directions supersede these.

‡ U.S. EPA maximum of 4.0 ppm chlorine / 8.0 ppm bromine is noted.

* Depends on local fill water conditions. Normally 500 ppm is the maximum.

** If the pool has a chlorine generator, drain when the TDS is 1500 ppm above the salt level. Most health departments recommend draining a spa when the TDS is 1200-1500 ppm above the fill water TDS level. Never drain more than a third of the water from vinyl-liner or fiberglass pools at any time. The preferred method is to drain one foot of pool water and add one foot of fresh water at the same time. Always drain using a submersible pump.

Varies per state and local health code.

Outdoor, chlorinated pools only.

Calculation Formulas

AMOUNT CONVERSIONS

Ounces to Pounds Ounces ÷ 16 = Pounds
 Fluid Ounces to Gallons Fluid Ounces ÷ 128 = Gallons

DISTANCE CONVERSIONS

Yards to Feet Yards x 3 = Feet
 Meters to Feet Meters x 3.28 = Feet

SURFACE AREAS

Circle: $3.14 \times \text{radius} \times \text{radius} = \text{Square Feet (Ft}^2\text{)}$
 (radius = diameter ÷ 2)
 Rectangle/Square: Length x Width = Square Feet (Ft²)
 Triangle: (Length x Width) ÷ 2 = Square Feet (Ft²)

POOL VOLUME

Surface Area x Average Depth x 7.48 (7.50 = GALLONS)
 Average Depth = (shallow depth + deep depth) ÷ 2

TURNOVER RATE

Pool Volume ÷ Flow Rate ÷ 60 = Hours

FLOW RATE (MINIMUM)

Pool Volume ÷ Turnover Rate (hours) ÷ 60 = Gallons per Minute (GPM)

FILTER SURFACE AREA

Flow Rate ÷ Filter Media Rate = Square Feet (Ft²) of Filter Surface Area Needed

FILTER MEDIA RATE

Also known as FILTERING RATE, MEDIA ABILITY OF FILTERING ABILITY
 (Measured in gallons per minute per ft²)

TYPE OF FILTER	GPM PER FT ² OF FILTER AREA	ACCEPTED RATE
D.E. (W/O Slurry Feed)	1.5 – 2.5	*2.0
D.E. (W/Slurry Feed)	2.0 – 3.0	*2.5
SAND (High Rate)	5.0 – 20.0	*5.0 - 20.0
SAND (Rapid Rate)	1.5 – 5.0	*3.0
CARTRIDGE	0.375 – 1.0	*0.375

***VARIES PER STATE AND LOCAL CODES** (Based upon type and style of filter –pressure or vacuum)

Filter Media Rate = Gallons per Minute per Square Foot (Ft²)

MAXIMUM USER (BATHER) CAPACITY

Surface Area ÷ Health Code Bather Capacity = **MAXIMUM USER CAPACITY**

How To Adjust pH and Alkalinity

To Increase pH Using Soda Ash
(Sodium Carbonate, 100%)
with the Taylor Base Demand Procedure*

Volume of Water – U.S. Gallons							
Drops of Taylor Base Demand Reagent*	400 gal/ton	1,000 gal/ton	3,000 gal/ton	10,000 gal/ton	20,000 gal/ton	50,000 gal/ton	100,000 gal/ton
1 drop	0.28 oz	0.91 oz	2.56 oz	5.0 lb	10.3 oz	1.60 lb	1.28 lb
2 drops	0.48 oz	1.51 oz	4.27 oz	8.53 oz	1.75 lb	3.20 lb	6.40 lb
3 drops	0.62 oz	1.94 oz	5.69 oz	11.4 oz	1.92 lb	4.48 lb	8.96 lb
4 drops	0.82 oz	2.65 oz	7.71 oz	15.2 lb	2.50 lb	6.40 lb	12.8 lb
5 drops	1.08 oz	3.56 oz	10.1 oz	20.3 lb	3.20 lb	8.00 lb	16.0 lb
6 drops	1.23 oz	4.04 oz	11.4 oz	22.8 lb	3.85 lb	9.60 lb	19.2 lb
7 drops	1.44 oz	4.59 oz	12.8 lb	25.4 lb	4.49 lb	11.2 lb	22.4 lb
8 drops	1.64 oz	5.10 oz	14.2 lb	28.1 lb	5.03 lb	12.8 lb	25.6 lb
9 drops	1.85 oz	5.61 oz	15.6 lb	30.9 lb	5.57 lb	14.4 lb	28.8 lb
10 drops	2.05 oz	6.12 oz	17.0 lb	33.7 lb	6.10 lb	16.0 lb	32.0 lb

To Decrease pH Using Muriatic Acid
(20° Baumé / 31.45% HCl)
with the Taylor Acid Demand Procedure*

Volume of Water – U.S. Gallons							
Drops of Taylor Acid Demand Reagent*	400 gal/ton	1,000 gal/ton	3,000 gal/ton	10,000 gal/ton	20,000 gal/ton	50,000 gal/ton	100,000 gal/ton
1 drop	0.37 oz	0.92 oz	4.58 oz	9.16 oz	1.85 pt	1.43 pt	2.86 qt
2 drops	0.73 oz	1.83 oz	9.16 oz	1.85 pt	1.85 qt	2.86 qt	1.43 gal
3 drops	1.10 oz	2.75 oz	13.77 oz	1.72 qt	1.72 qt	1.87 gal	2.86 gal
4 drops	1.47 oz	3.67 oz	1.85 pt	1.85 qt	2.29 qt	1.43 gal	2.86 gal
5 drops	1.83 oz	4.58 oz	1.43 pt	1.43 qt	2.86 qt	1.79 gal	1.58 gal
6 drops	2.20 oz	5.50 oz	1.72 pt	1.72 qt	3.44 qt	2.15 gal	4.30 gal
7 drops	2.57 oz	6.41 oz	1.80 qt	2.00 qt	1.00 gal	2.51 gal	5.01 gal
8 drops	2.93 oz	7.33 oz	1.85 qt	2.29 qt	1.15 gal	2.86 gal	5.73 gal
9 drops	3.30 oz	8.25 oz	1.29 qt	2.58 qt	1.29 gal	3.22 gal	6.44 gal
10 drops	3.67 oz	9.16 oz	1.43 qt	2.86 qt	1.43 gal	3.58 gal	7.16 gal

To Increase Alkalinity Using Baking Soda
(Sodium Bicarbonate, 100%)

Volume of Water – U.S. Gallons							
Desired Increase in ppm	400 gal/ton	1,000 gal/ton	3,000 gal/ton	10,000 gal/ton	20,000 gal/ton	50,000 gal/ton	100,000 gal/ton
10 ppm	0.90 oz	2.24 oz	6.7 oz	1.40 lb	2.80 lb	7.00 lb	14.0 lb
20 ppm	1.79 oz	4.48 oz	1.40 lb	2.80 lb	5.60 lb	14.0 lb	28.0 lb
30 ppm	2.69 oz	6.72 oz	2.10 lb	4.20 lb	8.40 lb	21.0 lb	42.0 lb
40 ppm	3.58 oz	8.97 oz	2.80 lb	5.60 lb	11.2 lb	28.0 lb	56.0 lb
50 ppm	4.48 oz	11.2 oz	3.50 lb	7.00 lb	14.0 lb	35.0 lb	70.0 lb
60 ppm	5.38 oz	13.4 oz	4.20 lb	8.40 lb	16.8 lb	42.0 lb	84.0 lb
70 ppm	6.28 oz	15.7 oz	4.90 lb	9.80 lb	19.6 lb	49.0 lb	98.0 lb
80 ppm	7.17 oz	18.0 lb	5.60 lb	11.2 lb	22.4 lb	56.0 lb	112 lb
90 ppm	8.07 oz	20.3 lb	6.30 lb	12.6 lb	25.2 lb	63.0 lb	126 lb
100 ppm	8.97 oz	22.6 lb	7.00 lb	14.0 lb	28.0 lb	70.0 lb	140 lb

To Decrease Alkalinity Using Muriatic Acid
(20° Baumé / 31.45% HCl)

Volume of Water – U.S. Gallons							
Desired Decrease in ppm	400 gal/ton	1,000 gal/ton	3,000 gal/ton	10,000 gal/ton	20,000 gal/ton	50,000 gal/ton	100,000 gal/ton
10 ppm	1.02 oz	2.56 oz	7.68 oz	1.60 pt	1.60 qt	1.99 qt	2.80 gal
20 ppm	2.04 oz	5.11 oz	1.60 pt	1.60 qt	3.20 qt	2.00 gal	3.99 gal
30 ppm	3.07 oz	7.67 oz	1.20 qt	2.40 qt	1.20 gal	1.00 gal	5.99 gal
40 ppm	4.09 oz	10.2 oz	1.60 qt	3.20 qt	1.60 gal	3.99 gal	7.99 gal
50 ppm	5.11 oz	12.8 oz	2.00 qt	3.99 qt	2.00 gal	4.99 gal	9.98 gal
60 ppm	6.13 oz	15.3 oz	2.40 qt	1.20 gal	2.40 gal	5.99 gal	11.98 gal
70 ppm	7.15 oz	17.9 pt	2.80 qt	1.40 gal	2.80 gal	6.99 gal	13.98 gal
80 ppm	8.17 oz	20.4 pt	3.20 qt	1.60 gal	3.20 gal	7.99 gal	15.98 gal
90 ppm	9.20 oz	22.9 pt	3.59 qt	1.80 gal	3.59 gal	8.99 gal	17.98 gal
100 ppm	10.2 oz	25.4 pt	3.99 qt	2.00 gal	3.99 gal	9.98 gal	20.0 gal

30 ppm Super-Shock Table for Algae Removal*

Volume of Water – U.S. Gallons							
	% Available Chlorine	400 gal/ton	1,000 gal/ton	3,000 gal/ton	10,000 gal/ton	20,000 gal/ton	50,000 gal/ton
Liquid Chlorine	5%	1.92 qt	2.40 qt	3.00 gal	6.00 gal	12.0 gal	30.0 gal
	10%	1.54 oz	1.20 qt	1.50 gal	3.00 gal	6.00 gal	15.0 gal
	12%	12.8 oz	1.00 qt	1.25 gal	2.50 gal	5.00 gal	12.5 gal
	35%	4.58 oz	1.4 oz	1.58 lb	7.5 lb	14.3 lb	35.8 lb
Cal-Hypo	60%	2.67 oz	6.68 oz	2.09 lb	4.17 lb	8.35 lb	20.9 lb
	68%	2.47 oz	6.17 oz	1.93 lb	3.85 lb	7.70 lb	19.3 lb
	75%	2.27 oz	5.66 oz	1.77 lb	3.53 lb	7.05 lb	17.7 lb
	90%	1.78 oz	4.45 oz	1.39 lb	2.78 lb	5.56 lb	13.9 lb
	100%	1.6 oz	4.08 oz	1.25 lb	2.50 lb	5.00 lb	12.5 lb

NOTE

- Acid is used to lower both pH and alkalinity.
- To lower pH, spread acid around pool.
- To lower alkalinity, pour acid in a few single spots.
- Add acid in several doses over one or more days.

MEASURES

- 1 gallon = 4 qts = 128 oz, 3.9 qts = 1 liter
- 1 quart = 2 pints = 32 oz
- 1 cubic foot of pool/spa volume = 7.5 gallons
- Pool/Spa water volume = L x W x Av. Depth x 7.5

WARNINGS

1. Heater turned off 15 minutes before turning off pump
2. Pump turned off before you backwash
3. Don't mix chemicals; always add chemicals to some water
4. When adding acid & chlorine — add acid first and wait 4 hours
5. Don't let stabilizer get above 100 ppm; you'll have to drain
6. Store test reagents out of heat or sun; get new each year
7. Low pH (<7.2) eats copper heater tubes and other components
8. Troubleshoot constant air bubbles in return lines
9. Fence gates must open outward from inside pool area
10. Must shock regularly: weekly in summer, monthly in winter
11. Bather load is biggest factor eating up chlorine

MAIN DAILY ROUTINE

1. Empty pump and skimmer baskets
2. Check and log filter pressure; high and low readings need to be studied
3. Backwash if filter pressure rises 10 lb above normal
4. Test water daily; record in Daily Log; see trend of data
5. After tests, adjust/add your chemicals in several small doses
6. Vacuum; and use filter protective debris canister
7. Brush walls, corners, steps very well with nylon brush
8. Check for safety equip; look for loose rails
9. Is there surface water circulation?; Adjust returns to same direction
10. Check flow out of chlorinator
11. Get rid of air in filter and pump pot lid; check suction side for leaks
12. Adjust water level halfway up skimmer hole; do you have weir doors

HELPFUL HINTS

1. Change spa water every 10-14 days
2. Use non-chlorine shock in spa and pool; swim in 20 minutes
3. If you use 3" tabs — supplement with liquid chlorine
4. If you use 3" tabs, fill chlorinator tube no more than 1/2
5. Add smaller chemical amounts frequently, not large amounts at once
6. Clean/replace chlorinator parts every 2-4 months
7. Change sand every 1-2 years; open lid — examine sand quality
8. Degrease sand every 10 days in summer with sand cleaner
9. Use algae preventative regularly; proper level chlorine is best
10. Use Phos Free regularly; keep phosphate below 125 ppB
11. For heavy bather load, use enzyme oil esters once a week
12. Lube all lids and backwash valve O-rings with silicone
13. Label all equipment room pipes for direction and purpose
14. Adjust TA before adjust pH; adjust pH before adjust chlorine
15. Adding acid in one place adjusts TA; walk around adjusts pH

HEALTH DEPT TARGETS

Chlorine Pool	1.0 – 5.0
Chlorine Spa	3.0 – 5.0
pH	7.2 – 7.8
Total Alkalinity	60 – 180
Stabilizer (cyanuric)	below 100
Calcium	200 – 400 ppm
Spa Temp	below 105

PROBLEMS AND SOLUTIONS

PROBLEM: Cloudy Water (Pool or Spa)

SOLUTION:

- A. Check filter for backwash need and/or degrease filter sand with cleaner. May need sand change. Filter too small for bather load. Check circulation: pump clogged, impeller too small, skimmers blocked.
- B. Check for early stage algae formation; if algae exists, bring chlorine level to 30 ppm with liquid applied late afternoon.
- C. After heavy bather load: superchlorinate: 90 oz liq/10,000 gal
- D. After wind/rain deposit dirt, use clarifier and shock.
- E. Make sure water is balanced for calcium and TA.
- F. Regularly replace spa water with fresh water (10 day cycles)

PROBLEM: Heater Not (igniting or Won't Stay Lit)

SOLUTION:

- A. Clean pump and skimmer baskets
- B. Backwash filter
- C. Check for obstructions
- D. Look for loose or broken wires at connections
- E. Clean/replace pilot

PROBLEM: Spa/Pool Water has Chlorine Color due to Dirty Chlorine

SOLUTION:

- A. Shock water
- B. Change water

PROBLEM: Oil on Water Surface from Sun Tan Lotion and Body Oil

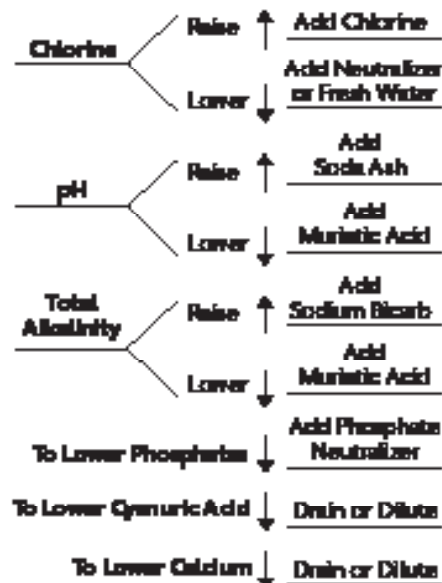
SOLUTION:

- A. Add enzyme oil ester
- B. Degrease or change sand

DOSAGES

1. To kill minor algae, raise 10,000 gal to 30 ppm with 3 gal fresh liquid chlorine; to kill advanced algae, raise 10,000 to 40 ppm with 4 gal liquid. Using Cal Hypo shock (65% strength), 4 one lb bags to 10,000 gal to get 30 ppm, or 5 one lb bags to get 40 ppm
2. To Raise TA by 10 ppm, add 15 lbs sodium bicarb per 10,000 gal
3. To Lower TA by 10 ppm, add 21 oz liquid acid per 10,000 gal
4. One 7 oz, 90% chlorine tab provides almost 5 ppm free chlorine per 10,000 gal, One 7 oz tab equals 50 oz regular liquid chlorine

BASIC ADJUSTMENTS



**Salt Chlorine Systems
Common Replacement Cells**



Auto Pilot, AutoTrex/Super Cells

13083	50-36	12-7
13086	50-48	12-13
13087	50-60	12-12
624733	942-3MF	12-3



Hayward Salt & Swim

CALL	6LX-DW-12	12-Month
CALL	6LX-DW-6	6-Month



Hayward Aqua Logic, Aqua Mate, Aqua Treat & Gold-Line

REEM385624	JEL-3	12K 3-YEAR
REEM340088	JEL-9	24K 3-YEAR
REEM340135	JEL-15	48K 3-YEAR



Flexair IntelliChlor

621181	3A2724	K20
621184	3A2723	K40



Zodiac Clearwater C-Series

626262	W153841	C140 ELECTRODE
626257	W153851	C160 ELECTRODE (2-REQ.)
13082	W153831	C170 ELECTRODE
13083	W153861	C200 ELECTRODE
13084	W153871	C230 ELECTRODE



Zodiac Clearwater LM-2

Housing Sold Separately

13017	W202030	LM-2 13 Cell Only
13018	W202031	LM-2 24 Cell Only
13019	W202071	LM-2 40 Cell Only



Zodiac Clearwater LM-3

Housing Sold Separately

15560	W196566	LM-3 15 Cell Only
15561	W196586	LM-3 24 Cell Only
15562	W196606	LM-3 40 Cell Only



Zodiac Jandy AquaPure

3-Port Cells: Cell Only (includes: Cell, O-Ring & Cord)

617800	RD452300	APURE 700 Cell & Cord
617802	RD452400	APURE 1400 Cell & Cord
<i>3-Port Cell With 2" Unions Replacement for Older Units</i>		
624610	RD475300	APURE700 3-PORT 2" UNIONS
624640	RD475400	APURE1400 3-PORT 2" UNIONS

Part#	Sku	Description
Common Replacement Parts		
GLX-RR-1	E21050	Rectifier Upgrade
GLX-FLO-RP	E24025	Flow Switch (15' cable, no feet)
GLX-FLO-RP-25	E24024	Flow Switch (25' cable, no feet)
GLX-FLO-T	E23868	Tee for Flow Switch
GLX-N-MTR	E24026	Transformer
GLX-R-10PK	E24022	Rectifier (10 pack)
GLX-F20-10PK	E21041	Fuse Kit (20A (10 pack) (for AquaLogic/Trol before 11/04)
GLX-F20A-10PK	E23051	Fuse Kit (20A (10 pack) (all AquaLogic/Blue/Trol after 11/04)
GLX-FBA-10PK	E23952	Fuse Kit (3A (10 pack) (AquaLogic only)
GLX-FUSE-20	E23884	Fuse Holder (1) (fuse holder and wires for Blue/Trol before 11/04)
GLX-FS-12-KIT	E23925	Temperature Sensor with 12' leads and hose comp.
GLX-RT-EXTEND	CALL	AQUA-BASE-RT extension 50'
GLX-RT-FLY	E23975	Flay, 3' x 0'
GLX-PWR-2	CALL	Power Supply, wall plugs, for wireless remote
GLX-GVA-20AM	E23821	Grip for GVA Valve Actuator (Set of 2)
GLX-GVA-4SKR	E23833	Screws (4) for mounting GVA 24 Valve Actuator
GLX-FLO	E23910	Flow Switch (15' cable with feet)
GLX-FLO-25	CALL	Flow Switch (25' cable with feet)
GLX-TL-OUTLET-20	CALL	120V/15 amp Twist Lock Pump Outlet
GLX-OUT-FT-15A	CALL	120V/15 amp Pump Outlet
GLX-ELC-KIT	CALL	Chlorinator Back up, line voltage
GLX-POD-CHGR	CALL	Battery Charger for AquaPod
GLX-CELLS-510	E23009	Stand for Cell Tester
GLX-CELL-TESTER	E23335	Tester for all TurboCell Electrolytic Cells
GLX-SS-RT	CALL	Wireless Spaside Remote Control
Salt Chlorinator Cells For: AquaBlue, AquaPlus, ProLogic & AquaLogic Systems		
GLX-CELL-3-W	CALL	TurboCell, 15K gallons, 1 year warranty
GLX-CELL-5-W	CALL	TurboCell, 20K gallons, 1 year warranty
GLX-CELL-9-W	CALL	TurboCell, 25K gallons, 1 year warranty
GLX-CELL-15-W	CALL	TurboCell, 40K gallons, 1 year warranty
GLX-CELL-PIPE	CALL	Straight Pipe Flange/holder for TurboCell
GLX-CELL-JUNCTION	E23500	2" Cell Union Kit (1" each of male, tee-piece, O-Ring)
GLX-CELL-3	E24075	TurboCell, 20K gallons, 3 year warranty
GLX-CELL-15	E2601	TurboCell, 40K gallons, 3 year warranty
GLX-CELL-15-25	E24092	TurboCell, 40K gallons, 3 year warranty, 25 ft. cord
GLX-CELLSTAND	E2508	Cleaning Stand for TurboCells
GLX-UNION-O-RING	CALL	TurboCell Union O-Ring (pack of 12)
Accessories		
GLX-SALTMETER	E24025	Salt Meter, handheld, 6 ght)
GLX-CAL-SOL	E2282	Calibration solution for Salt Meter, 3200ppm
Generic	E2508	Cleaning Stand, for all TurboCells (GLX-CELLSTAND)
AquaLogic Controls		
GLX-PCR-MAIN	E24053	Main PCB, AquaLogic
GLX-PCR-EXP	E24054	PCR, Expansion Unit for PS-15
GLX-LOCAL-7-4	E24045	Display, Local, 7-4
GLX-LOCAL-PS-4	E24070	Display, Local, PS-4
GLX-LOCAL-PS-8	E24075	Display, Local, PS-8
GLX-LOCAL-PS-16	E24074	Display, Local, PS-16
GLX-WIRELESS	E1705	Wireless Remote for AquaLogic
AquaPlus Controls		
GLX-PCR-APC	CALL	Main PCB, AquaPlus
GLX-LOCAL-APC-7-4	CALL	Display, Local, AquaPlus
E-Command		
GLX-PCR-E-2	CALL	Main PCB, E-Command
GLX-PCR-E-4	CALL	Main PCB, E-Command 4
GLX-LOCAL-E-7-4	CALL	Display, Local, E-Command
GLX-LOCAL-E-4	E24045	Display, Local, E-Command 4
GLX-RF-3B	CALL	3 Button Remote Control



salt Chlorinator Cell



AquaLogic System

Part#	Sku	Description
AquaRite		
GLX-CTL-BITE	624853	Control Unit, AquaRite
GLX-PCB-BITE	624851	Main PCB, AquaRite
GLX-PCB-DSP	624811	Display PCB, AquaRite
AquaRite Pro		
GLX-CTL-AR-PRO	CALL	Control Unit, AquaRite Pro
GLX-PCB-AR-PRO	CALL	Main PCB, AquaRite Pro
GLX-AR-PRO-MEM	CALL	Display, Membrane Key Pad, Steel Front
AquaTrol		
GLX-CTL-TB-HP	624887	Control Unit, AquaTrol - HP, straight back
GLX-CTL-TB-HP-T	624888	Control Unit, AquaTrol - HP, twist back
GLX-CTL-TB-RI	624889	Control Unit, AquaTrol - RI, straight back
GLX-CTL-TB-RI-T	624890	Control Unit, AquaTrol - RI, twist back
GLX-IL-ELB-KW	623853	Fitting, Behm Jet
GLX-TBCL-TIMEH	631496	24 Hour Timeclock
GLX-PCB-TBCL-RI	CALL	Main PCB, AquaTrol RI
GLX-PCB-TBCL-HP	CALL	Main PCB, AquaTrol HP
GLX-CELL-3	624873	TurboCell, 20K gallons
OnCommand		
GLX-PCB-ONCOM	CALL	Main PCB, OnCommand
GLX-LOC-ONCOM	CALL	Display, Local, OnCommand
GLX-DOOR-ONCOM	CALL	Enclosure Door, OnCommand
AquaConnect		
GLX-HIDMEMET	CALL	Replacement Wireless Mini-server, Home Network
GLX-HIDMEMET-PS	CALL	Replacement Power Supply for AQ-CC-HIDMEMET
Sense & Dispose		
GLX-PROBE-ORP	CALL	Probe, ORP Replacement
GLX-PROBE-PH	CALL	Probe, pH Replacement
GLX-SD-ELEC-MOD	CALL	Sense and Dispose Electronics
GLX-SD-FLOW SM	CALL	Flow Cell, Sense and Dispose
GLX-WINTER-KIT	CALL	Kit-Replacement, Winterizing
GLX-SP-LPSTUNE	CALL	Tube, Low Pressure, 83
GLX-SP-LVTUNE	CALL	Tube, LV
GLX-SP-STRAINER	CALL	Strainer
GLX-SP-CHKV	CALL	Check Valve
GLX-SP-FLO	CALL	Flow Indicator
GLX-SP-DB	CALL	Duck Bill (2 pack)
GLX-SP-ROLLER	CALL	Roller Assembly
GLX-SADDLE	CALL	Saddle Clamp
GLX-SP-PUMP-120	CALL	120V Peristaltic Pump
GLX-SP-PUMP-240	CALL	240V Peristaltic Pump
Salt & Swim		
SAS-CELL	801194	Salt & Swim 3C Replacement Cell
GLX-CTL-SW	CALL	Salt & Swim 3C Control Box
GLX-DW-Cord	CALL	Salt & Swim 3C Replacement Power Cord
GLX-DW-Cable	CALL	Salt & Swim 3C Replacement Cell Cable
GLX-DW-Door	CALL	Salt & Swim 3C Replacement Door
GLX-DW-VESSEL	CALL	Salt & Swim 3C Replacement Vessel
GLX-DW-RING1	CALL	1.5" Ring, Collar and Nut Set
GLX-DW-RING2	CALL	2" Ring, Collar and Nut Set
GLX-DW-CLIP	CALL	Cell Cleaning Clip
GLX-DW-ORING	CALL	O-Ring for Salt Cell
GLX-DW-UNION	CALL	Salt & Swim 3C Pro Union Kit



Aqua Rite & Turbo Salt Cell System

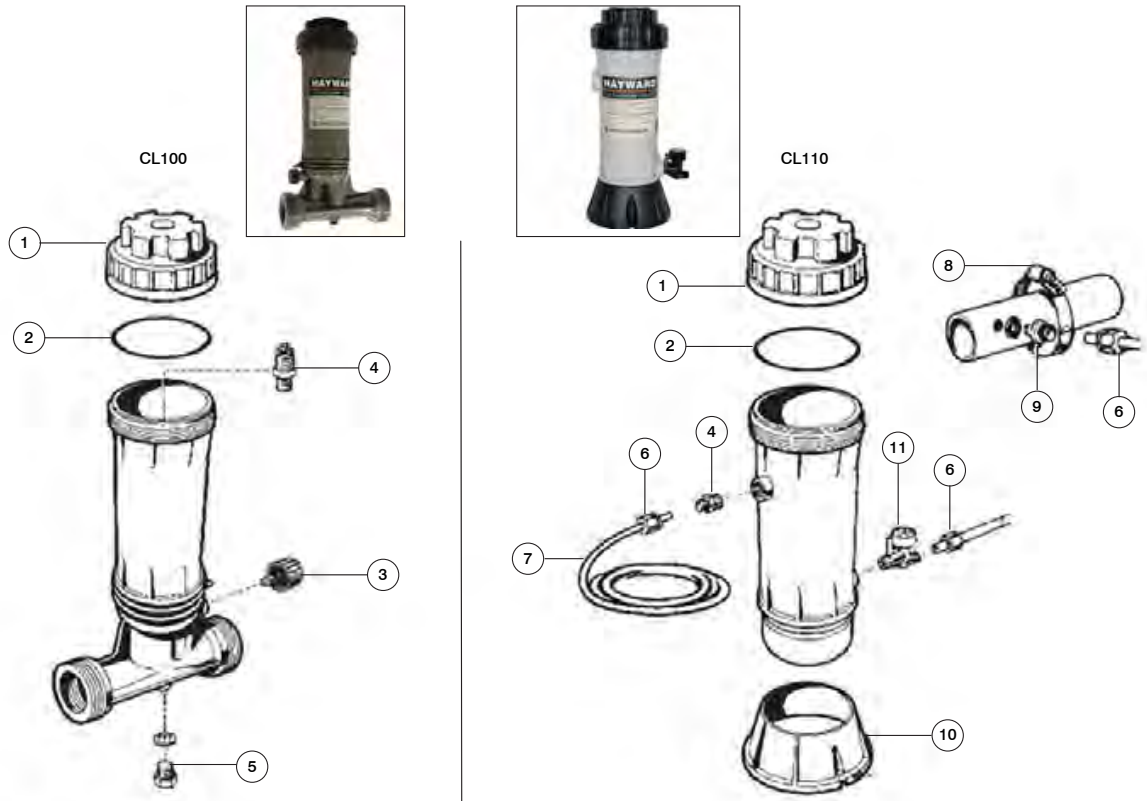


OnCommand Controller



Salt & Swim System

CL100 In-Line/ CL110 Off-Line Replacement Parts



Key	Horizon #	Description	Manf. #	LPM#
1	_CLX110C2	CL110Br Cover	CLX110C2	16500
1	43-150-1000	Lid, Hayward Chlorinator CL110	CLX110C	16336
2	Discontinued	O-Ring, Hayward Chlorinator CL110, Cover, Viton	CLX110K	424694
2	90-423-5341V	O-Ring, Viton, 3-1/2" ID, 3/16" Cross Section, Generic		16499
3	43-150-1008	Control Knob Assembly, Hayward Chlorinator CL110	CLX110FA	16503
4	43-150-1072	Check Valve/Inlet Adapter, Hayward Chlorinator CL200/CL220	CLX220EA	232404
5	43-150-1068	Drain Plug, Hayward Chlorinator CL200/CL220, with Gasket	SPX1700FGV	306428
6	43-150-1082	Compression Nut, Hayward Chlorinator CL200/CL220 Quantity 4	CLX220HPAK4	408402
6	89-555-1525	Compression Nut, Ferrule, Generic, 5/16" Tube, Plastic, Sgl		
7	_CLX220J25	Tubing - 5/16 In X 25 Ft	CLX220J25	
7	43-150-1080	Plastic Tubing, StaRite, Hayward Chlorinator CL200/CL220, 8ft	CLX220J	16349
8	43-150-1078	Stainless Clamp, Hayward Chlorinator CL200/CL220, 2"OD	CLX220K	611733
9	43-150-1076	Saddle Fitting, Hayward Chlorinator CL200/CL220	CLX220G	16516
10	Discontinued	Mounting Base, Hayward Chlorinator CL110	CLX110B	
11	43-150-1004	Dial Control Valve, Hayward Chlorinator CL110	CLX110DA	16501

Complete Feeders

42-150-1000	Off-Line Chlorinator, Hayward	CL110	624143
42-150-1004	Complete Chlorinator, Hayward CL100, 1-1/2" Fpt	CL100	624141

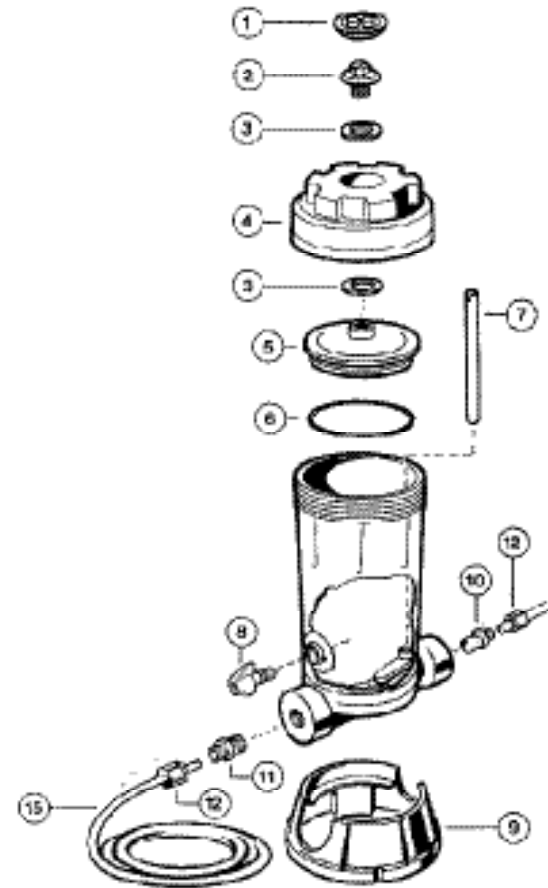
Key	Part#	Sku	Description
-----	-------	-----	-------------

CL220 Off-Line & CL200 In-Line Chlorinators (Right)

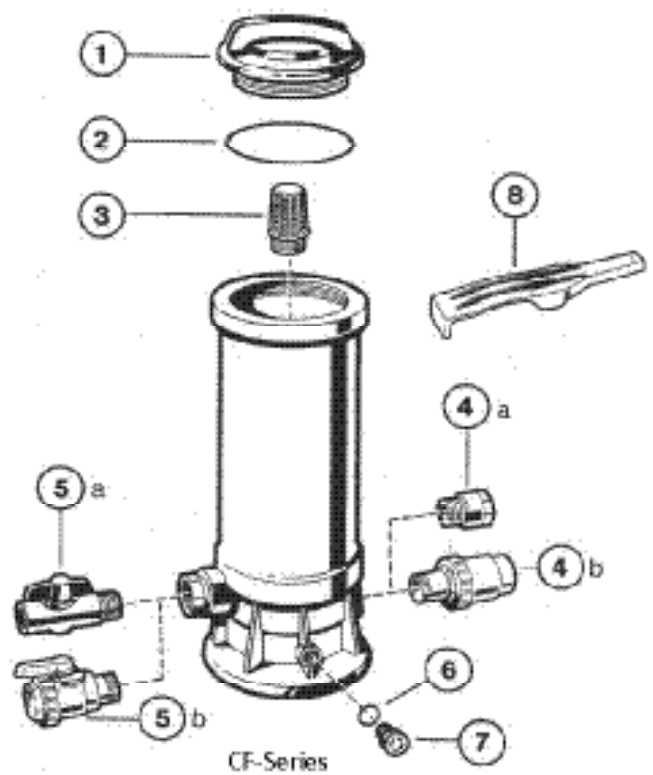
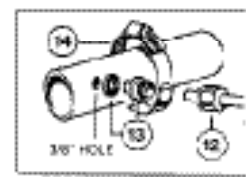
1-3	CLX200GA	16347	Cover Screw Kit w/Washer
4-6	CLX200CA	611791	Cover Cap Kit w/O-Ring
4	CLX200C	16338	Cover Cap
5	CLX200B	16337	Cover
6	O-231V	16345	O-Ring, Cover, Viton (CLX200K)
7	CLX200H	16506	Feed Tube
8	CLX200PA	16341	Control Knob Assy.
9	CLX220B	16507	Base CL220
10-11	16342	16342	Check Valve & Inlet Fitting Kit (CLX220EA)
12-14	16346	16346	Saddle Fitting Tubing Kit (CLX220GA)
12	CLX220H	16505	Compression Nut
13	CLX220P	16334	Adapter Fitting 1/4"
14	CLX220K	611733	Saddle Clamp
15	CLX220I	16349	Tubing 8FT
16a	SP1500UNMPAK1	16343	Union End Connector, Each
16b	SP1500UNPAK2	40031	Union End Connector, 2-pk
16c	SPX1480BTC	611790	Union w/ 1/4" Tap
17	16504	16504	Drain Plug, 1/4" (SPX1700FG)

C250-1800CF Large Chemical Feeders (Below)

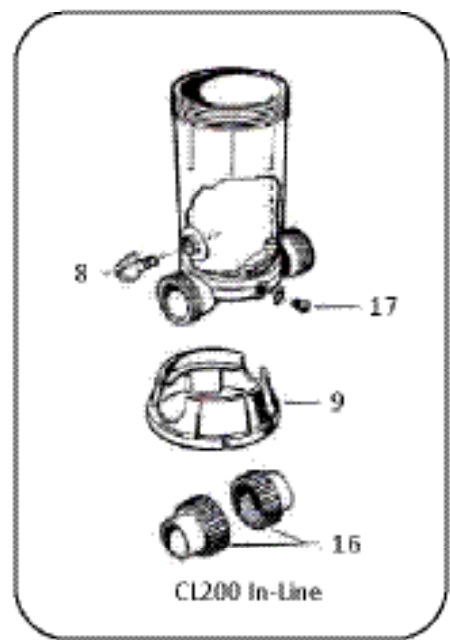
1	SPX3100D	40545	Cover
2	O-12V	66260	O-Ring, Viton (SPX3000SV)
3	CX500J	16509	Strainer
4a	CX500CV	16513	Check Valve, 3/4"
4b	CX1100CV	16514	Check Valve, 1-1/2"
5a	CX500BV	16511	Valve Control, 3/4"
5b	CX1100BV	16512	Valve Control, 1-1/2"
6	SPX605Z2V	66261	O-Ring, Drain Plug
7	CK250Z14	16399	Drain Plug, 1/2"
8	SP1900T	40955	Lid Wrench



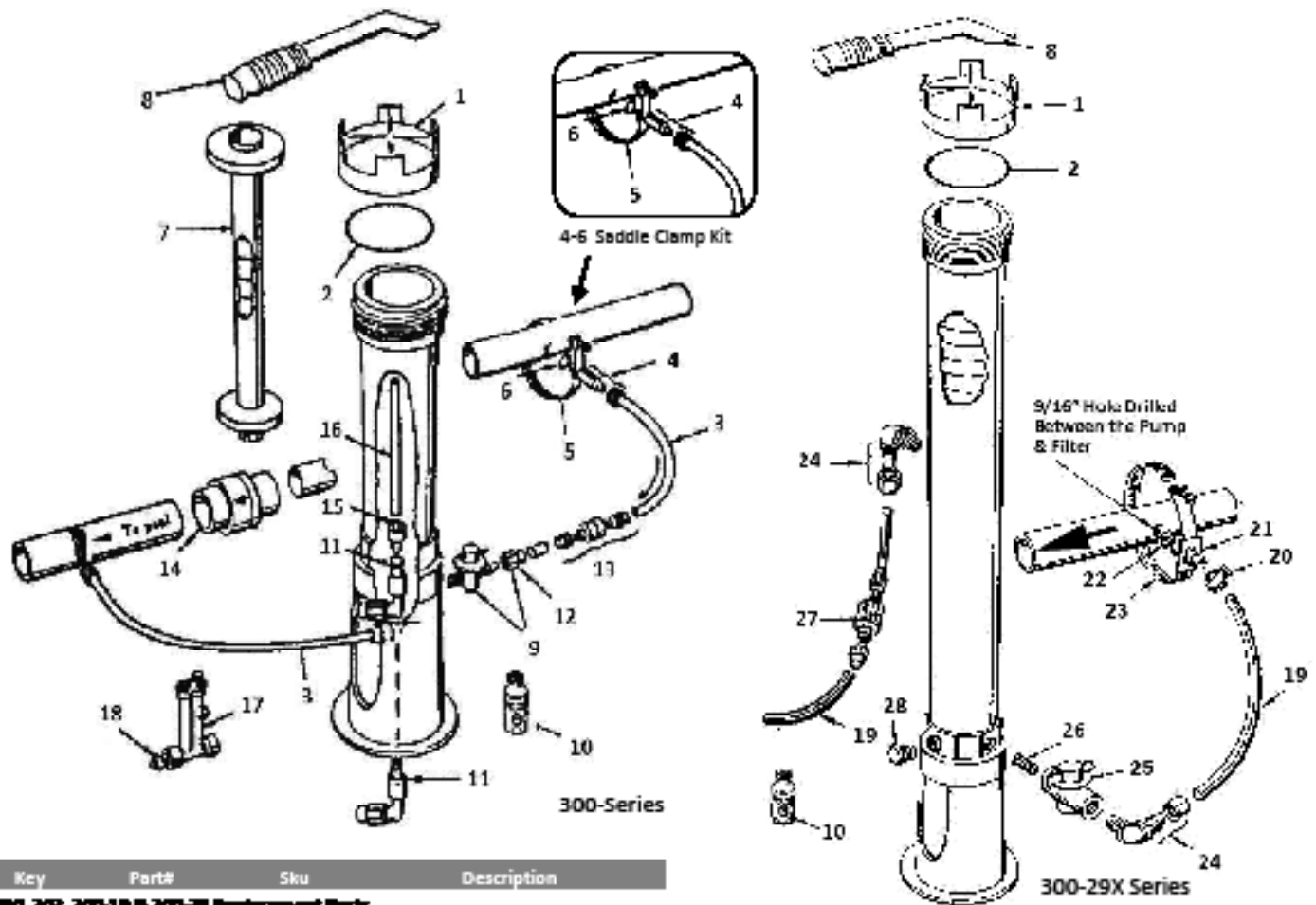
CL220 Off-Line



CF-Series



CL200 In-Line



Key	Part#	SKU	Description
-----	-------	-----	-------------

300, 302, 300-19 & 300-29 Replacement Parts

Key	Part#	SKU	Description
1	R172009W	36370	Cap, White
2	O-203	66362	O-Ring, Cap (R172009)
3	R172032	36330	Tubing, 8ft x 1/4"
4-6	200013	36413	Saddle Clamp Kit
4	R172032	611779	Tube Fitting w/Camp. Mat
5	R172034	611791	Saddle Clamp
6	R172033	36326	Gasket, Tube Fitting
7	R172037	36387	Spa Chamber (for 302-Series)
8	R172032	36428	Wrench, List
9	R172060	36390	Control Valve, 1/4" w/Nut
10a	68926	68926	Leslie's Lube 3.3 oz
10b	R172036	611790	Silicone Lube 1 oz
11	R172061	36400	Elbow w/Check Valve
12	R18706	36410	Compression Mat Ex. (Only)
13	R172031	36329	Check Valve, 1/4"
14	R172208	36389	Check Valve, 1-1/2 to 2"
15	R172061B	611713	Standpipe Adapt., Bronze
16	R18761	611714	Standpipe, 6"
17	R172080	35342	Flow Indicator w/Check Valve
18	R172020	36394	Check Valve (Old Style)

Parts Kit: 300-Series

R172064	611727	Parts Bag, Includes:
2x Tube Fittings (R172032)	1x Control Valve (R172060)	
2x Gaskets, Fitting (R172033)	1x Silicone Lube (R172036)	
2x Saddle Clamps (R172034)	1x Elbow Check Valve (R172061)	

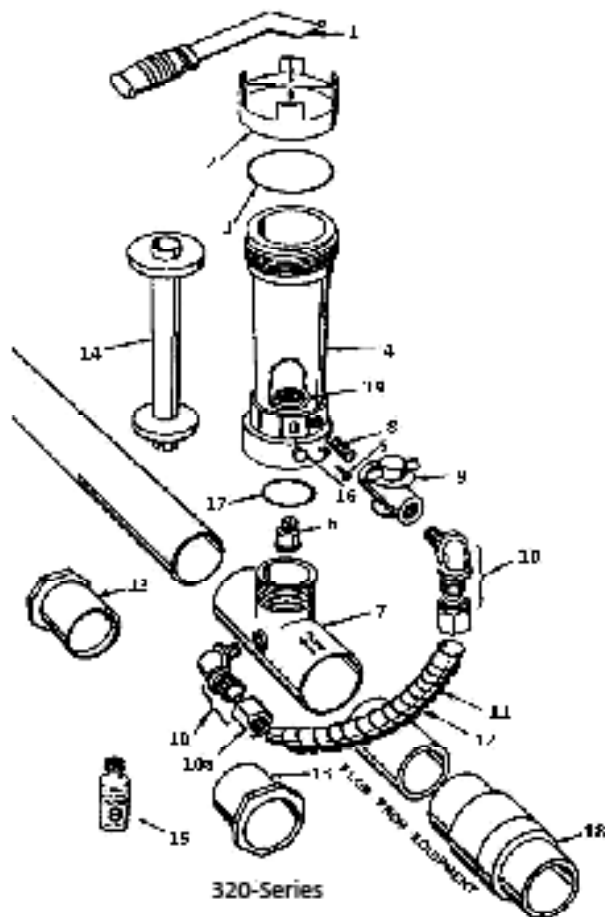
Key	Part#	SKU	Description
-----	-------	-----	-------------

Commercial Size 300-29X Replacement Parts

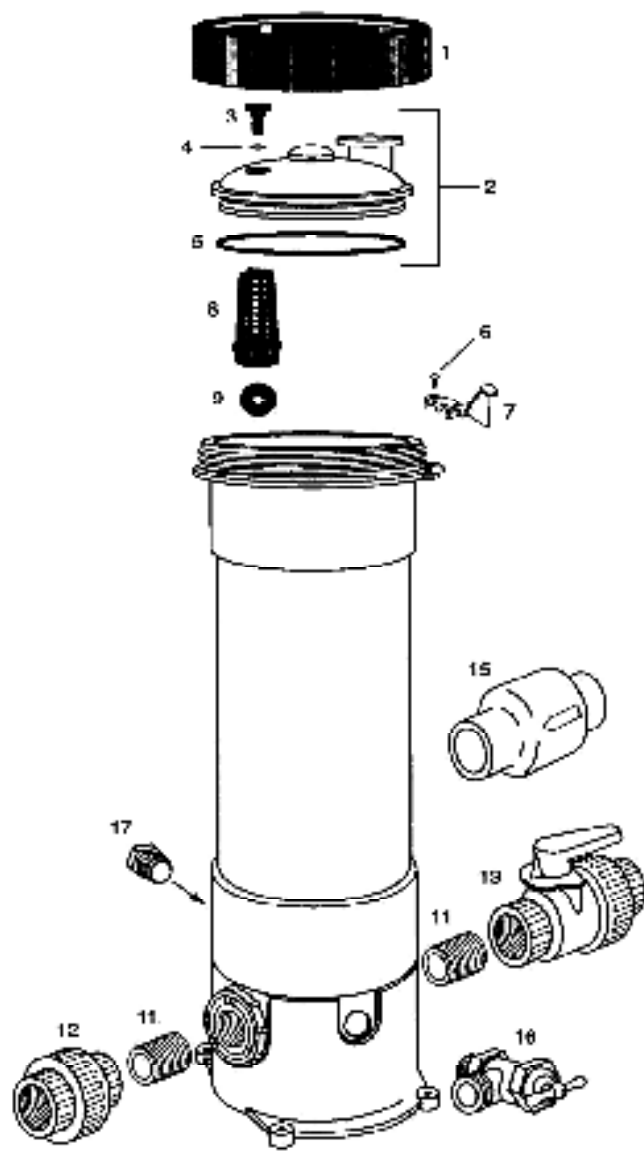
1	R172009W	16370	Cap, White
2	O-203	66362	O-Ring, Cap (R172009)
8	R172032	16420	Wrench, List
10a	68926	68926	Leslie's Lube 3.3 oz
10b	R172036	611790	Silicone Lube 1 oz
19	R172020	16438	Tubing 1.8ft x 1/2"
20	R173013	16371	Tube Clamp
21	R172262	16372	Saddle Fitting
22	R172263	16373	Gasket, Saddle Fitting
23a	R172264	16374	Saddle Clamp, 1-1/2" to 2" Pipe
23b	R17226400	16375	Saddle Clamp, 3-6" Pipe
24	R172272	16411	Elbow Tube Fitting, 1/2" w/Nut
24a	R172274	16383	Compression Nut, 1/2"
25	R172086	16391	Control Valve, 1/2"
26	R172236	16434	Adapter, 1/2" Nipple
27	R172086G	16376	Check Valve, 1/2"
28	R172134	16377	PVC Plug 1/2" MPT

Parts Kit: 300-29X

R172275	16378	Parts Bag, Includes:
2x Saddle Fitting (R172262)	1x Nipples 1/2" MPT (R172256)	
2x Gasket, Fitting (R172263)	1x Control Valves 1/2" (R172086)	
2x Saddle Clamp (R172264)	1x Elbow Fitting (R172272)	
2x Tube Clamp (R173013)	1x Silicone Lube (R172036)	



320-Series



High Capacity

Key	Part#	Sku	Description
-----	-------	-----	-------------

320-322 Series In-Line Replacement Parts

1	RL72032	36428	Wrench, Cap
2	RL72039	36378	Cap
3	O-303	65363	O-Ring, Cap (RL72039)
4	RL72021	36397	Body Only
5	RL6302	36380	Lock Screw
6a	RL72248	36381	Check Valve (320-Series)
6b	RL72331	611788	Check Valve Flow Reg. (322-Series)
7	RL72317	36382	Diverter Tee, 1-1/2" x 2"
8	RL72236	36434	Adapter, 1/2" Nipple
9	RL72086	36391	Control Valve, 1/2"
10	RL72272	36433	Elbow Tube Fitting, 1/2"
10a	RL72274	36383	Compression Nut, 1/2"
11a	RL72091	36384	Feed Tube, Short
11b	RL72233	36439	Top Foot Tube (Optional)
12	RL71097	36385	Spring, Feed Tube
13	RL72218	36386	Reducer Bushing, 1-1/2" - 2"
14a	RL72037	36387	Spa Tube Clevis (320-Series)
14b	RL72238	611789	Chemical Chamber (322-Series)
15a	68926	68926	Leak's Lube 3.3 oz
15b	RL72036	611790	Silicone Lubricant 1 oz
16a	RL72134	36377	PVC Plug, 1/2" MPT (Top)
16b	RL72087	36384	PVC Plug, 1/4" MPT (Base)
17	RL72319	65368	O-Ring, Base
18	RL72388	36389	Check Valve, 1-1/2 to 2"
19a	RL72233	36388	Screen
19b	RL72048	612342	Adapter, Standpipe (for Bromine)

Key	Part#	Sku	Description
-----	-------	-----	-------------

High Capacity HC-3015-3340 Replacement Parts

1	RL72234	40413	Lock Ring
2	RL72330	611711	Lid Assy.
3	RL72240C	40216	Drain or Vent Valve
4	O-30	65230	O-Ring, Vent Valve (RL72223)
5	RL72240	60862	O-Ring, Lid
6	RL72373	608738	Lock Screw
7	RL72374	608889	Lock Spring
8	RL71231	611719	Screen
9	RL72433	611788	Ball, Check Valve
11	RL72434	611788	Nipple, 1"
12	RL72033	611787	Union, 1" Thd.
13	RL72439	611786	Control Valve
15	RL72288	16388	Check Valve, 1-1/2 to 2"
16	RL73009	611788	Ball Valve, 1/2" PVC
17	RL72134	16377	PVC Plug, 1/2" MPT
	RL72082	611784	Flow Indicator

Key	Part#	SKU	Description
-----	-------	-----	-------------

New Style: 2007 - Present

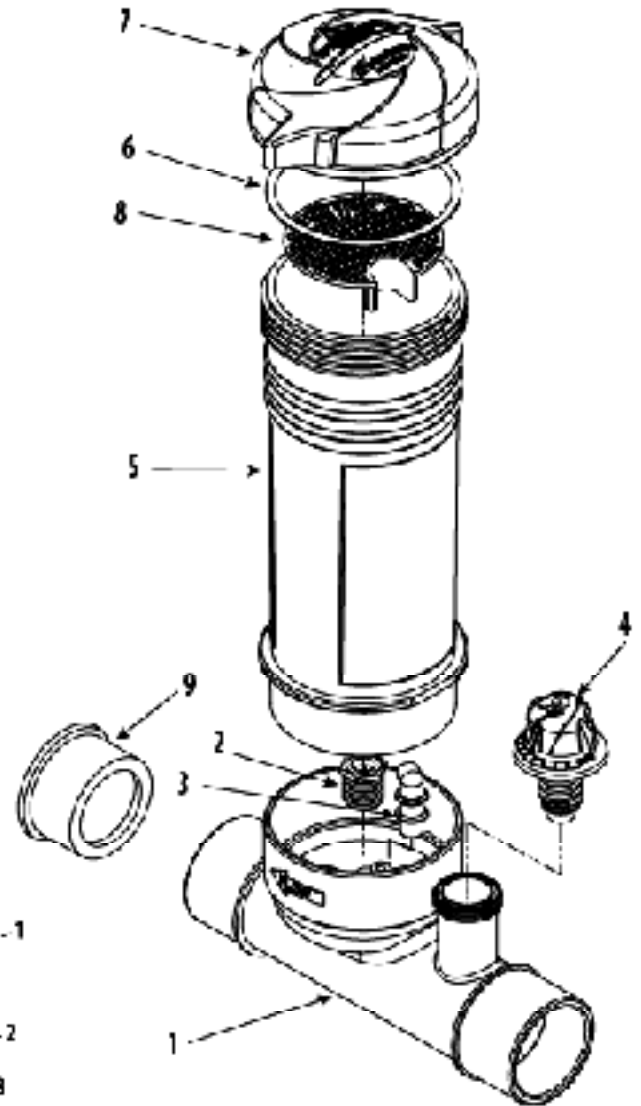
1	313-1210	CALL	Top Lower Body
2	600-1180	CALL	Check Valve Assembly
3	411-1170	CALL	90° Elbow - 1/4"
4	600-1267	CALL	Valve Stem Assembly
5	313-1170	CALL	Upper Body
6	800-8340V	621339	O-Ring - Lid
7	319-1167	CALL	Lid
8	319-8030	CALL	Filter Screen
9a	421-4070	63043	Reducer - 1 1/2" S x 2" Spigot
9b	413-4380	63038	Reducer - 1 1/2" FPT x 2" Spigot

Style: 2002-2007

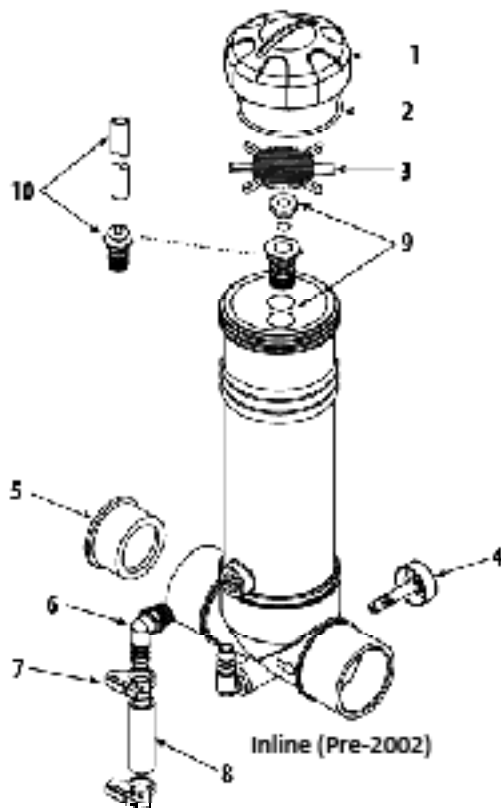
1	319-1167	CALL	Lid
2	800-8340V	621339	Lid O-Ring
3	319-8030	CALL	Filter Screen
4	411-1170	CALL	90° Elbow - 1/4" Pipe
5	600-1180	CALL	Check Valve Assembly
6	600-1180	621700	Stem Assembly with O-Ring

Style: Pre-2002

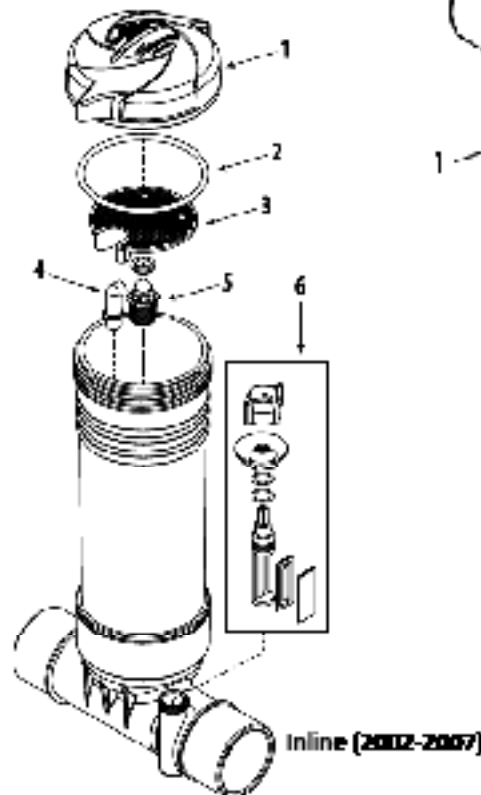
1	319-1181	634268	Lid
2	800-8340V	621339	O-Ring - Lid
3	319-8041	634274	Filter Screen
4	600-8021	634308	Valve Stem Assembly
5	421-4070	634261	Reducer - 1 1/2" Socket x 2" Spigot
6	400-8021	N/A	Discontinual - Elbow Assembly
7	872-2280	613684	1/2" Hose Clamp
8	319-7361	634273	3" Flex Hose
9	330-2120	N/A	Discontinual - Coupler Assembly
10	330-2130	634260	Bronze Compression Assembly for 1" Tubing



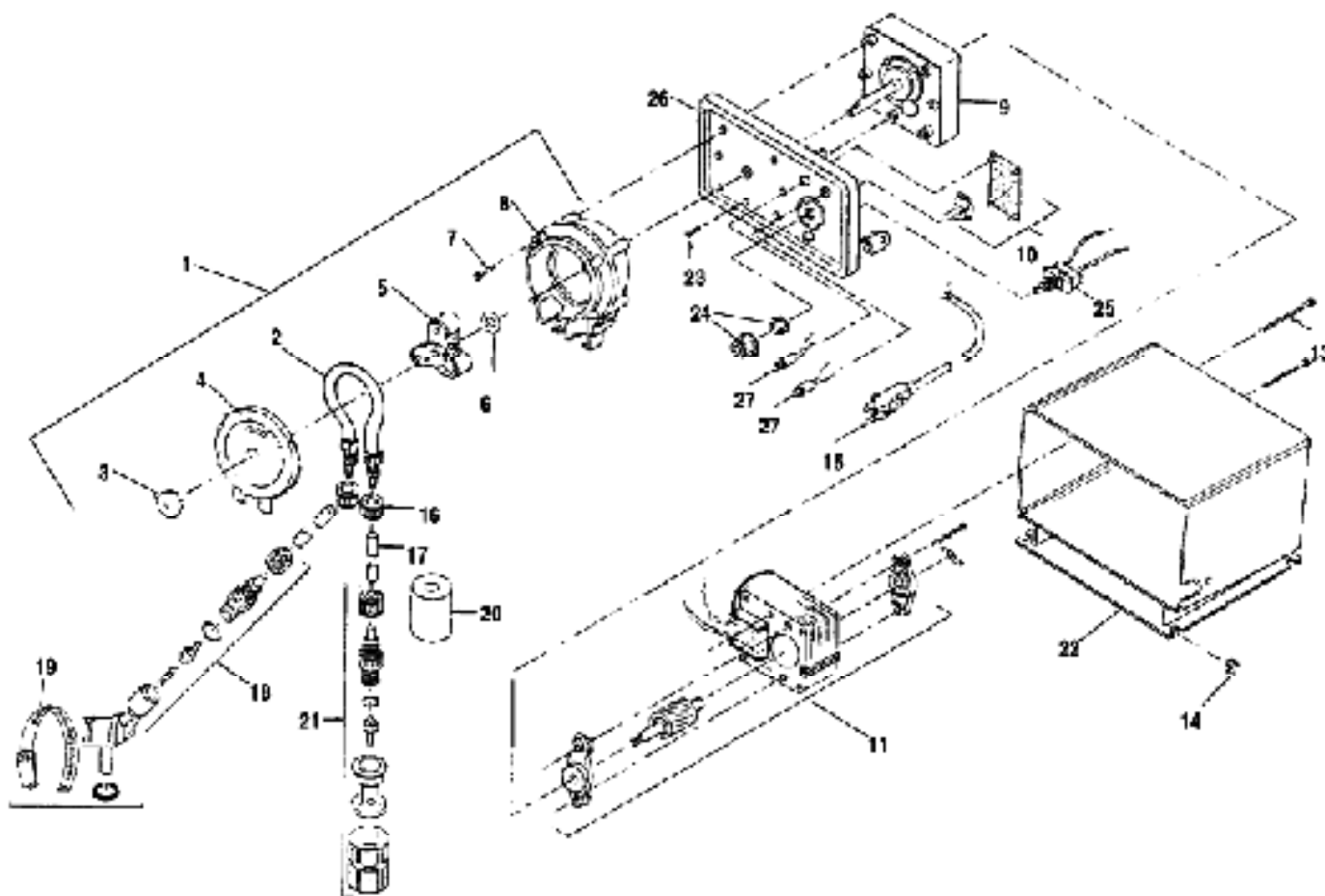
In-Line (2007-Current)



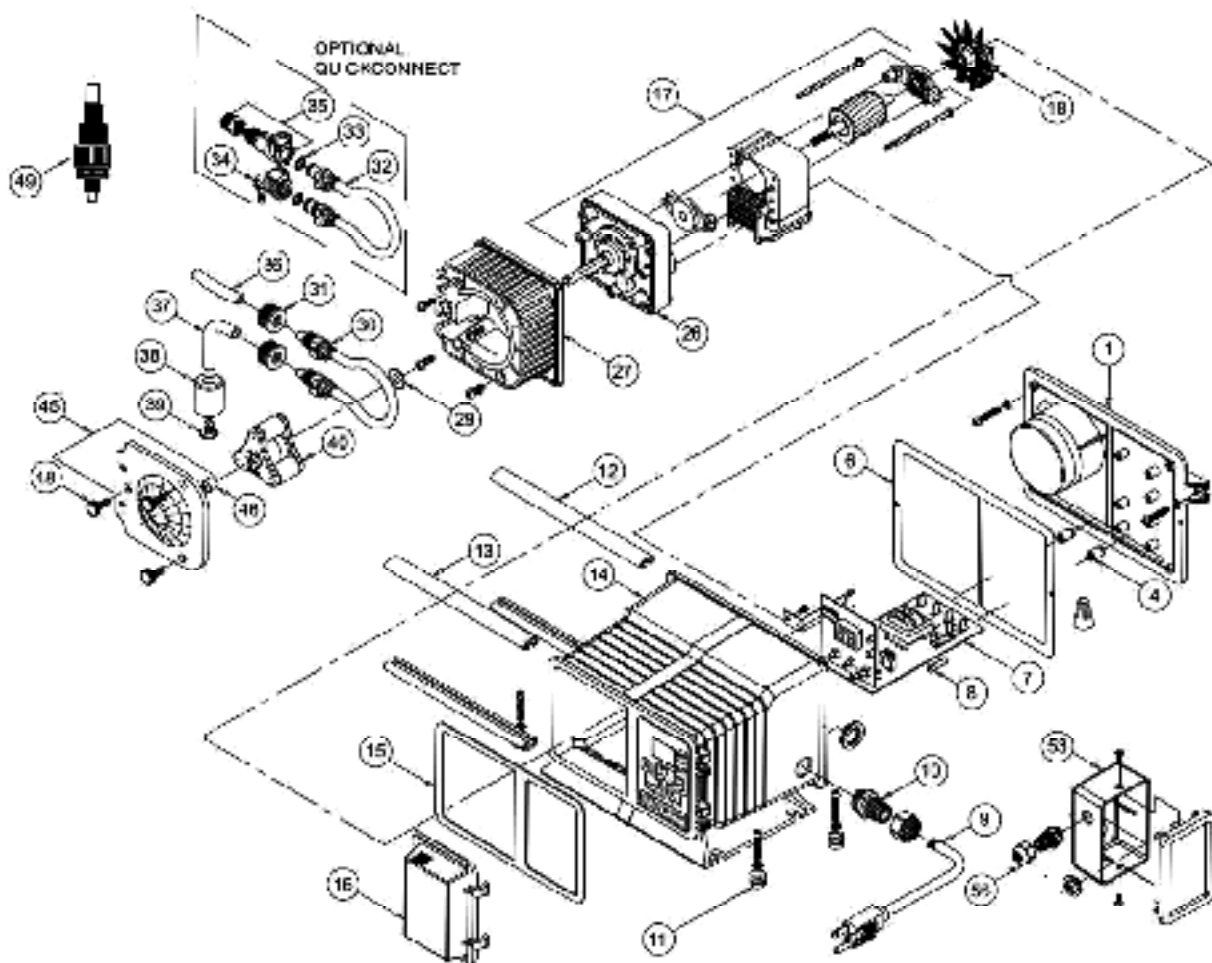
In-Line (Pre-2002)



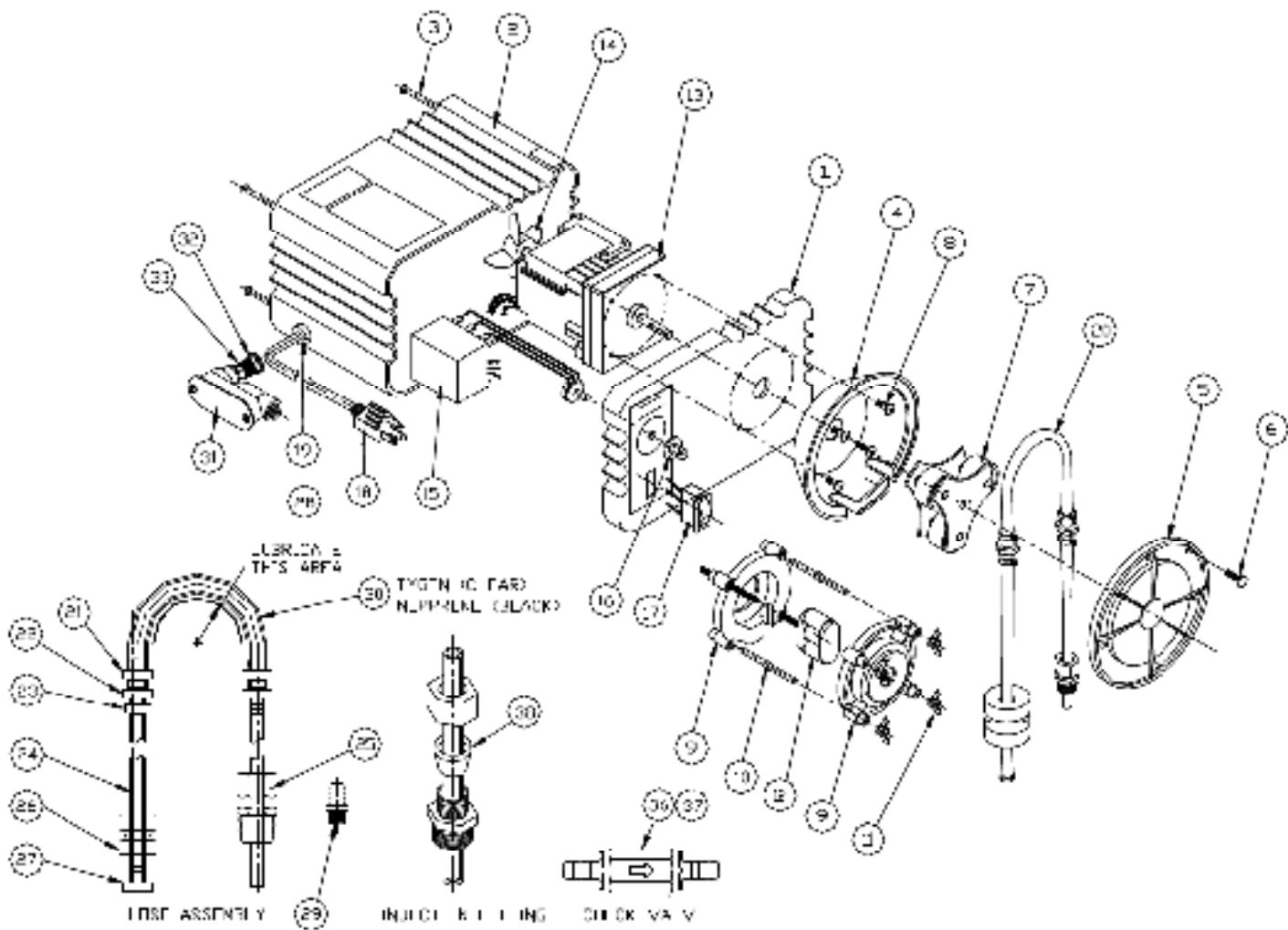
In-Line (2002-2007)



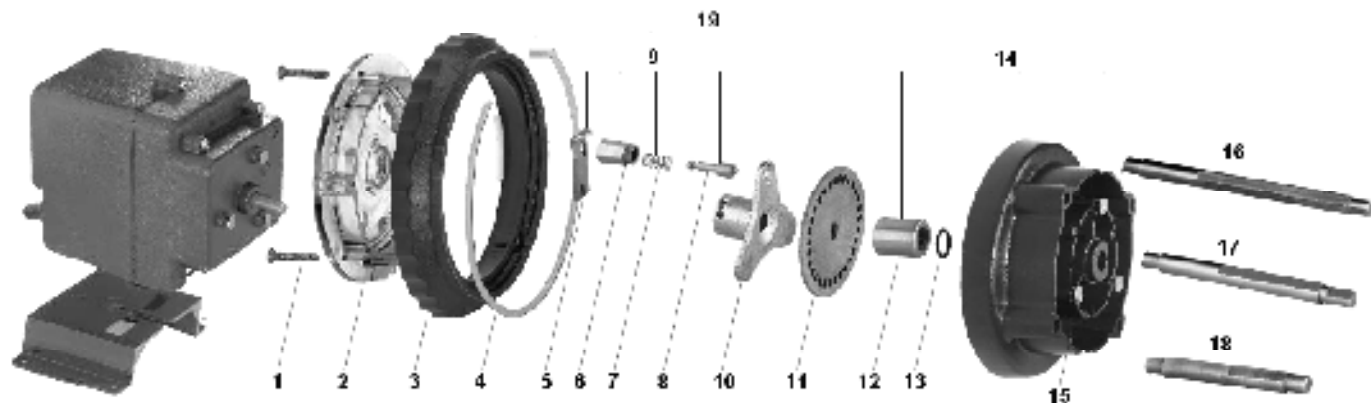
Key	Part#	SKU	Description	Key	Part#	SKU	Description
3-B	72001-067	620004	Pump Head (Less Tubing)	34	A-833	620061	Rubber Feet
2a	A-852-3M	620001	Tubing Assy, 3/16" OD Neoprene	15	C-1520A	620060	Power Card, 11.7V
2b	A-852-4M	620000	Tubing Assy, 1/4" OD Neoprene	16a	C-330-4	620009	Mat, 1/4" Tubing
2c	A-852-6M	61762	Tubing Assy, 3/8" OD Neoprene	16b	C-330-6	620008	Mat, 3/8" Tubing
2d	A-852-7M	620079	Tubing Assy, 7/16" OD Neoprene	17a	C-332-4-38	61760	Tubing 1/4" OD x 10ft PVC
2e	A-852-6	61763	Tubing Assy, 3/8" OD Vinyl	17b	C-334-6-38	620004	Tubing 3/8" OD x 10ft PVC
2f	A-852-4	620062	Tubing Assy, 1/4" OD Vinyl	17c	3-334-6-25	620003	Tubing, 3/8" OD Vinyl
3	A-811	620062	Knob, Head Cover	18a	T-140-4V	620007	1/4" Swivel Fitting Kit
4	A-801	620005	Head Cover	18b	T-140-6V	61660	3/8" Swivel Fitting Kit
5	A-833	620041	Triple Boiler Assy.	19	CF-3040	620016	Saddle Clamp, 1-2.3" Pipe
6	A-831	620013	Head Spacer	20	CF-346	620006	Weight, Ceramic
7	A-824	620004	Screw, 3/4" Head	21a	C-340-V	620003	1/4" Fast Valve
8	A-803	620003	Head	21b	C-340M-6V	61600	3/8" Fast Valve, Std
9a	A-800-1	620071	Gearbox Assy, 14 RPM	21c	C-340M-6E	606152	3/8" Fast Valve, EP Seal
9b	A-800-2	620070	Gearbox Assy, 30 RPM	22	A-10	620020	Cover, Motor Housing
9c	A-800-3	620069	Gearbox Assy, 43 RPM	23	A-806	620076	Screw, 1/2" Panel
10a	A-823-N-B	620067	1 Min Timer, 11.7V Electronic	24	A-832	620073	Knob, Timer
10b	A-823-N-F	620066	6 Sec Timer, 11.7V Electronic	25	A-822	620074	Power Switch
11a	A-149-1	620063	Motor, 14 RPM 11.7V	26	A-807-B	620073	Front Panel
11b	A-309-2	620064	Motor, 30-43 RPM 11.7V	27a	B-212-1	620072	Indicator Light
13	A-828	620062	Screw, 3" Housing	27b	FI-100-G-23	61760	Indicator, 3/8" Chem. Feed



Key	Part#	SKU	Description	Key	Part#	SKU	Description
1	71000-214	CALL	Back Plate w/Gasket	27	76001-000	636908	Pump Head
6	90000-360	CALL	Gasket, Mounting Plate	29	90011-014	CALL	Spacer, Motor
7	60010-211	CALL	Digital Timer, Programmable	30a	73000-137	636909	Pump Tube, 0.37" OD Barb
8	90010-223	CALL	Fuse, Timer	30b	73000-138	636910	Pump Tube, 0.27" OD Barb
9a	71000-173	CALL	Power Card, 11.7V Digital	31	90002-047	636911	Compression Nut
9b	71000-177	CALL	Power Card, 230V Digital	32a	73000-134	636912	Pump Tube, 0.27" OD Quick
9c	90010-110	600000	600000 Power Card, 11.7V Fixed	32b	73000-133	636913	Pump Tube, 0.37" OD Quick
9d	90010-133	CALL	Power Card, 230V Fixed	33	90000-000	636914	O-Ring, Quick Disconnect
10	70000-369	CALL	Brushing, Card	34	90000-200	636915	Adapter, Quick Disc 0.37 Inlet
11	90000-359	CALL	Mounting Feet, Rubber	35	90000-300	636916	Adapter, Quick Disc 0.37 Outlet
12	76001-000	CALL	Slide Clamp, Rear	36	76000-168	636917	Tubing, Outlet 0.37"OD x 3ft
13	76000-599	CALL	Slide Clamp, Front	37	90000-116	636920	Tubing, Inlet 0.37"OD x 3ft
14		CALL	Housing	38	90000-068	636919	Ceramic Weight
15	90000-379	CALL	Gasket, Front Panel	39	90002-200	636920	Strainer, Inlet Tubing
16	90002-091	CALL	Door, Controls	40	73000-129	636922	Roller Assy.
17a	70002-346	610200	Gear Involur, 14 RPM 11.7V	41	90002-120	636923	Roller, Rear Half
17b	70002-347	610201	Gear Involur, 30 RPM 11.7V	42	90002-120	636923	Roller, Front Half
17c	70002-130	610202	Gear Involur, 14 RPM 230V	43	73000-136	CALL	Cover, Pump-head
17d	70002-131	610203	Gear Involur, 30 RPM 230V	46	76001-000	CALL	Bearing Sleeve, Cover
18	90000-363	CALL	Motor Fan	48	90011-160	CALL	Screw, Pump-head Cover
26a	70000-074	610204	Gearbox, 14 RPM	49	70000-400	636024	Injection Valve Assy.
26b	70000-073	610205	Gearbox, 30 RPM	53	70000-626	CALL	Injection Box Complete
26c	70000-076	610206	Gearbox, 40 RPM	56	90007-313	CALL	Bushing, Junction Box
26d	70000-227	610207	Gearbox, 60 RPM				



Key	Part#	Sku	Description	Key	Part#	Sku	Description
1	52729	CALL	Enclosure Cover	17	524711	629632	3-Way Switch
2	527291	CALL	Enclosure Body	18	---	CALL	Power Card (Circuit Factory)
3	52529	CALL	Screw, 18-24 x 4-1/2"	19	524870	CALL	Green net
4	521752	CALL	Housing Body	20a	523232	617063	Hose Assy. 8" Complete
5	521731	CALL	Housing Cover	20b	523138	617066	Hose Assy. 13.5" Complete
6	523488	CALL	Lack Knob	21	523134	617064	Hose Clamp [96] Plastic
7	523488	CALL	Roller, (TM 3-Roller)	22	528011	617047	Fitting, Hose Conn. 3/8" Barb.
8	525293	CALL	Screw, 18-24 x 3/4"	23	528010	617062	Hose Clamp [96]
9	521221	CALL	Pump Housing	24	528010	617060	Vinyl Tubing, 0.31x0.44 x 66"
10	526804	CALL	Brass Stand 18-32	25	527136	629637	Injection Fitting, Brass
11	523148	CALL	Mat 30-32	26	523130	617062	Hose Weight 7/16"
12	523332	629629	Roller, 2" H-Block	27	528012	CALL	Retainer, Hose Weight
13a	521828	617621	Gear Motor, 18 120V	28	523102	629633	Lubricant 3g
13b	521829	617622	Gear Motor, 18 240V	29	528013	617012	Adapter 1/4 MPT x 3/8 Barb.
13c	521831	617623	Gear Motor, 48 120V	30a	523231	617042	Norprene Hose, 8"
13d	521836	617624	Gear Motor, 48 240V	30b	523134	617043	Norprene Hose, 13.5"
13e	521816	617625	Gear Motor, 168 120V	30c	523230	617041	Tygon Hose, 8"
13f	521817	629689	Gear Motor, 168 240V	30d	523115	617044	Tygon Hose, 13.5"
13g	524734	617626	Gear Motor, 368 120V	31	524115	CALL	Injection Box
13h	524733	CALL	Gear Motor, 368 240V	32	524135	CALL	Nut, 1/2"
14	---	CALL	Fan (See Gear Motors Above)	33	524130	CALL	Nipple 1/2 x 1"
15a	524717	629679	Timer Assy. 120V	36	521160	617061	PVC Check Valve 3/8" Barb.
15b	524718	629680	Timer Assy. 240V	37	521170	617060	PVC Check Valve 1/4 MPT x 3/8" Barb.
16	521174	629640	Timer Knob	38	524113	617063	Seal, Injection Fitting



Key Part#	Sku	Description	Key Part#	Sku	Description
Motors			Feeder Make Control Parts		
Motor 60Hz			1	FC5000A	606900 Screw, Mounting Plate
PM6041D	606170	For Adjustable Output 4.5 @ 180 Series 120V	2	FC6000	606131 Mounting Plate
PM6042D	606169	For Adjustable Output 4.5 @ 180 Series 220V	3	FC6004B	606133 Dial Ring
PM6061D	606168	For Adjustable Output 8.5 @ 170 Series 120V	4	UCFC3HD	606146 Variable Cam (2-pt)
PM6062D	606167	For Adjustable Output 8.5 @ 170 Series 220V	5	UCFC3L	606142 Index Pin Lifter (2-pt)
ME6041D	606166	For Fixed Output 4.5 Series 120V	6	FC6003	606130 Holder, Index Pin
ME6042D	606165	For Fixed Output 4.5 Series 220V	7	FC6001	606134 Spring, Index Pin
ME6061D	606164	For Fixed Output 8.5 Series 120V	8	FC6002	606136 Index Pin
ME6062D	606163	For Fixed Output 8.5 Series 220V	9	UCFC3W	606148 Index Pin Assy. (Incl. 3-6) Each
DM6041D	606162	For Fixed Output 100 Series 120V	10	FC6000	606137 Index Spitzer
DM6042D	606161	For Fixed Output 100 Series 220V	11	UCFC3D	606144 Index Plate (each)
DM6061D	606160	For Fixed Output 170 Series 120V	12	FC6000	606138 Roller Clutch
Quick Pro Pump Heads			13	FC6000	606136 O-Ring, 3/8"
Classic, SVP, BDF & MCL20			14	FC6002S	606140 Feeder Housing Kit
QPZ01-1	CALL	Single Pump Head #1	15	FC5000C	606130 Mounting Bracket C
QPZ02-1	CALL	Single Pump Head #2	16	DM6060D	606170 Main Shaft, Double Adj. Head
QPZ03-1	CALL	Single Pump Head #3	17	DM6060C	606149 Main Shaft, Dual Control Head
QPZ04-1	CALL	Single Pump Head #4	18	UCFC3AD	606152 Main Shaft, Single Head
QPZ05-1	CALL	Single Pump Head #5	19	FC6050Y	CALL Spitzer Assy. (Incl. 9-10)
Dual Pump Head			Head Parts		
Increase Head Only Each Head Sold Separately			20	QP400-1	CALL Tube Housing (Universal) w/Latches
QPAZ01-1	CALL	Inner Pump Head #1	20a	QP400-2	CALL Latches, 2-pt
QPAZ02-1	CALL	Inner Pump Head #2	21	UC6050D	606123 Roller Assy., Classic
QPAZ03-1	CALL	Inner Pump Head #3	22	QP300-1	CALL Roller Assy., Quick Pro
QPAZ04-1	CALL	Inner Pump Head #4	23	QP300-1	CALL Cover, Tube Housing (Universal) w/Bushings
QPAZ05-1	CALL	Inner Pump Head #5			



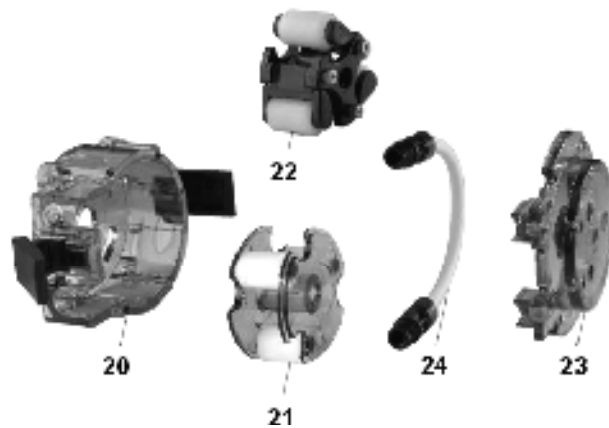
24- Pump Tubes

Standard Pump Tubes 2-pt with 1/8" Ferrules

UCCF201	606181	Pump Tube 2-pt #1
UCCF202	606209	Pump Tube 2-pt #2
UCCF203	606217	Pump Tube 2-pt #3
UCCF204	606200	Pump Tube 2-pt #4
UCCF205	606203	Pump Tube 2-pt #5
UCCF207	606201	Pump Tube 2-pt #7

Standard Pump Tubes 3-pt with 1/8" Ferrules

MCCF201	606180	Pump Tube 3-pt #1
MCCF202	606208	Pump Tube 3-pt #2
MCCF203	606216	Pump Tube 3-pt #3
MCCF204	606204	Pump Tube 3-pt #4
MCCF205	606202	Pump Tube 3-pt #5





617031
Globe Flow Cell with Flow-switch
#550180



Quick Connect Valve
617030 1/4" Tubing #550054
617010 3/8" Tubing #6389490



In-Line Filter Kit for Flow Cells
625677 1/4" Tubing #550390
617011 3/8" Tubing #550391



625651
Probe Replacement Fittings
#550089



120V Solenoid



In-Line Filter



Check Valve
625660

Solenoid Kit, 120V #550290
Includes Solenoid, In-Line Filter & Check Valve



625664 Check Valve #521160
3/8" Hose Barb x 3/8" Hose Barb



617012 Check Valve #521170
3/8" Hose Barb x 3/8" MPT



625657 Injector Adapter #521158
1/2" Brass Fitting



617012 Injection Adapter #520113
1/4" Plastic Fitting



617013
ORP Gold Tip Probe #550201
For Salt Water Pools



Black Tubing
625632 1/4" #550027
16330 3/8" #550194



Controller Probes (Heavy Duty)
625693 ORP Probe #550136
625696 PH Probe #550135



Tubing Connectors
625646 1/4" Tube to Pipe #550026
625651 3/8" Tube to Pipe #550089

Key Part#	Sku	Description
-----------	-----	-------------

Injection Check Valves

LIC08BU	608208	1/4" Check Valve, Duckbill & Ferrule (each)
MIC08BU	608207	3-pk 1/4" Check Valve, Duck Bill & Ferrule Kit
LIC08W	608204	3/8" Check Valve, Duckbill & Ferrule (each)
MIC08W	608203	3-pk 3/8" Check Valve, Duckbill & Ferrule Kit

Injector Parts

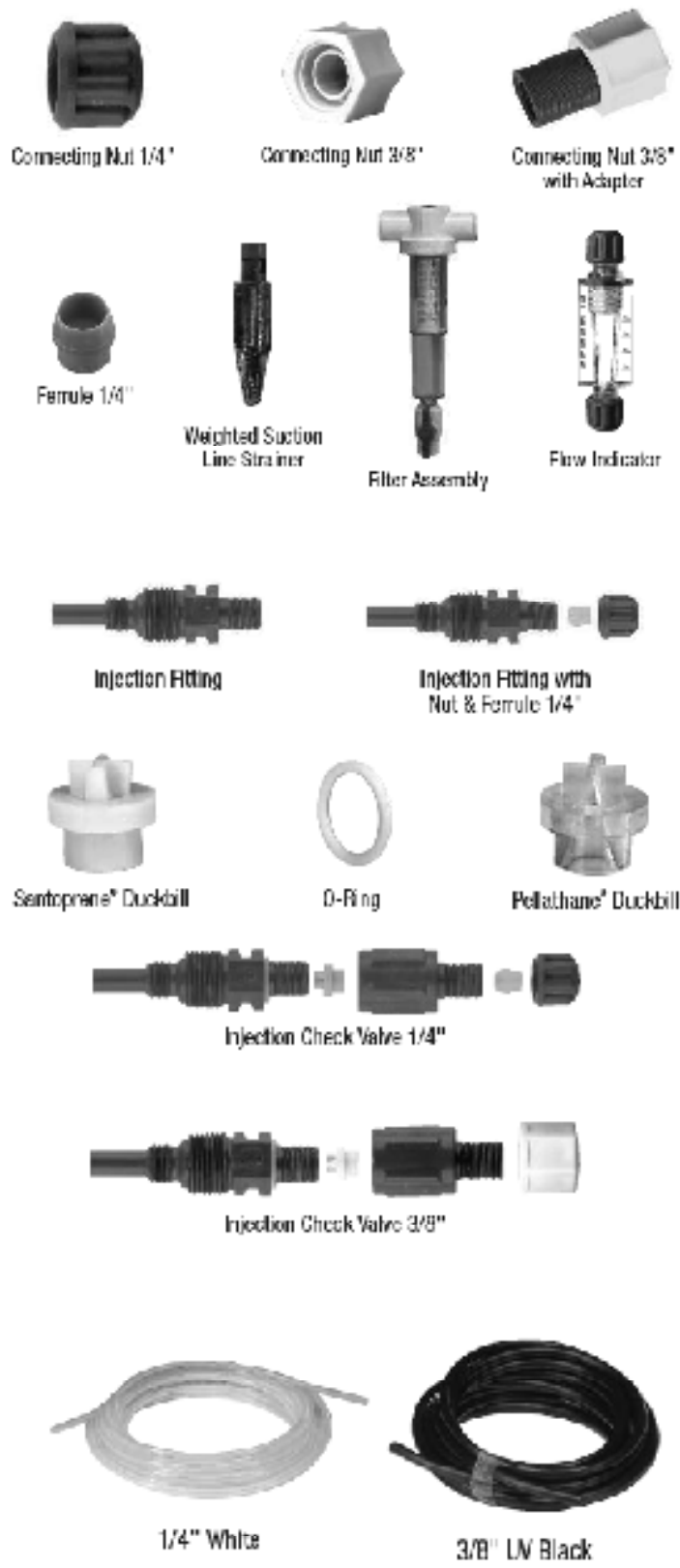
MCA300	621210	Injection Fitting with Nut & Ferrule 1/4" (each)
LCA300	608260	3-pk Injection Fitting with Nut & Ferrule 1/4" Kit
CV11/4	608273	Check Valve Injection Fitting 1/4" (each)
CV13/8	DALL	Check Valve Injection Fitting 3/8" (each)
LICV080	608262	Santoprene® Duckbill, 2-pk
MICV080	608261	Santoprene® Duckbill, 3-pk
CV10R	DALL	Santoprene® O-Ring (each)
LICTY082	DALL	Pellathane® Duckbill, 2-pk
MICTY083	DALL	Pellathane® Duckbill, 3-pk
TV10R	DALL	Pellathane® O-Ring (each)

Common Parts

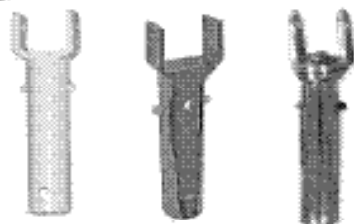
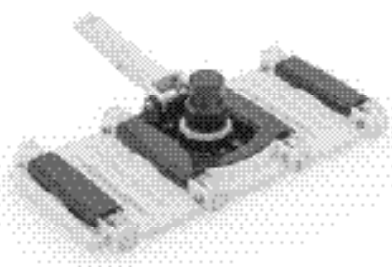
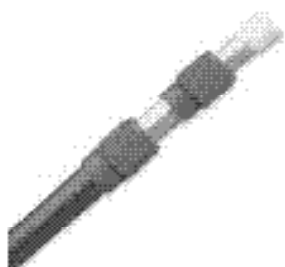
LCA3100	608271	Connecting Nut 1/4", 10-pk
MCA3100	608270	Connecting Nut 1/4", 24-pk
MAN1T00	DALL	Connecting Nut 3/8" (each)
LCA3PT8	608268	Connecting Nut 3/8" with Adpt. 2-pk
MCA3PT8	608272	Connecting Nut 3/8" with Adpt. 3-pk
LCA3200	608267	Ferrule 1/4", 10-pk
MCA3200	608266	Ferrule 1/4", 24-pk
ST114	621209	Section Line Strainer 1/4", Weighted
ST138	DALL	Section Line Strainer 3/8", Weighted
MAGCS0R	600704	AquaShield® Lake, 8 oz. Tube (each)
AI500	DALL	Flow Indicator 1/4" with Bracket
AI300	DALL	Flow Indicator 3/8" with Bracket
AI500	DALL	Bracket, Flow Indicator
F2000	DALL	In-Line Filter Assy.

Discharge/Section Hoses

AI6402B	608261	ROLL 1/4" x 25' LV Black
AI6402W	608260	ROLL 1/4" x 25' White
AI6403B	608263	ROLL 1/4" x 100' LV Black
AI6403W	608262	ROLL 1/4" x 100' White
AI6430B	608267	ROLL 1/4" x 1000' LV Black
AI6430W	608266	ROLL 1/4" x 1000' White
MAL702B	DALL	ROLL 3/8" x 25' LV Black
MAL702W	608265	ROLL 3/8" x 25' White
MAL703B	DALL	ROLL 3/8" x 100' LV Black
MAL703W	608264	ROLL 3/8" x 100' White
MAL705B	DALL	ROLL 3/8" x 1000' LV Black
MAL705W	608263	ROLL 3/8" x 1000' White



Cleaning Tool Parts



Vac Handle

- 20885 Plastic Handle w/Clip & Pin
- 611831 Chrome Handle
- 20979 Steel Swivel Handle
- 20978 Nut & Bolt (for Handle)



Snap Clips & Pins

- 20771 Clips, 3-pack
- 20896 Pin, for Vac Handle Each

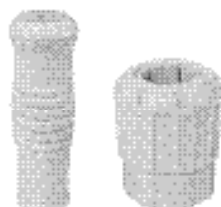


Vac Wheels

- 20640 Plastic Wheels, 4-pack
- 20996 Wheel w/Bearing Each
- 82712 Wheel, Polyurethane Each

Leaf Bagger Wheels

- 20956 Wheels 3-pack For Leaf Bagger



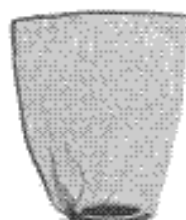
Telepole Parts

- 20790 Handle
- 20792 EZ Locking Cam



Vac Brushes

- 20884 3-Pack Brushes SPX1068G9



Leaf & Debris Bags

- 20116 Leaf Bag, Large
- 20118 AG Leaf Bag, Small
- 20110 Fine Mesh Bag, Large



Vac Hose Cuffs

- 22546 1-1/2" Standard
- 22549 1-1/2" Swivel
- 22543 1-1/4" AG Standard
- 22541 2" Commercial



Hose Adapters

- 68022 Hose Adapt. 1-1/2" to 1-1/4"
- 20792 Insert Hose Adapt. 1-1/2" Barb.



Hose Clamps

- 22102 Clamp 1" to 2-1/2" Stainless Steel



Elbow Hose Adapters

- 68177 Elbow Adapt. 1-1/2" to 1-1/4"
- 68078 Elbow Adapt. 1-1/2" Smooth



Hose Adapters & Menders

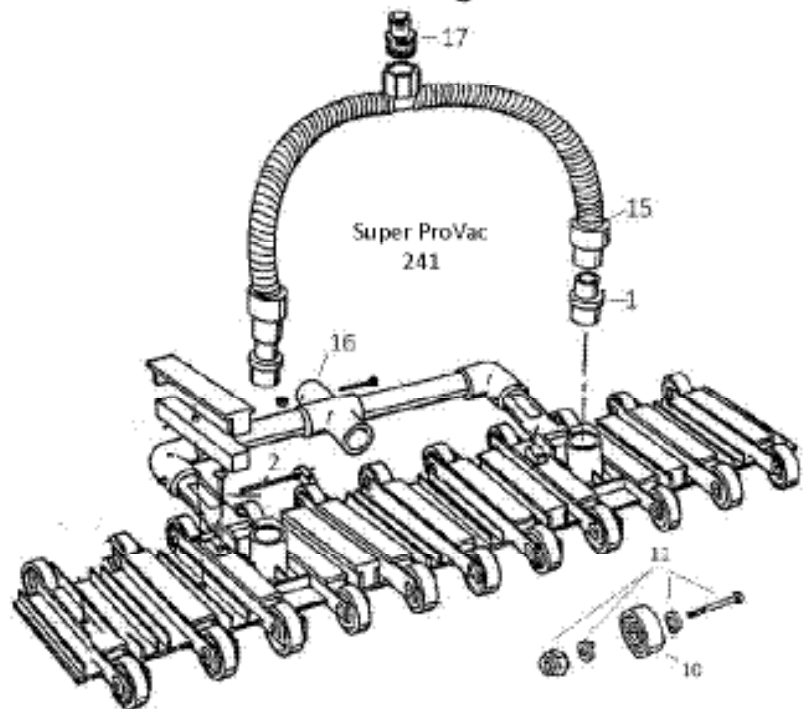
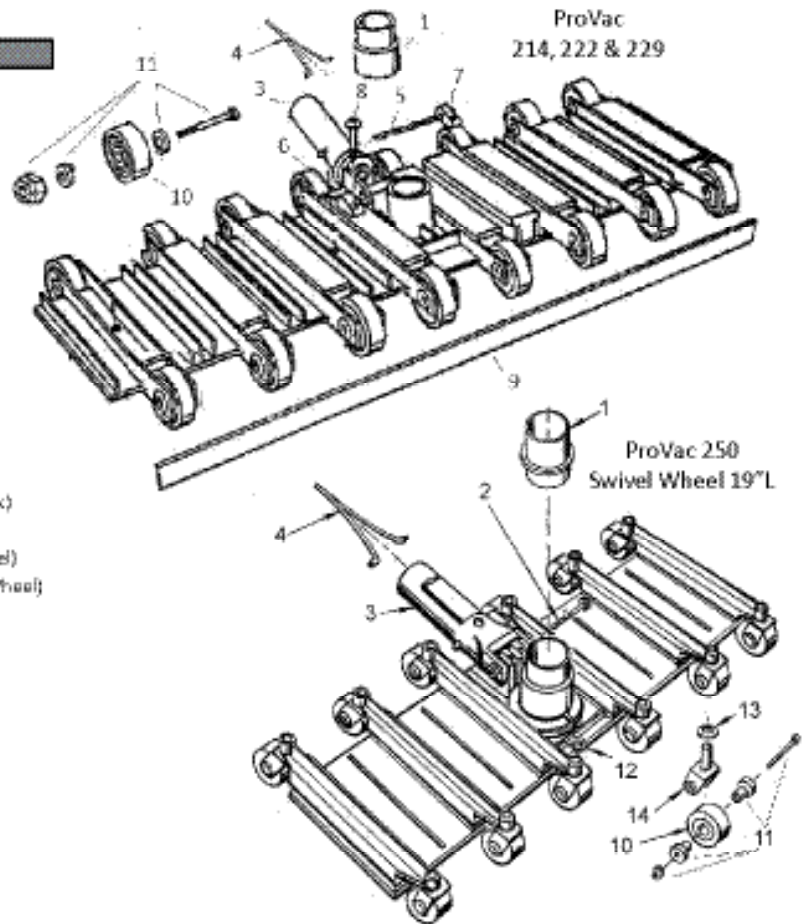
- 58893 Male Adapter (Inside)
- 58887 Female Adapter
- 22488 Hose Mender 1-1/2"



Vacuum Hoses

1-1/4" AG Vacuum Hoses		1-1/2" Vacuum Hoses		2" Vacuum Hoses	
SKU	Size	SKU	Size	SKU	Size
22462	18-ft.	22472	25-ft.	22482	50-ft.
22464	21-ft.	22474	35-ft.	22484	75-ft.
22466	27-ft.	22476	45-ft.	22488	100-ft.
22468	30-ft.	22478	50-ft.		
22470	36-ft.				

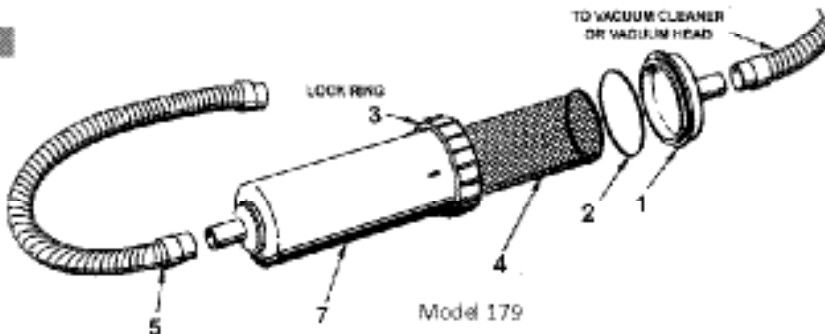
Key	Part#	Sku	Description
1	R201566	20977	Swivel Adapter, Hose
2	R201496	20978	Nut & Bolt (Stainless)
3a	R201476	20885	Vac Handle Kit (Plastic)
3b	R201408	20979	Swivel Vac Handle, Metal
3c	R201421	611831	Metal Handle
4	R22001	20771	Snap Clips (3-pk)
5	R03161	20980	Shaft, Steel Handle
6	R03087	20981	Left Shaft Retainer
7	R03086	20982	Right Shaft Retainer
8	R01023	20983	Screw, Shaft Retainer
9a	R201776	20993	Flex Strip, White 5ft
9b	R201778	20994	Flex Strip, Blue 5ft
10a	R201498	20940	Plastic Wheel Kit (4-pk)
10b	R201557	20996	Wheel ea., w/Ball Bearings
10c	R03022	82712	Wheel ea., Polyurethane
10d	R201588	611830	Swivel Wheel Kit, Plastic (4-pk)
11a	R201456	20997	Axle Assy. (Less Wheel)
11b	R201470	611832	Axle Assy. For 209 (Less Wheel)
11c	R201686	82709	Axle Assy., For Swivel (Less Wheel)
12	R03058	82689	Retainer Clip, Swivel Axle
13	R201626	611893	Washer, Wheel Height Adj.
14	R03026	611832	Swivel Castor For 250
15	R201756	82688	Manifold Assy. For 241
16	R201788	611829	Handle T Assy.
17a	R03120	68129	Insert Adapter, 2"
17b	R03121	22473	Insert Adapter, 1-1/2"



Leaf Canisters
Pentair Rainbow & Kreepy Krauly

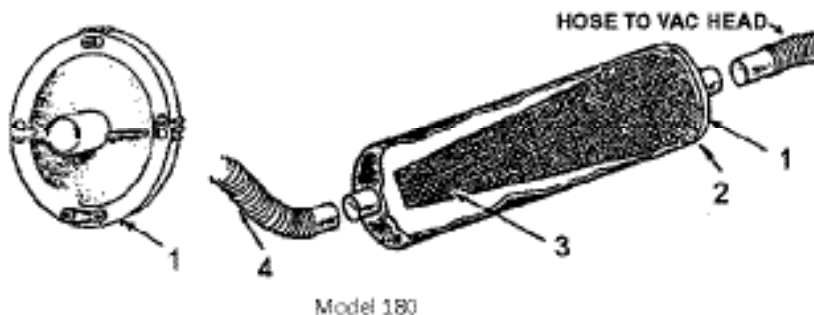
Pentair Leaf Traps Model 179 & 179C

Key	Part#	Qty	Description
1	R211506	611884	Lid
2	O-990	66220	O-Ring, Lid (R172223)
3	R172214	44415	Lock Ring
4a	R211516	20112	Mesh Bag
4b	R211518	611816	Sand/Silt Bag
4c	B-204	605701	Basket, Metal (R211526)
5	R211256	613532	VacHose 3-ft.



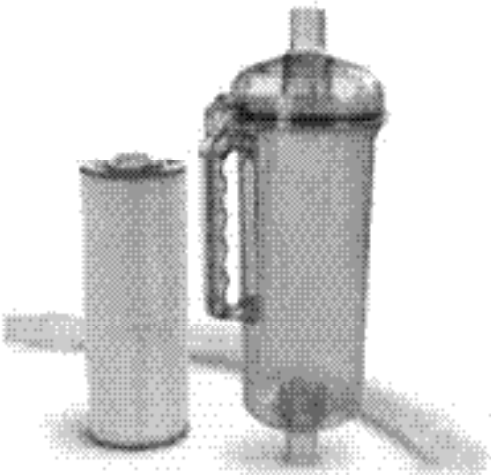
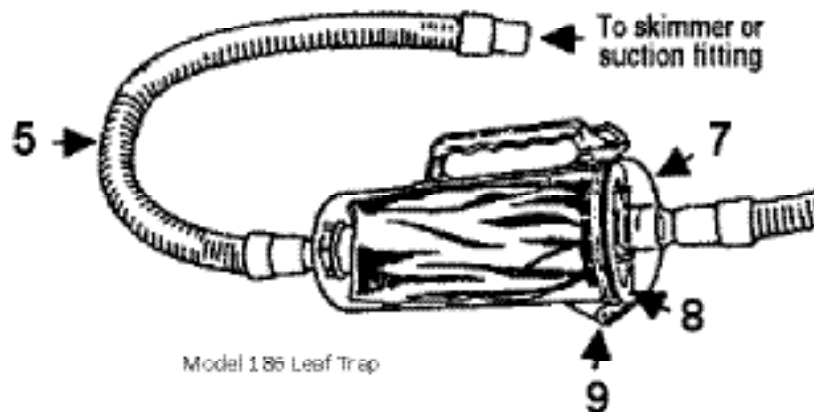
Pentair Leaf Trap Model 180

Key	Part#	Qty	Description
	R211016	20435	Canistar w/Hose
1	R211206	20430	Lid
2	O-108	66380	O-Ring, Lid (R18608)
3a	R211216	20113	Mesh Bag
3b	R211226	611883	Canvas Bag
3c	B-201	20440	Basket, Metal (R211346)
4	R211256	613532	VacHose 3-ft.

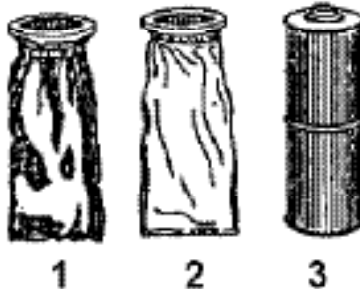


Pentair Kreepy Krauly Leaf Canister Model 186

Key	Part#	Qty	Description
	R211084	62634	Canistar 186-A
1	R211516	20112	Mesh Bag
2a	R211518	611816	Sand/Silt Bag
2b	R211526	605701	Basket, Metal
4a	PRB25-4N	46158	Cartridge, 25 SF (R172653)
4b	PRB50-4N	46159	Cartridge, 50 SF (R172654)
5a	62607	62607	APC Hose 4-ft. (Aqua) each
5b	R211256	613532	VacHose 1-1/2" 3-ft.
5c	R211260	613533	VacHose 2" x 3-ft.
7a	R18650	20431	Lid, 1-1/2" Port
7b	R18651	611815	Lid, 2" Port
B-13	R211600	613432	Latch Kit (Items #8-13)
8	R172223	66220	O-Ring, Lid
9	R18654	611814	Pin, Handle
10	R18648	20432	Latch, Handle
11	R18655	611813	Latch Spring
12	R18656	611812	Latch Retainer
13	801045	608844	Screw, Latch



Latch Kit (#11-13)

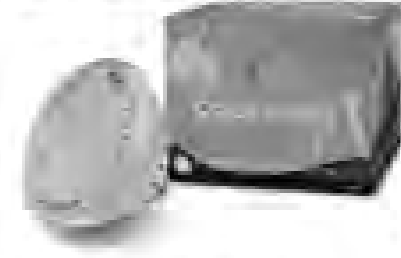


Pool & Spa Light Bulbs
Replacement Guide



8" Dia. (R40)		3-1/4" Dia. (G20)		8-3/4" (R30)		3-1/2" (R30)		2" (PAR38)		Capsule Halogen		MR16 Capsule		Halogen Mini-Car		Threaded Base		Bayonet Base		Halogen Clip-In		
SKU	Description	SKU	Description	SKU	Description	SKU	Description	SKU	Description	SKU	Description	SKU	Description	SKU	Description	SKU	Description	SKU	Description	SKU	Description	
54050	12V 300W	54053	120V 400W	54086	PAR16 120V 60W	603037	MR050 12V 50W	54046	120V 100W Tri	610945	120V 300W (A-1.75" L)											
503044	120V 600W			603036	R20 12V 100W	603038	MR02100 12V 100W	54047	120V 250W Tri	54045	120V 500W (A-1.75" L)											
54054	120V 400W			54052	R30 12V 100W	603032	MR16 12V 75W	54042	120V 100W Bay	603044	120V 100W (S-1.75" L)											
54060	120V 600W					603030	MR16 12V 55W	54043	120V 100W Bay													

LED Replacement Light Bulbs



- Brightest Color Changing LED
- Screws into a Standard Socket
- 5x Brighter Than 2G
- Brighter Light Ideal for Larger Pools
- Works with All Types of Pool Fixtures
- 50,000 Hour Lamp Life

Color Splash 3G (Left)
Color LED Light Bulb
54070- 3G Pool 120V
54072- 3G Spa 120V
54074- 3G Pool 12V
54076- 3G Spa 12V

PureWhite2 (Lower Right)
White LED Light Bulb
Equivalent to 45W 400W Bulb
54082- PWR2 Pool 120V
54112- PWR2 Mini Spa 120V
54084- PWR2 Large Spa 120V
54080- PWR2 Pool 12V
54110- PWR2 Mini Spa 12V
54088- PWR2 Large Spa 12V

Color Splash 2G (Right)
Color LED Light Bulb
600818- 3G Pool 120V
600816- 3G Spa 120V
600819- 3G Pool 12V
600817- 3G Spa 12V

Silicone Lens Gaskets
Replacement Gaskets (Barnes)
64503- For Pennan Light
64504- For Hayward Lamp



Light Fixture Lens & Gaskets

Manufacturer	Brand	SKU	Description
Hayward	Acrylic	64510	Gasket, Lens
		54861	Light Lens, Clear
		54873	Lens Cover, Blue
		54871	Lens Cover Kit (4-color)
Pennan (American)	Acrylic	64500	Gasket, Lens
		54868	Light Lens, Clear
		54540	Wedge Bottom, Resin
		54872	Lens Cover, Blue
		54874	Lens Cover, Red
		54880	Lens Cover Kit (4-color)
Pennan (American)	Acrylic	64502	Gasket, Lens
		611148	Light Lens, Clear
		54876	Lens Cover, Blue
		54878	Lens Cover, Red
54-894	Swimcap	64553	Gasket, Lens
		54862	Light Lens, Clear



Pool & Spa Light Features
Replacement Parts Guide



Hayward Astoria II (Pool)



Hayward Duraclic



Hayward Elite (AG Pool)

SKU	Description	SKU	Description	SKU	Description
608376	Face Ring, Stainless Steel	626278	Face Ring, Smooth Plastic	613012	Light Lens
608377	Face Ring, Plastic	626211	Housing, Clamp w/Bolt & Nut	613013	Gasket, Lens
34340	Lock-screw Wedge, Face Ring	34451	Light Lens, 7-3/16" Dia.	626469	Lens Cover Kit (3-Colors)
608373	Lock-screw, Face Ring	64328	Gasket, Lens	613014	Light Bulb, 12V 300W MR16
608373	Clamp w/Bolt & Nut	34340	Lock-screw Wedge, Face Ring		
34463	Light Lens, 7-3/16" Dia.	34471	Lens Cover Kit (4-Colors)		
64328	Gasket, Lens	34473	Lens Cover, Blue		
34008	Light Bulb, 12V 300W MR16	34008	Light Bulb, 12V 300W MR16		
34003	Light Bulb, 120V 400W G40E	626204	Light Bulb, 120V 300W MR16		
608384	Light Bulb, 120V 300W MR16	34004	Light Bulb, 120V 400W MR16		
34004	Light Bulb, 120V 400W MR16	34062	Light Bulb, 120V 300W MR16		
34062	Light Bulb, 120V 300W MR16				
34471	Lens Cover Kit (4-Colors)				
34473	Lens Cover, Blue				



Fountain Aquasunstar (AG Pool)



Hayward Astoria II (Spa)



Fountain Aquasunstar

SKU	Description	SKU	Description	SKU	Description
622331	Lens Cover Kit (Blue & Green)	608370	Face Ring, Stainless Steel	626280	Face Ring, White (Aquasunstar II)
608342	Lens Cover, Red	608369	Light Lens, 3-3/8" dia.	626041	Face Ring, White (Aquasunstar II)
622283	Lens Cover, Blue	608603	Gasket, Lens	608013	Screw, Retaining
34049	Bulb Assy.	608368	Lock-screw, Face Ring	626281	Lens Replacement Kit (Aquasunstar II)
66630	O-Ring, Bulb Assy.	608367	Lens Cover Kit (Blue & Red)	626040	Light Lens 7-3/8" dia. (Aquasunstar II)
608360	Flare Director	608626	Light Bulb, 12V 100W R20	626282	Gasket, Lens
608369	Wall Fitting, Threaded	34066	Light Bulb, 120V 60W PAR16	622600	Bulb Kit, 12V 100W (Aquasunstar II)
608361	Fitting Body	608612	Light Bulb, 12V 70W MR16	608012	Sealing Screw (each) 32-required
608368	Nut, Fitting	34046	Light Bulb, 120V 100W Halogen	626468	Lens Cover Kit (4-Colors) (Aquasunstar II)
608641	Gasket, Liner (ex.)	34047	Light Bulb, 120V 230W Halogen	626283	Lens Cover, Blue (Aquasunstar II)
608347	Plug Cap (Red)			626287	Lens Cover, Red (Aquasunstar II)
34702	Fountain Attachment			608609	Light Bulb, 12V 100W T3 3-1/4" Tube
34700	Pool Cleaner Attachment			621582	Light Bulb, 120V 230W T3 3-1/16" Tube
608493	Fitting Attachment			612588	Light Bulb, 120V 230W T3 3-1/4" Tube



Partnr Assmblc



Partnr 5MM/5M Spectrum Assmblc



Partnr Aquatlight/Spectrite

SKU	Description
603332	Face Ring, Stainless Steel
603331	Wire Clamp Assy., Face Ring
613326	Face Ring Cover, Plastic White
613323	Face Ring Cover, Plastic Grey
613324	Face Ring Cover, Plastic Black
34340	Lock-screw Wedge, Face Rim
34680	Locking Screw w/Gasket
34413	Base Clip (each)
34333	Screw, Clip (each)
34464	Light Lens 8-3/8" dia.
64300	Gasket, Light Lens
64301	Silicone Gasket, Light Lens
34480	Lens Cover Kit (4-Colors)
34472	Lens Cover, Blue
34474	Lens Cover, Red
34032	Light Bulb, 12V 100W R30
34030	Light Bulb, 12V 300W R40
34033	Light Bulb, 120V 400W Clear Globe
603364	Light Bulb, 120V 300W R40
34034	Light Bulb, 120V 400W R40
34052	Light Bulb, 120V 300W R40

SKU	Description
Partnr 5MM Spectrum Assmblc	
613302	Face Ring, Stainless Steel
613306	Face Ring, Plastic White
613303	Face Ring, Plastic Grey
613304	Face Ring, Plastic Black
34680	Locking Screw w/Gasket
34340	Lock-screw Wedge, Face Rim
613301	Wire Clamp Assy.
613339	Light Lens
64300	Gasket, Lens
34683	Retaining Nut
Partnr 5M Spa Spectrum Aquatrite	
613308	Face Ring, Stainless Steel
613378	Lock-screw w/Gasket
613382	Wire Clamp Assy.
622476	Light Lens 4-1/16" dia.
64300	Gasket, Lens
622373	Light Bulb, EDW M88
622419	Light Bulb, EDW M811

SKU	Description
611098	Face Ring, Stainless Steel
34680	Locking Screw w/Gasket
34040	Lock-screw Wedge, Face Rim
611602	Wire Clamp Assy.
611348	Light Lens 4" dia.
64005	Gasket, Lens
603377	Silicone Gasket
34476	Lens Cover, Blue
34479	Lens Cover, Red
613388	Lens Cover Kit (4-Colors)
603632	Light Bulb, 12V 75W MR16
603626	Light Bulb, 12V 100W R20
34066	Light Bulb, 120V 60W PAR36
34046	Light Bulb, 120V 100W Halogen Thru
34047	Light Bulb, 120V 200W Halogen Thru
34042	Light Bulb, 120V 100W Halogen Bay
34043	Light Bulb, 120V 200W Halogen Bay



Star-Rite Swimming



Star-Rite Swimming



Star-Rite Swimming

SKU	Description
34482	Light Lens 7-1/4" dia.
64363	Gasket, Lens
34032	Light Bulb, 12V 100W R30
34030	Light Bulb, 12V 300W R40
603364	Light Bulb, 120V 300W R40
34034	Light Bulb, 120V 400W R40
34052	Light Bulb, 120V 300W R40

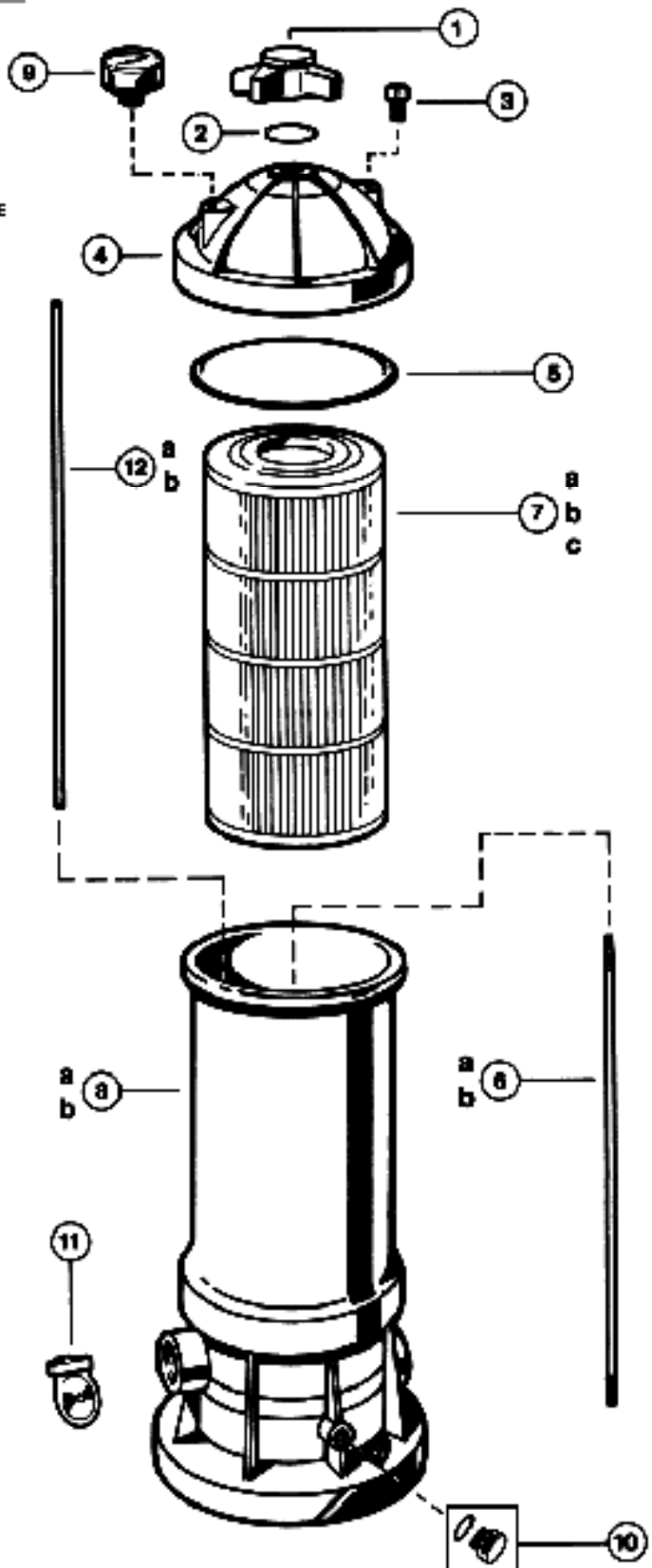
SKU	Description
603634	Lens Cover, Blue
603633	Lens Cover, Red
603617	Light Bulb 30W 12V Halogen
603616	Light Bulb 30W 12V Halogen
611963	Light Bulb 300W 120V Halogen
34043	Light Bulb 300W 120V Halogen
603623	Light Lens
622661	Gasket Repair Kit Includes Clamp
623817	Face Ring Kit w/Gasket & Clamp
603649	Retaining Screw

SKU	Description
603349	Lockscrew, Face Frame
603613	Light Lens, Clear
603704	Gasket, Lens
603620	Clamp, Fixture
34030	Light Bulb, 12V 300W Refl.
603364	Light Bulb, 120V 300W Refl.
34052	Light Bulb, 120V 300W Refl.

Hayward Cartridge Filters
Star-Clear II
C800, CL100 & CL500

Key	Part#	SKU	Description
1	D68005	44348	Locking Knob
2	D-82	66229	O-Ring, Knob (C829027)
3	ED00322A	44887	Air Release Valve
4	D6800C	44198	Tank Lid
5	D-365	64322	O-Ring, Lid (C8000F)
6a	D6800Z	628103	Tie Rod (C800)
6b	DCL100Z	628104	Tie Rod (CL100)
7a	PA80	46122	Cartridge Element (C800 & CL100 SM) C8000E
7b	PA100	46123	Cartridge Element (CL100) DCL1000E
—	DCL300C	44300	Cartridge Adapt. (CL100 SM)
7c	DCL3000	46712	Bag, Separation Tank
8a	D6800AA	CALL	Filter Tank Body - 1 1/2" (C800)
8b	DCL100AA	CALL	Filter Tank Body - 1 1/2" (CL100)
9	44011	44311	PSI Gauge (EC327000)
10	DCL3023AA	16333	Drain Plug w/O-Ring
11	D6800HA	628116	Check Valve (Optional)
12a	D680004	44891	Air Relief Tube (C800)
12b	DCL10004	44892	Air Relief Tube (CL100)

SMFor CL100 Use 2x C800 Cartridges.



Key	Part#	Sku	Description
1	EO0388V	44379	Air Release Valve
2	DE2420MAM2	44877	Manual Air Release Assy.
3	40011	44311	PSI Gauge (EO271281)
4	D-204 BT	65286	O-Ring RT, Air Valve (DE242028A)
5	EO0388W	63482	Mat, Air Valve
6a	DE2420B7C	44871	Tank Lid, 24SF
6b	DE3620B7C	44872	Tank Lid, 36SF
6c	DE4820B7C	613077	Tank Lid, 48SF
6d	DE6020B7C	44874	Tank Lid, 60SF
6e	DE7220B7C	44873	Tank Lid, 72SF
8	DE2421BOT	44878	Tank Clamp Assy. (2009-)
9	DE2421L2	44879	Mat & Bolt, Clamp (2009-)
11a	DE2422ZZ	44880	Metal Reinforced Seal (2009-)
11b	D-429	65289	O-ring, Tank (Pre-2009) DE2400K
12	EO0178B5	609164	Mat, 3/16" -32
13	EO01109	40223	Washer, 3/16"
14	DE2480C	44433	Top Mountball
15a	DE2480R	44640	Retaining Rod, 24SF
15b	DE3680R	44621	Retaining Rod, 36SF
15c	DE4880R	44642	Retaining Rod, 48SF
15d	DE6080R	44643	Retaining Rod, 60SF
15e	DE7280R	613100	Retaining Rod, 72SF
16	DE2480CK	44620	Flex Air Release Tube
17	D-424	65272	O-Ring, Outlet Elbow (DE248025)
18a	DE2480EA	613111	Outlet Elbow, 24SF
18b	DE3680EA	613112	Outlet Elbow, 36SF
18c	DE4880EA	613113	Outlet Elbow, 48SF
18d	DE6080EA	613119	Outlet Elbow, 60SF
18e	DE7280EA	613118	Outlet Elbow, 72SF
19a	FC920	46200	Full Grid, 24SF (7 Req.) DE2400DA
19b	FC930	46202	Full Grid, 36SF (7 Req.) DE3600DA
19c	FC940	46204	Full Grid, 48SF (7 Req.) DE4800DA
19d	FC950	46206	Full Grid, 60SF (7 Req.) DE6000DA
19e	FC960	46208	Full Grid, 72SF (7 Req.) DE7200DA
21a	FC940	46210	Partial Grid, 24SF (DE248025)
21b	FC940	46212	Partial Grid, 36SF (DE368025)
21c	FC940	46214	Partial Grid, 48SF (DE488025)
21d	FC940	46216	Partial Grid, 60SF (DE608025)
21e	FC940	46218	Partial Grid, 72SF (DE728025)
22	DE2420GA	613093	Inlet Elbow
23	DE2420T	613089	Grid Spacer (24SF Only)
24	DE2480H	44280	Element Spreader
25	5K202Z	65242	O-Ring, Bolthead
26	DE2420F	613032	Ballhead Fitting
27	DE2420ATC	44876	Tank Bottom
28	SP382ZC	44288	Drain Plug, 1-1/2" w/O-Ring
30	D-64	65283	O-Ring, Union (502082)

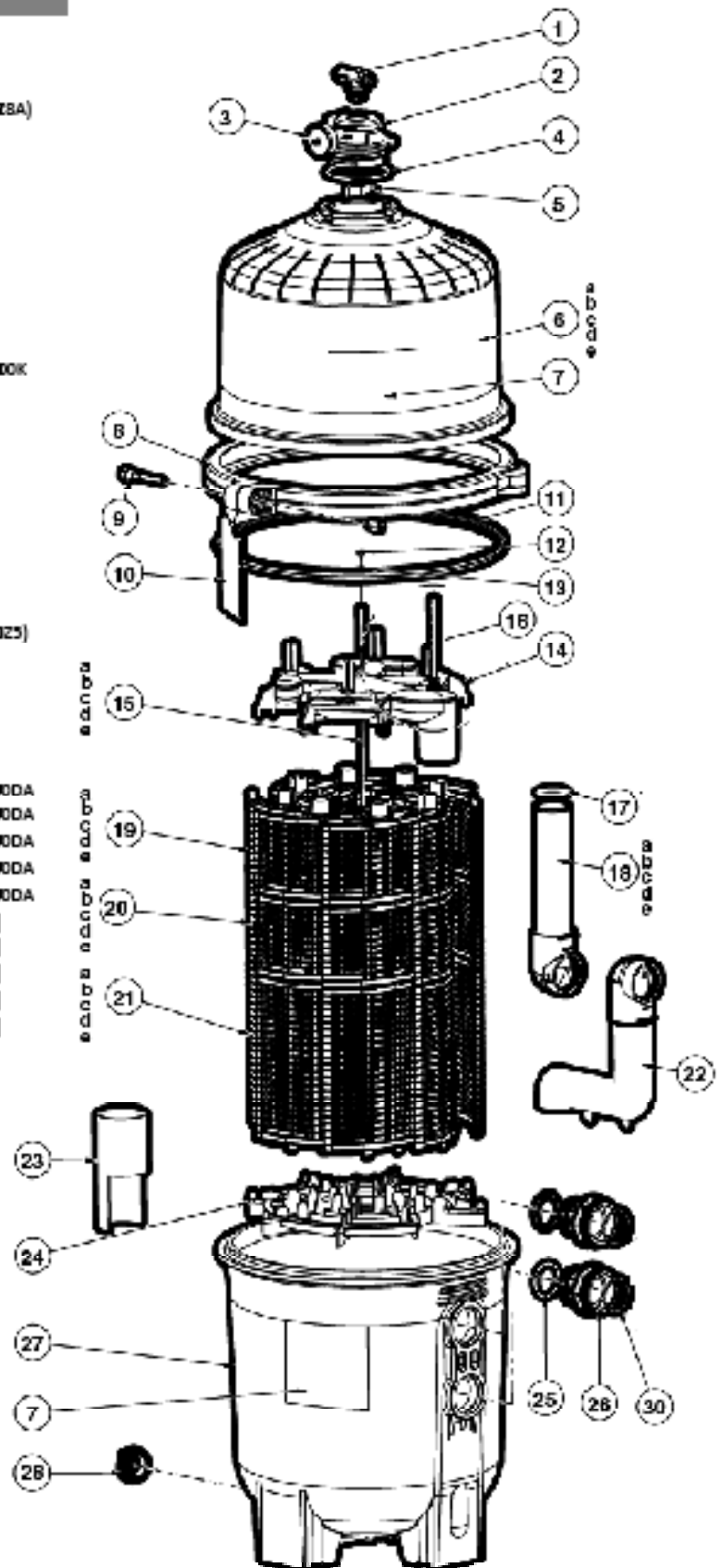
NOTE:

Pre-2010 Tank Clamps (DE2480C) are no longer available replace entire clamp assembly and seal ring. Current seal ring and previous tank O-ring are not interchangeable. Use item # (SPU-44878) above



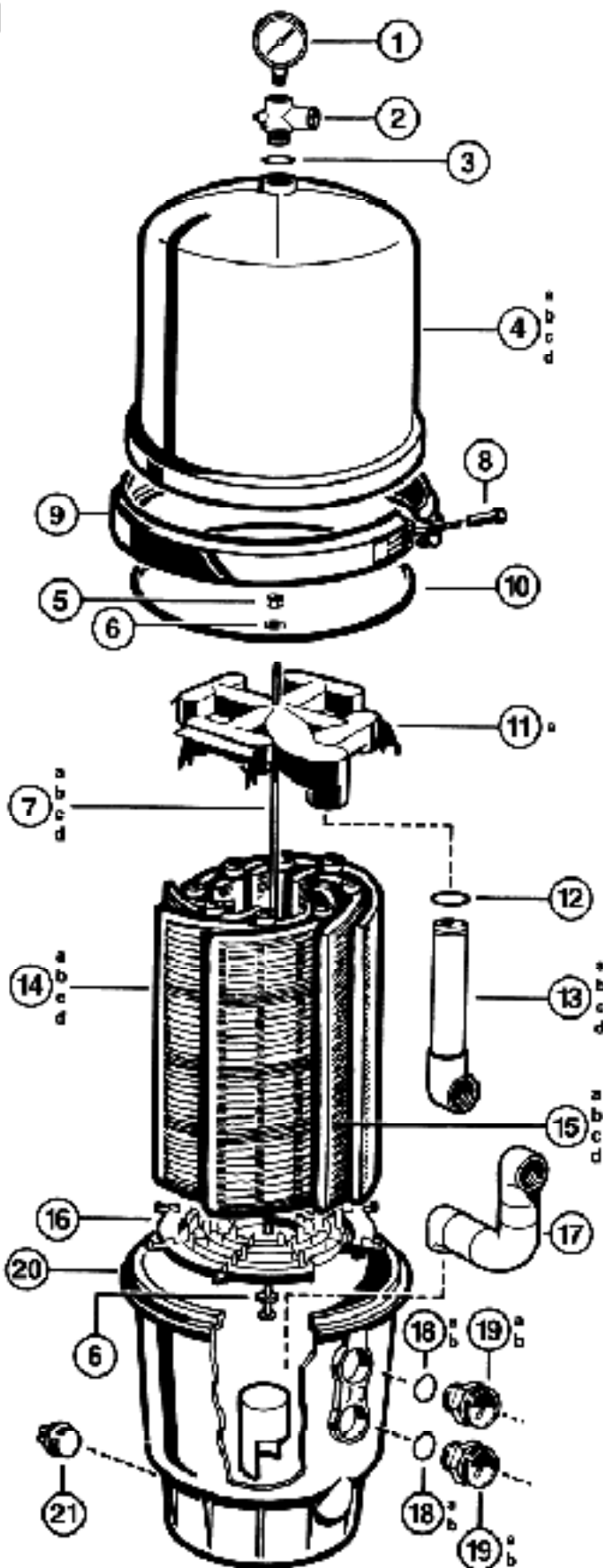
8-PACK Replacement Elements Sets	
7-Full Grids + 1-Partial Grids	
46200	24 SF
46202	36 SF
46204	48 SF
46206	60 SF
46208	72 SF

Pre-2010 Tank Clamps



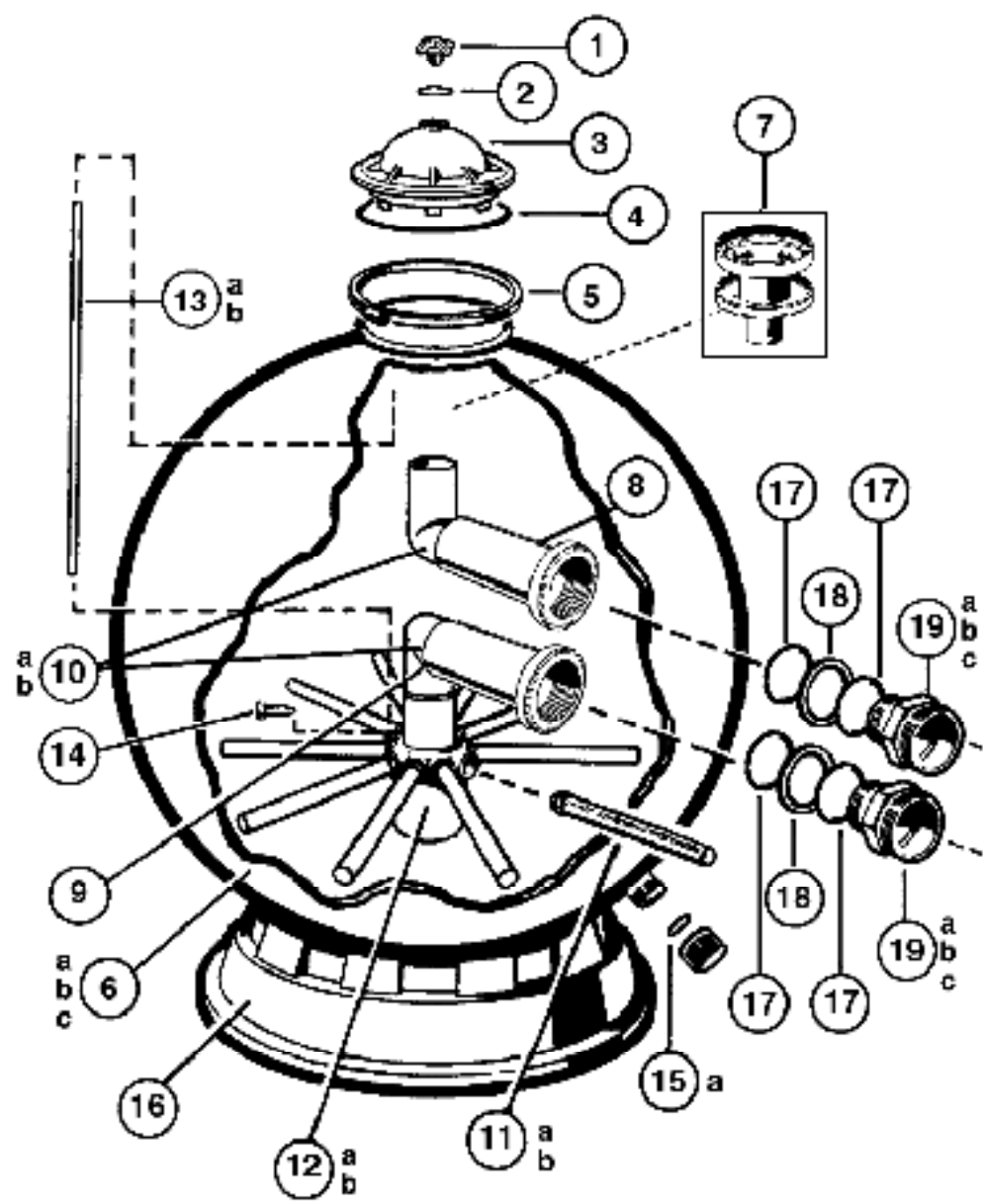
Hayward DE Filters
Micro-Clear
DE2400, DE3600, DE4800, DE6000 & DE7200

Key	Part#	SKU	Description
1	44310	44310	PSI Gauge (ECC270861)
2	DE240025	44323	Air Release Valve & Adapter
3	O-27	66203	O-Ring, Air Valve (SC20023)
4	Varies by Model	MLA	Discontinued-Tank Top
5	ECR176263	689354	Nut 3/16", Retaining Rod
6	ECR1129	48273	Washer 3/16", Retaining Rod
7a	DE240008	44640	Retaining Rod, DE2400
7b	DE360008	44631	Retaining Rod, DE3600
7c	DE480008	44642	Retaining Rod, DE4800
7d	DE600008	44643	Retaining Rod, DE6000
8	DE240011	MLA	Discontinued-Nut, Clamp
9	DE240011	MLA	Discontinued-Tank Clamp
10	O-429	66269	O-ring, Tank Top (DE240008)
11a	DE240008	44433	Manifold
11b	DE240008	44820	Flex Air Release Sock
12	O-424	66272	O-ring, Outlet Elbow (DE240008)
13a	DE240008AB	44237	Outlet Elbow, 24SF (2007-)
13b	DE360008AB	68233	Outlet Elbow, 36SF (2007-)
13c	DE480008AB	68232	Outlet Elbow, 48SF (2007-)
13d	DE600008AB	68231	Outlet Elbow, 60SF (2007-)
14a	FC9320	46200	Full Grid, 24SF (7 Req.) (DE240000A)
14b	FC9330	46202	Full Grid, 36SF (7 Req.) (DE360000A)
14c	FC9340	46204	Full Grid, 48SF (7 Req.) (DE480000A)
14d	FC9300	46206	Full Grid, 60SF (7 Req.) (DE600000A)
15a	FC9420	46210	Partial Grid, 24SF (DE240000C)
15b	FC9430	46212	Partial Grid, 36SF (DE360000C)
15c	FC9440	46214	Partial Grid, 48SF (DE480000C)
15d	FC9430	46216	Partial Grid, 60SF (DE600000C)
16	DE240008	44280	Spreader, Grid
17	DE240008AB	68236	Inlet Elbow
18a	O-246	68883	O-ring, Bulkhead (1996-) SC36021
18b	O-43	66230	O-ring, Bulkhead (Pre-1996) SC20023
19a	DE3600FB	68238	Bulkhead Fitting (1997-)
19b	DE3600F	44893	Bulkhead Fitting (Pre-1996)
20	DE240008ATT	MLA	Discontinued-Tank Bottom
21	SP1022C	44208	Drain Plug w/O-ring 1-1/2"
22	O-64	66233	O-ring, Backwash Valve (SC20024)

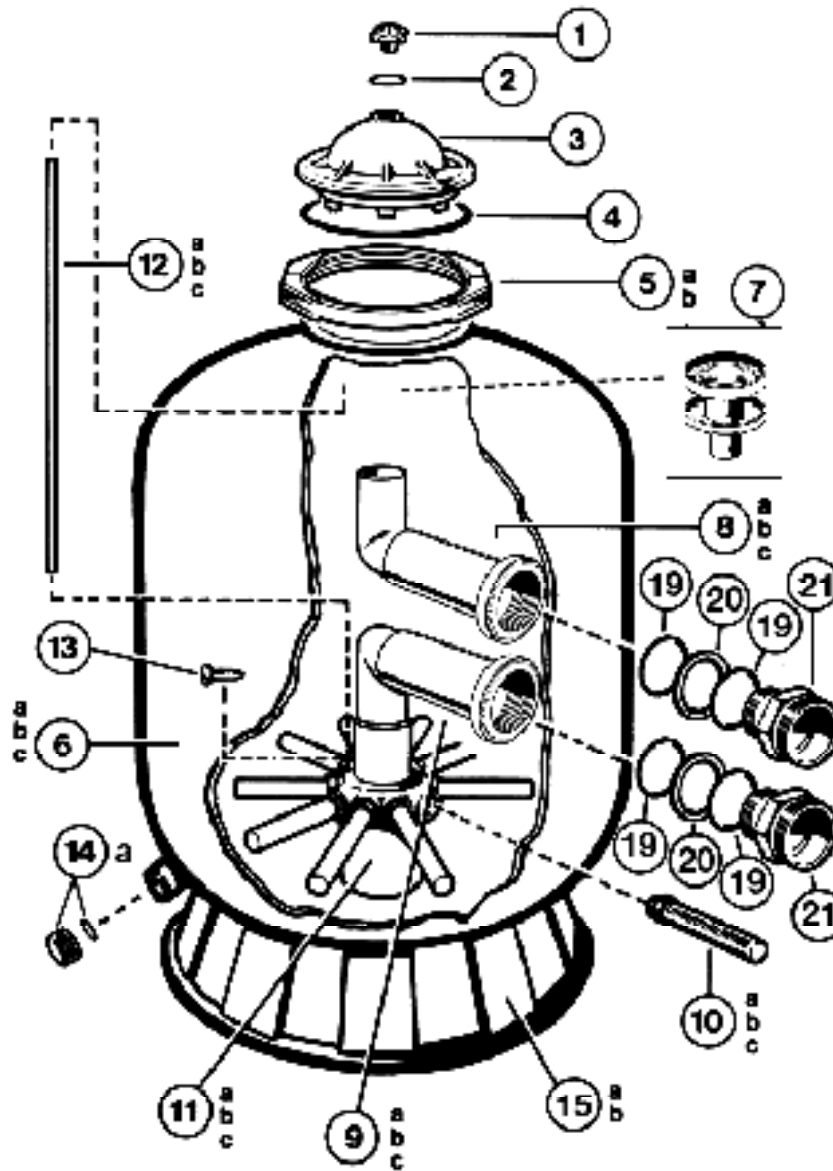


3-PACK Replacement Elements Sets
7-Full Grids + 1-Partial Grids

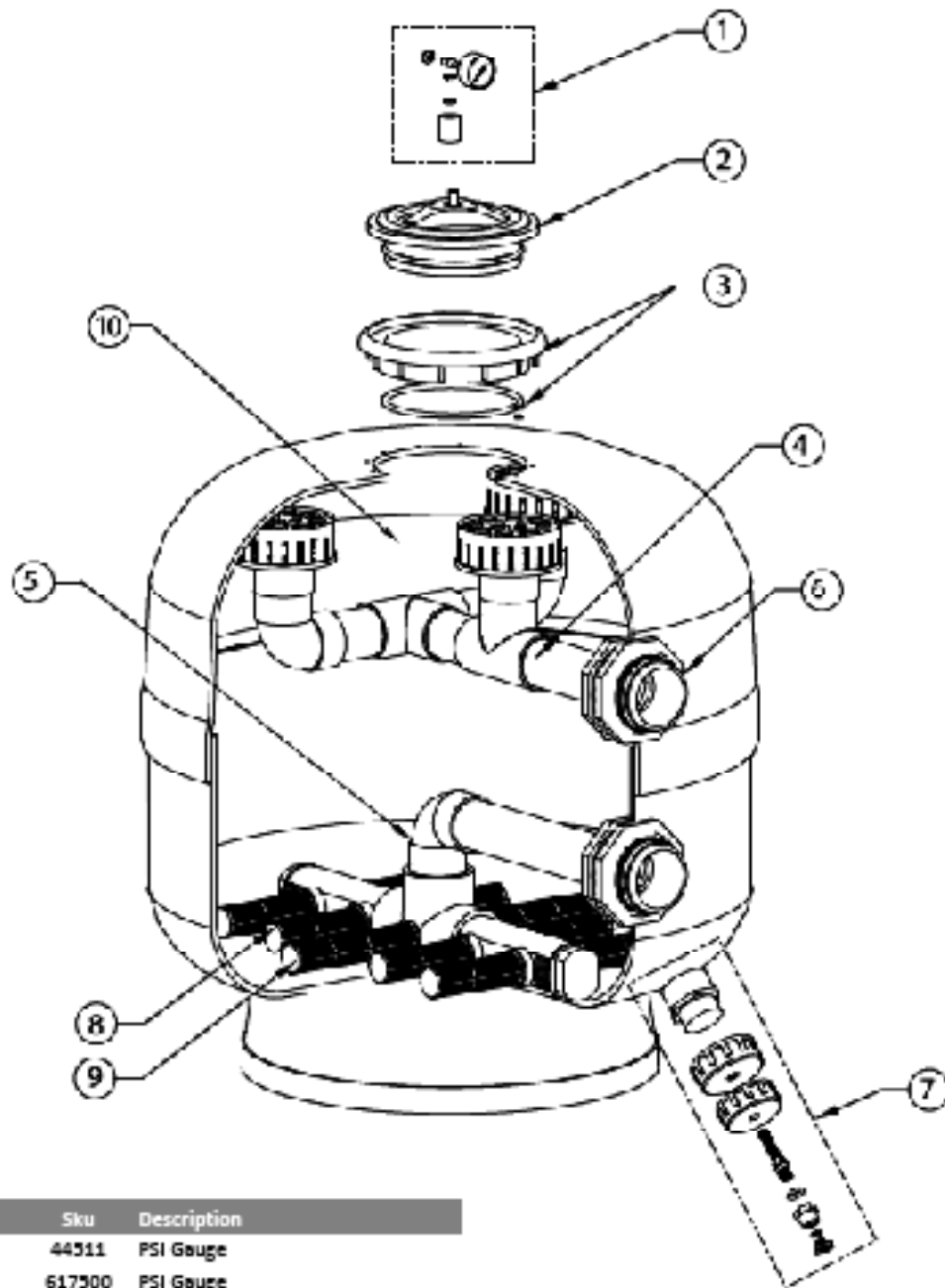
46803	24 SF
46806	36 SF
46807	48 SF
46808	60 SF
46809	72 SF



Key	Part#	Sku	Description	Key	Part#	Sku	Description
1a	50288G	44023	Air Release Cap	11b	50338HA	623778	Lateral (Pre-2000)
1b	DE024885	44323	Air Release Valve	12a	50331DA	621494	Folding Lateral Holder, S311 (1997-)
2	EC0270861	44331	PSI Gauge (For MPV Valve)	12b	50242MA3	622288	Folding Lateral Holder, S360
3	EC0270861	44330	PSI Gauge (For Air Release Valve)	13a	CR1100004	44852	Air Tube, S311
4	01-27	66209	O-ring, Cap (50288G)	13b	5036002	622383	Air Tube, S360
5	50244E	44398	Diver	14	50288Z2	44823	Screw, Air Tube
6a	01-263	66282	O-ring, Cover (50288Z2)	15a	503888A	44284	Basin Cap & Screen Assy.
6b	50338M	44821	Flange Clamp, Cover	15b	50388HG	44282	Basin Cap (Pre-2000)
7	50244G	44388	Top Diffuser Assy.	—	50288H	44824	Screen, Bottom Basin (Pre-2000)
8	50331CH1FW	602390	Top Elbow, S311 (1996-)	16	50338	622778	Filter Support Stand
9	50331CH2FW	602383	Bottom Elbow, S360 (1996-)	17	01-246	628803	O-ring, Bulkhead (1990-) 50288Z1
10a	50360CF1FW	613068	Elbow Assy., S360 (1993-)	18	50360E	628801	Spacer, Bulkhead (1993-)
10b	50360CF1	602379	Elbow Assy., S360 (Pre-1993)	19a	50244P	622776	Bulkhead Fitting (1993-)*
11a	50338M	44339	Lateral	19b	50331F	622381	*Bulkhead Fitting, S360 (Pre-1993)
				19c	DE024885	44823	*Bulkhead Fitting, S311 (Pre-1993)
				21	01-64	62233	O-ring, Backwash Valve (50288Z4)

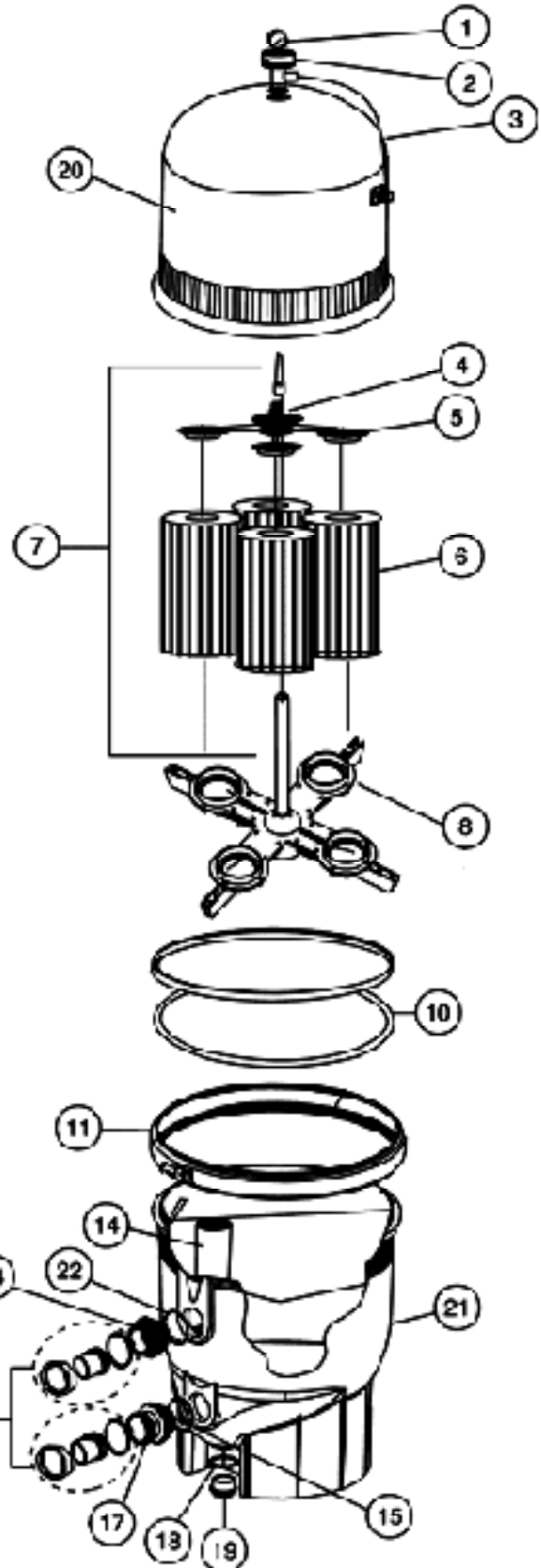


Key	Part#	SKU	Description	Key	Part#	SKU	Description
1	SG280G	44023	Air Release Cap	18c	SG280HM	44329	Lateral, S330
2	O-27	66209	O-ring, Cap (SG280G)	19a	SG242MM	44361	Folding Lateral Holder, S210
3	SG244E	44358	Flange Cover	19b	SG242MM1	44371	Folding Lateral Holder, S244
4	O-26E	66282	O-ring, Cover (SG280G)	19c	SG242MM2	66297	Folding Lateral Holder, S310
3a	GM0020PM	44396	Flange Clamp	12a	CG30092	44896	Air Tube, S238
3b	SG338M	44821	Flange Clamp, S310S	12b	CG11059A	44892	Air Tube, S244
6a	SG238AAZPW	682370	Filter Tank, S210 (1997-)	12c	SG280Z1	681362	Air Tube, S338
6b	SG244AAZPW	682369	Filter Tank, S244 (1996-)	13	SG280Z2	44629	Screen, Air Tube
6c	SG338AAZPW	682368	Filter Tank, S310 (1996-)	14a	SG080LA	44204	Drain Cap & Screen
7	SG244G	44388	Top Diffuser Assy.	14b	SG080HG	44262	Drain Cap (Pre-2003)
8a	SG238C10PM	682361	Top Elbow, S210 (1996-)	—	SG280H	44624	Screen, Drain Cap (Pre-2003)
8b	SG244C10PM	682369	Top Elbow, S244 (1996-)	15a	SG280U	681493	Filter Support Stand, S210-244
8c	SG338C10PM	682364	Top Elbow, S310 (1996-)	15b	SG280U	682178	Filter Support Stand, S310
9a	SG238C10PM	682365	Bottom Elbow, S230 (1996-)	17	O-64	66293	O-ring, Backwash Valve (SG280G)
9b	SG244C10PM	682367	Bottom Elbow, S244 (1996-)	19	O-24E	68863	O-ring, Bulhead Fitting (SG338G)
9c	SG338C10PM	682364	Bottom Elbow, S330 (1996-)	20	SG280E	68881	Spacer, Bulhead Fitting
10a	SG280JN	44365	Lateral, S230	21	SG244P	682176	Bulhead Fitting (1996-)
10b	SG240DM	44369	Lateral, S230-S244				

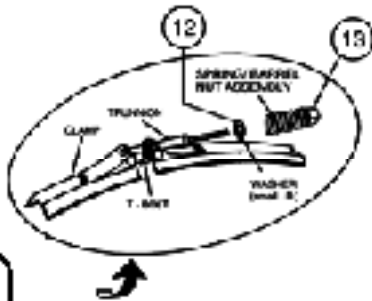


Key	Part#	Sku	Description
1a		44311	PSI Gauge
1b	HCFZ780001	617300	PSI Gauge
2	HCFZ780002	617301	Filter Lid
3	HCFZ780003	617302	Neck Assy.
4	HCFZ780243	617303	Diffuser Assy. HCF302
	HCFZ780743	617304	Diffuser Assy. HCF304
	HCF1640143	617303	Diffuser Assy. HCF303
5	HCFZ780244	617306	Lateral Manifold HCF302
	HCFZ780744	617307	Lateral Manifold HCF302
	HCF1640144	617308	Lateral Manifold HCF302
6	BFAN03025	617309	Bulkhead Fitting HCF302-302
	BFAN03025	617310	Bulkhead Fitting HCF303
7	HCFZ780004	617311	Drain Assy.
8	HCFZ780247	617312	Lateral HCF302
	HCFZ780747	617313	Lateral HCF302
	HCF1640147	617314	Lateral HCF303
9	HCF30777	617315	Lateral Kit HCF302-303

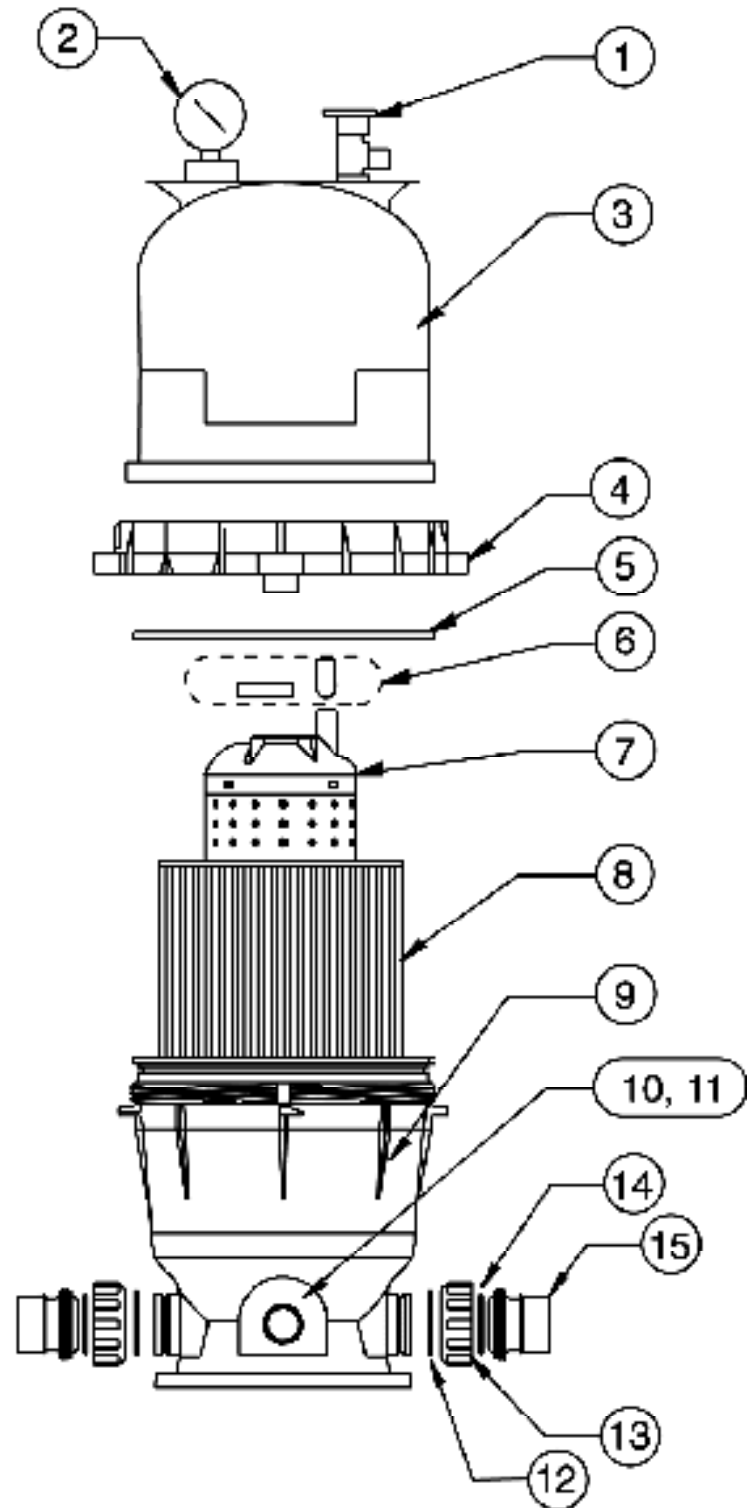
Key	Part#	SKU	Description
1	44318	44330	PSI Gauge (190000)
2	9020000	44005	Air Release Valve, Manual
4	170016	602172	Compression Spring
3a	170026	602167	Top Mount/Id, 240SF
3b	170027	602165	Top Mount/Id, 320-320SF
6a	PCC00	46005	Cartridge, 60SF For 240 (8173072)
6b	PCC00	46006	Cartridge, 60SF For 320 (8173073)
6c	PCC00	46008	Cartridge, 300SF For 420 (8173076)
6d	PCC00	46000	Cartridge, 1300SF For 320 (8173078)
7a	170030	602171	Air Tube, 240
7b	170029	602170	Air Tube, 320
7c	170028	602169	Air Tube, 420
7d	170081	602168	Air Tube, 320
8a	170040	622105	Bottom Mount/Id (2000-)
8b	170031	602173	Bottom Mount/Id (1998-2000)
10	35016200	64000	O-ring, Tank
11	190003	602439	Tank Clamp
12a	35000300	44035	Washer, Clamp
12b	190010	602303	Washer, Small
13	35010000	602971	Spring Barrel & Nut
14	190039	602174	Ballbead Assy.
15	05000000	602104	O-ring, Ballbead
16a	Z71026	44021	Ballbead Union
16b	Z70004	622102	Ballbead Union 1-1/2 - 2", Black
16c	Z70100	621203	Ballbead Union 2 - 2-1/2", Black
17	170033	602175	Bottom Outlet Pipe
18a	191474	602108	O-ring, Drain Plug (2000-)
18b	01-71	66011	O-ring, Drain Plug (2000-2000) 700000
18c	05000000	602149	Gasket, Drain Cap (Pre-1998)
18d	05000000	44205	Drain Plug w/O-ring, 1-1/2"
19a	31316200	602131	Drain Cap
19c	190030	622420	Drain Plug (2000-)
20a	170023	622724	Tank Top, 240
20b	170024	622747	Tank Top, 320
20c	170081	622764	Tank Top, 420
20d	170082	622734	Tank Top, 320
21	170070	622807	Tank Bottom
22a	01-609	66405	O-ring, Outlet Pipe (192000)
22b	05000000	602104	O-ring, Ballbead (Pre-1998)
23	190039	622109	Spacer Ring, (2000-)
24	194001	44102	Ballbead Adapter



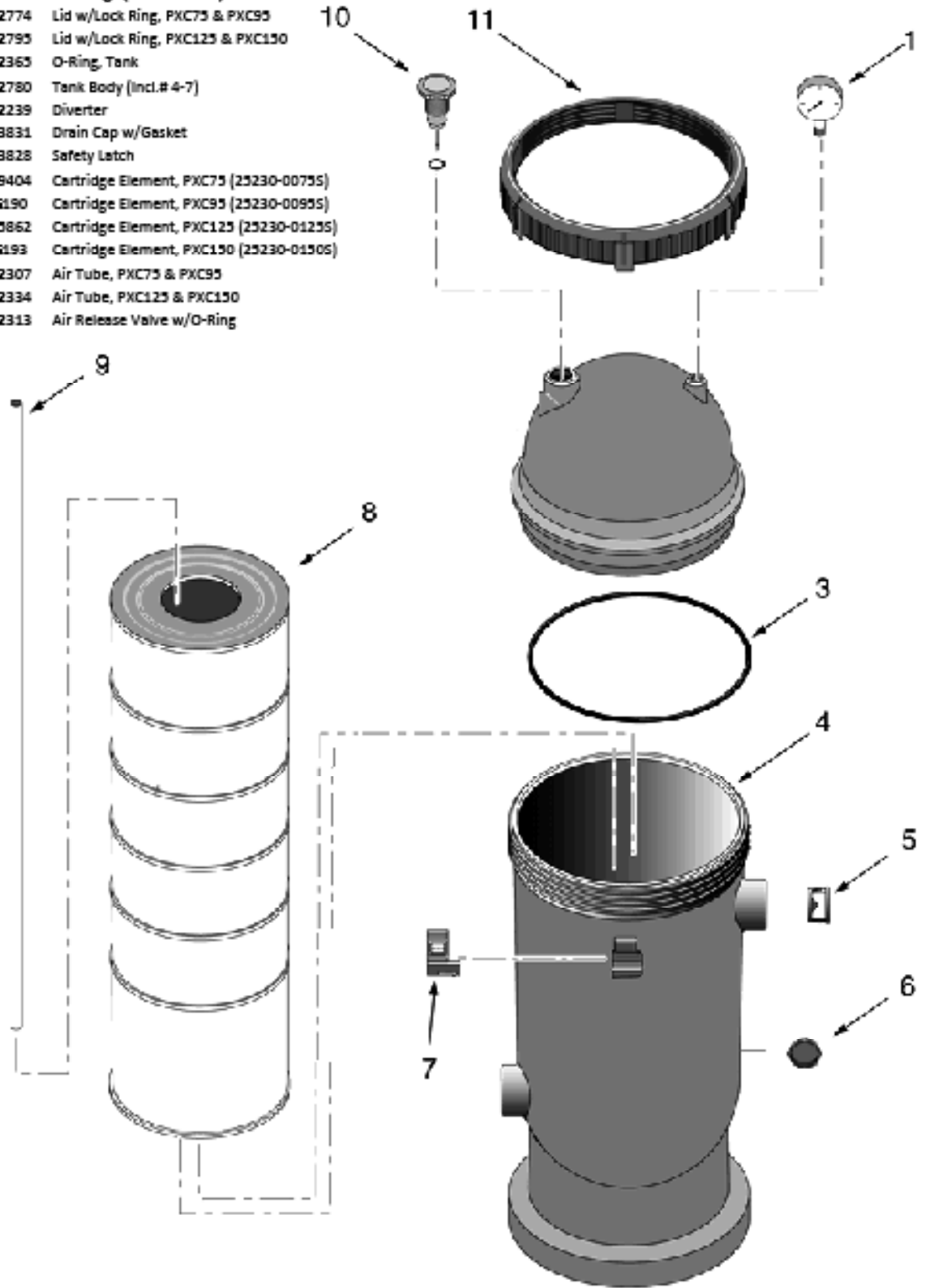
4-PACK Replacement Elements Sets
 45616 CC Plus 240
 45617 CC Plus 320
 45618 CC Plus 420
 45619 CC Plus 320

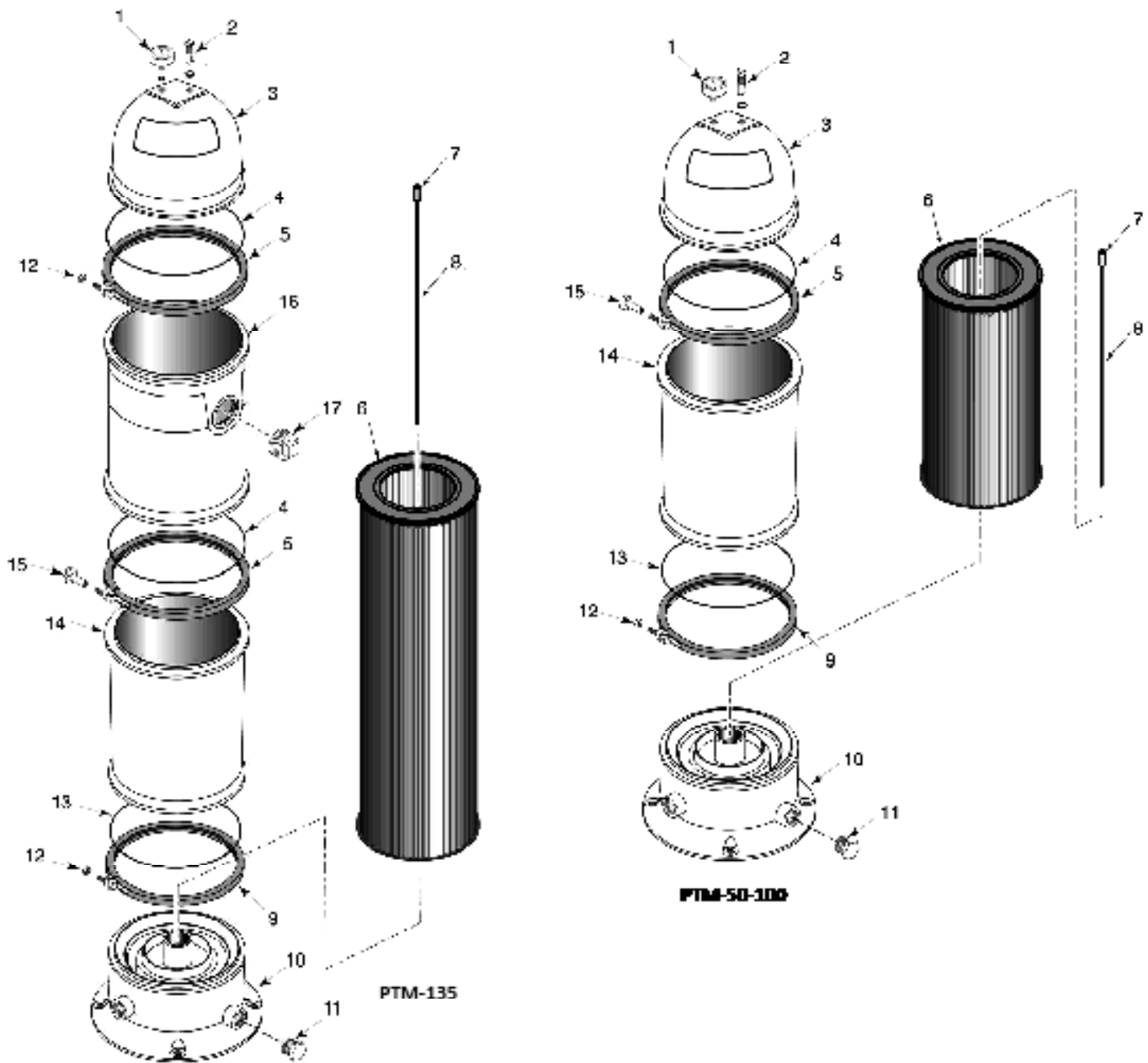


Key	Part#	Sku	Description
1	98202800	44096	Air Release Valve, Manual
2	44318	44330	PSI Gauge (250070)
3a	178003	682231	Lid, 30 & 180 SF
3b	178061	682236	Lid, 71, 130 & 280 SF
4	35002800	682219	Lack Ring Assy.
5	87300400	66303	O-Ring, Tank
6	35016200	682227	Adapt. Socket, Air Tube
7a	35003000	682226	Center Core, 30 SF
7b	35003600	682223	Center Core, 75 SF
7c	35003700	682224	Center Core, 300 SF
7d	35003800	682225	Center Core, 130 & 280 SF
8a	PAP30	46061	Cartridge Element, 30 SF [8173213]
8b	PAP75	46062	Cartridge Element, 75 SF [8173214]
8c	PAP300	46063	Cartridge Element, 300 SF [8173215]
8d	PAP130	46064	Cartridge Element, 130 SF [8173216]
8e	PAP280	46065	Cartridge Element, 280 SF [8173217]
9a	178062	682228	Tank Bottom, 30 SF
9b	178004	682219	Tank Bottom, 75 SF
9c	178063	682218	Tank Bottom, 300 SF
9d	178060	682217	Tank Bottom, 130 & 280 SF
10a	31316200	682231	Drain Cap (Pvc-1998)
10b	86202800	682286	Drain Plug, 1-1/2 w/O-Ring (2569)
11a	86200300	682049	Gasket, Drain Cap (Pvc-1998)
11b	O-71	66071	O-Ring, Drain Plug (1998) [318020]
12	35104000	680233	"C"-Clip, Union Nut
13	98212200	680234	Nut, Union
14	O-64	66236	O-ring, union (871426)
15	79304600	682216	Ballhead Fitting



Key	Part#	Sku	Description
1	44310	44310	PSI Gauge (1.3000-00001)
2 & 11	25230-01025	622774	Lid w/Lock Ring, PXC75 & PXC95
2 & 11	25230-01035	622795	Lid w/Lock Ring, PXC125 & PXC150
3	25230-00105	622365	O-Ring, Tank
4	25230-00015	622780	Tank Body (Incl.# 4-7)
5	25230-00005	622239	Diverter
6	302100-7074	613831	Drain Cap w/Gasket
7	25230-00007	613828	Safety Latch
8a	PA76	626404	Cartridge Element, PXC75 (25230-0075S)
8b	PA90	46190	Cartridge Element, PXC95 (25230-0095S)
8c	PWWPXC125	623862	Cartridge Element, PXC125 (25230-0125S)
8d	PA175	46193	Cartridge Element, PXC150 (25230-0150S)
9a	25230-00007	622307	Air Tube, PXC75 & PXC95
9b	25230-00008	622334	Air Tube, PXC125 & PXC150
10	24206-01005	622313	Air Release Valve w/O-Ring

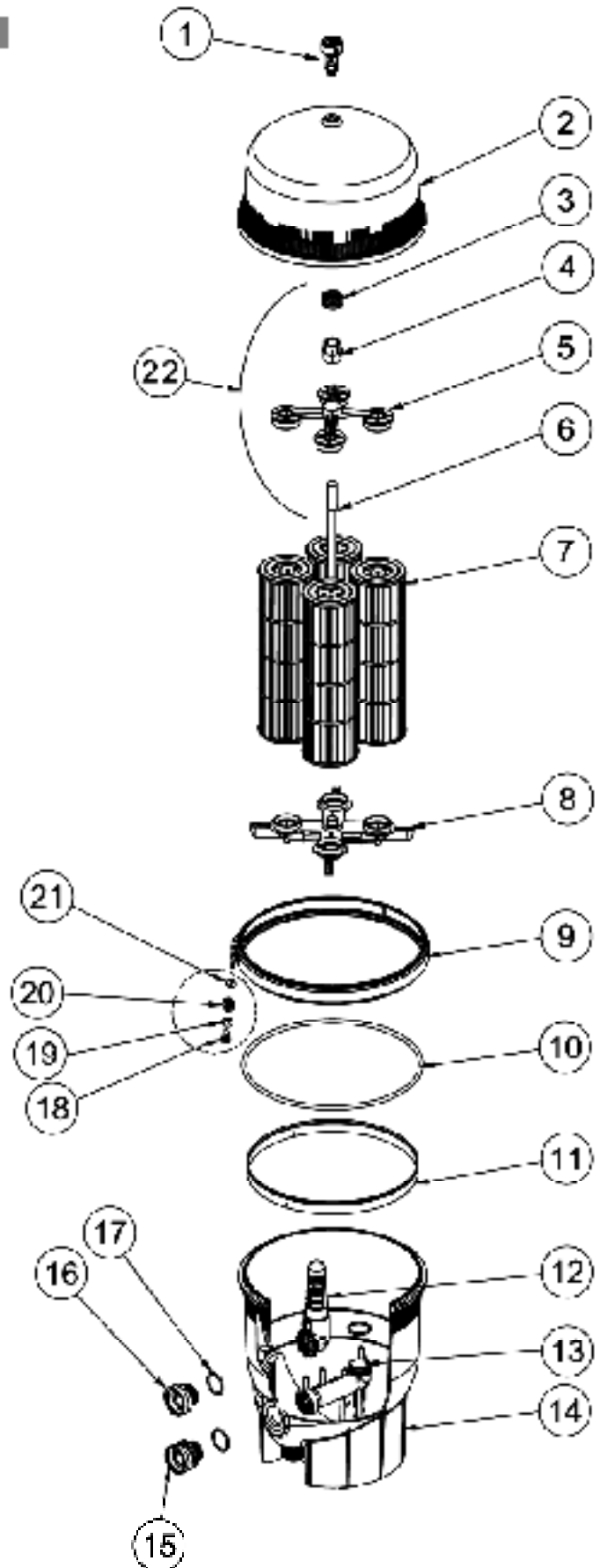




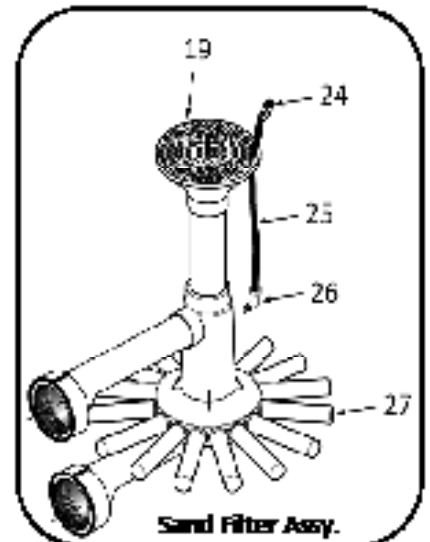
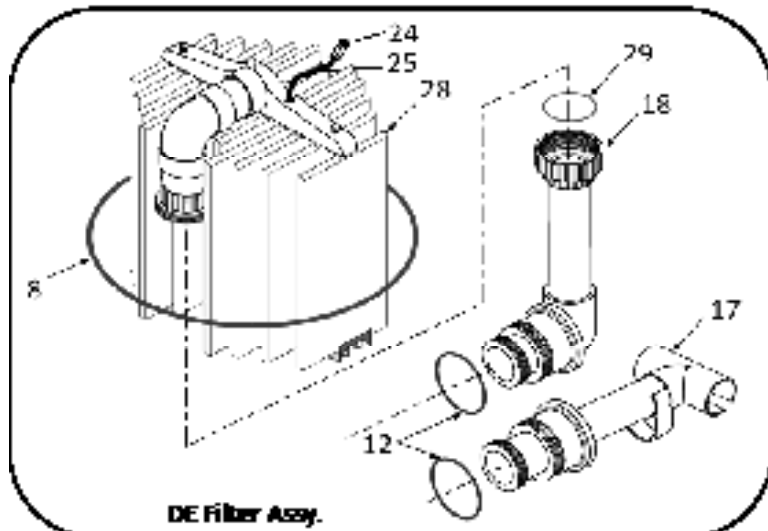
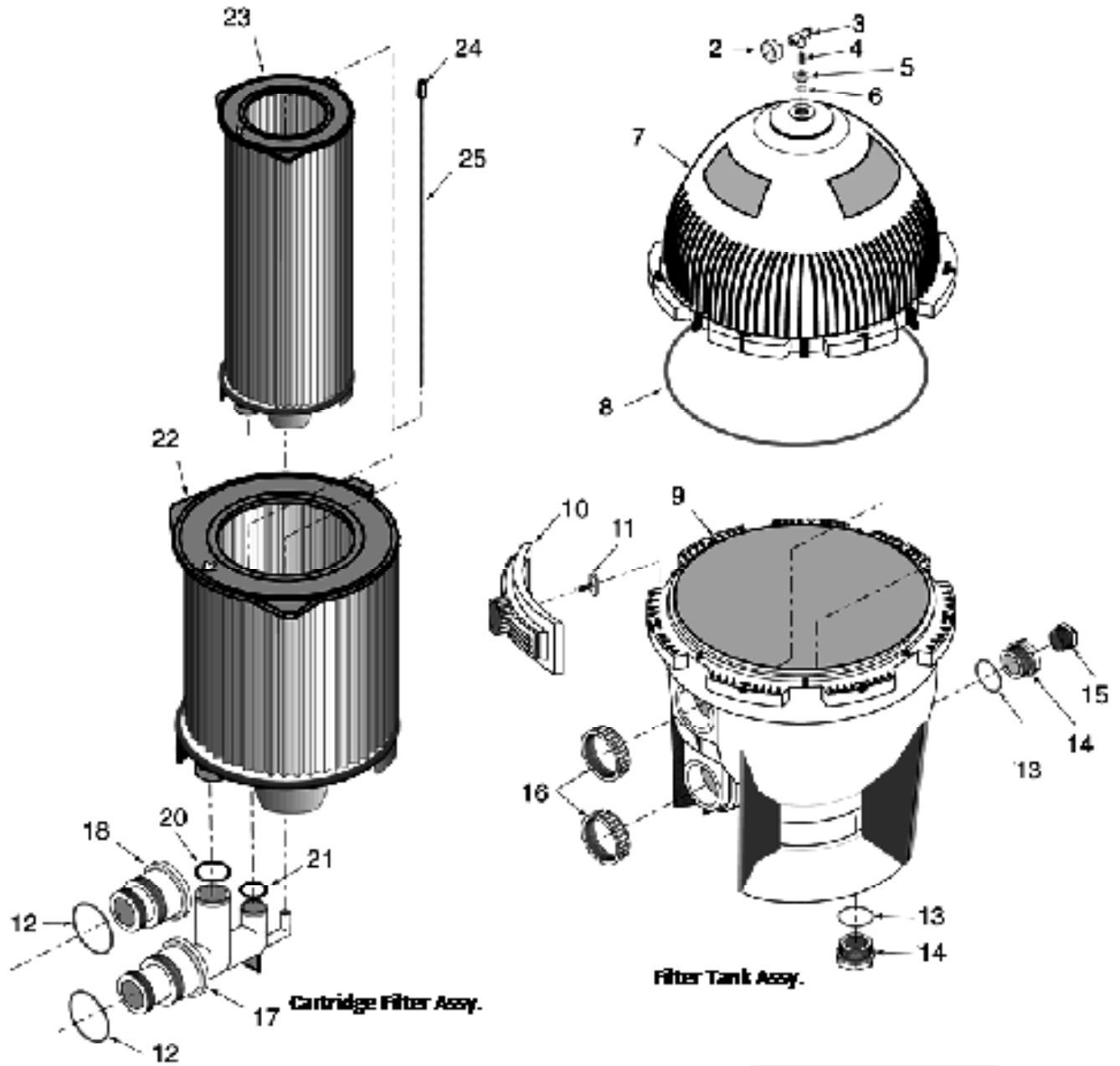
Key	Part#	SKU	Description	Key	Part#	SKU	Description
1	44311	44311	PSI Gauge (13060-0000)	7	WC3-35	44243	Filter, Air Tube
2a	WC3-720	44629	Screen, Gauge	8a	23018-0007	602733	Air Tube, PTM30 & 70
2	23018-0200	602737	Air Release Valve	8b	23018-0006	602913	Air Tube, PTM300
2a	O-20	66679	O-Ring, Air Valve (US-320)	8c	23018-0010	602909	Air Tube, PTM335
3a	23018-9201	602736	Lid, PTM30 & 70	9	23018-0100	602734	Tank Clamp, Base
3b	23018-9202	602912	Lid, PTM300	10	WC104-70P	44303	Filter Base w/Plugs
3c	23018-9201	602736	Lid, PTM335	11	WC78-38T	44213	Drain Plug
4	23230-00305	622363	O-Ring, Top Lid	12	WC36-1	631391	Nut, Tank Clamp
5	23018-9301	602732	Tank Clamp, Top Lid	13	O-230	64938	O-Ring, Base (WC3-3)
6a	FS400	46163	Cartridge Element, PTM100 (WC100-36520)	14	23018-0001	602733	Lower Tank Body
6b	FS470	46168	Cartridge Element, PTM70 (WC100-37520)	15	WC36-22	44830	Nut, Tank Clamp
6c	FS400	46171	Cartridge Element, PTM100 (WC100-38520)	16	23003-0001	602910	Upper Tank Body, PTM335 Only
6d	FS4037	46174	Cartridge Element, PTM335 (WC100-70520)	17	36303-3830	608001	Plug, Upper Tank PTM335-Only

Pentair Cartridge Filters
Quad DE

Key	Part#	SKU	Description
1	96209800	440795	Air Release Valve, Blended
2a	178824	622747	Lid, 320 SF
2b	178881	622764	Lid, 420 SF
2c	178882	622784	Lid, 520 SF
3	178816	602172	Spring, Manifold
4	178826	602167	Adapter, Manifold
5		N/A	Lock 22, Manifold
6a	178829	602170	Air Tube, 320 SF
6b	178828	602169	Air Tube, 420 SF
6c	178883	602168	Air Tube, 520 SF
7a	178826	626483	Cartridge Element, Quad 100
7b	178820	626482	Cartridge Element, Quad 80
7c	178824	626481	Cartridge Element, Quad 60
8	178829	631244	Manifold Assy., Bottom
9	193331	44383	Tank Clamp
10	01-333	648900	O-Ring, Tank (3907002)
11	622339	Back-Up Ring	
12	193339	602174	Inlet Baffle
13	178826	626476	Outlet Pipe
14	178878	622817	Tank Bottom
15	178873	622344	Lower Bulkhead
16	194881	600312	Upper Bulkhead
17	86209200	602904	O-Ring, Bulkhead
18	194887	602321	Mat, Clamp
19	193611	602302	Large Washer, Clamp
20	193612	602301	Spring, Clamp
21	193610	602303	Small Washer, Clamp
22	178826	602167	Manifold Assy. (incl. 3-3)

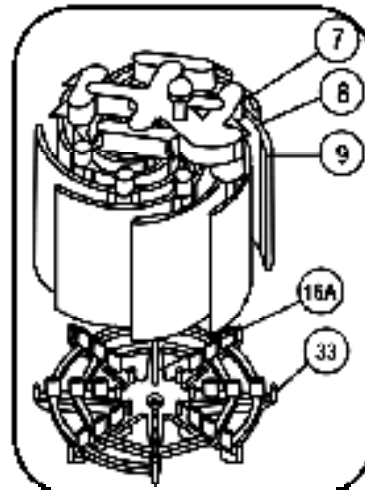
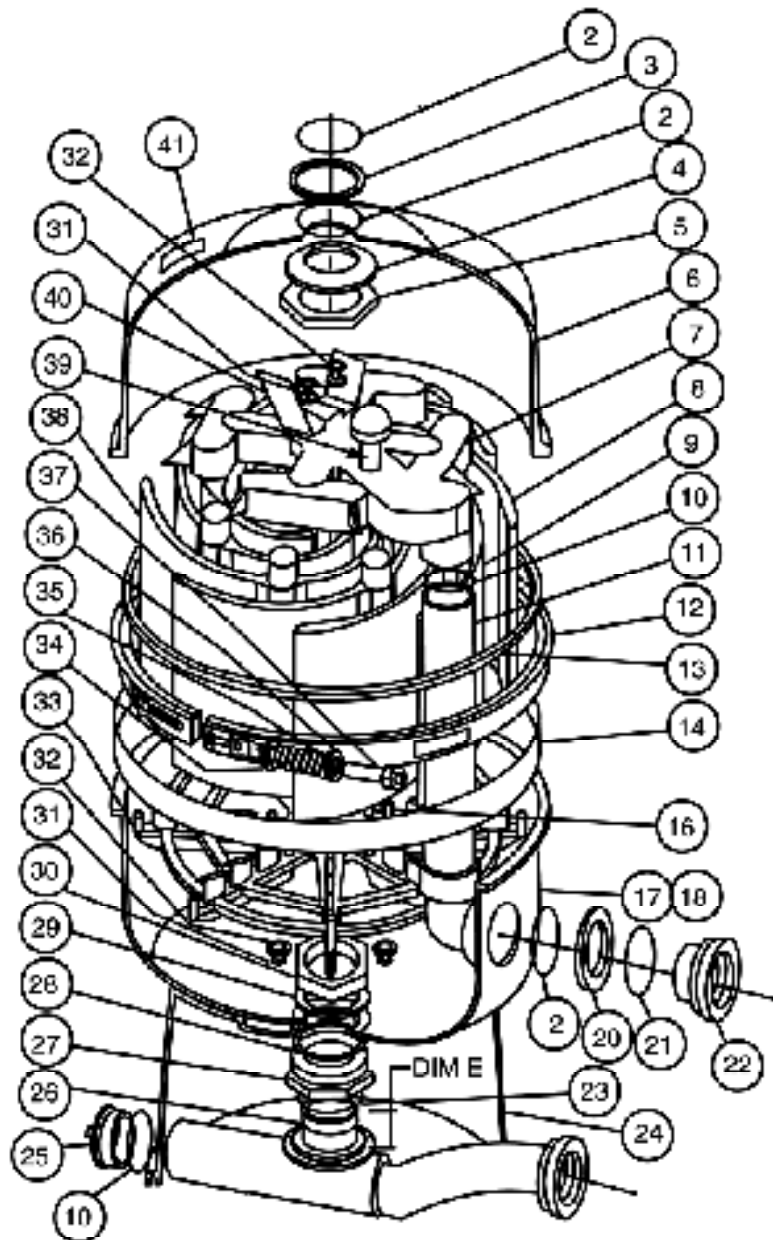


Pentair/Sta-Rite Modular Filters System 3 (Cartridge, Sand or DE)

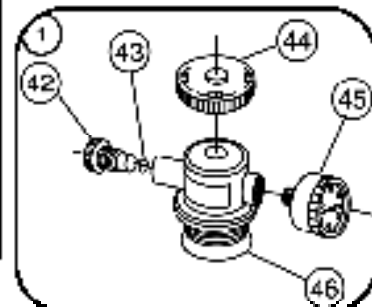


Peakair DE Filters
FMS DE (1993-Current)

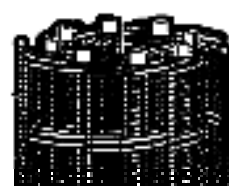
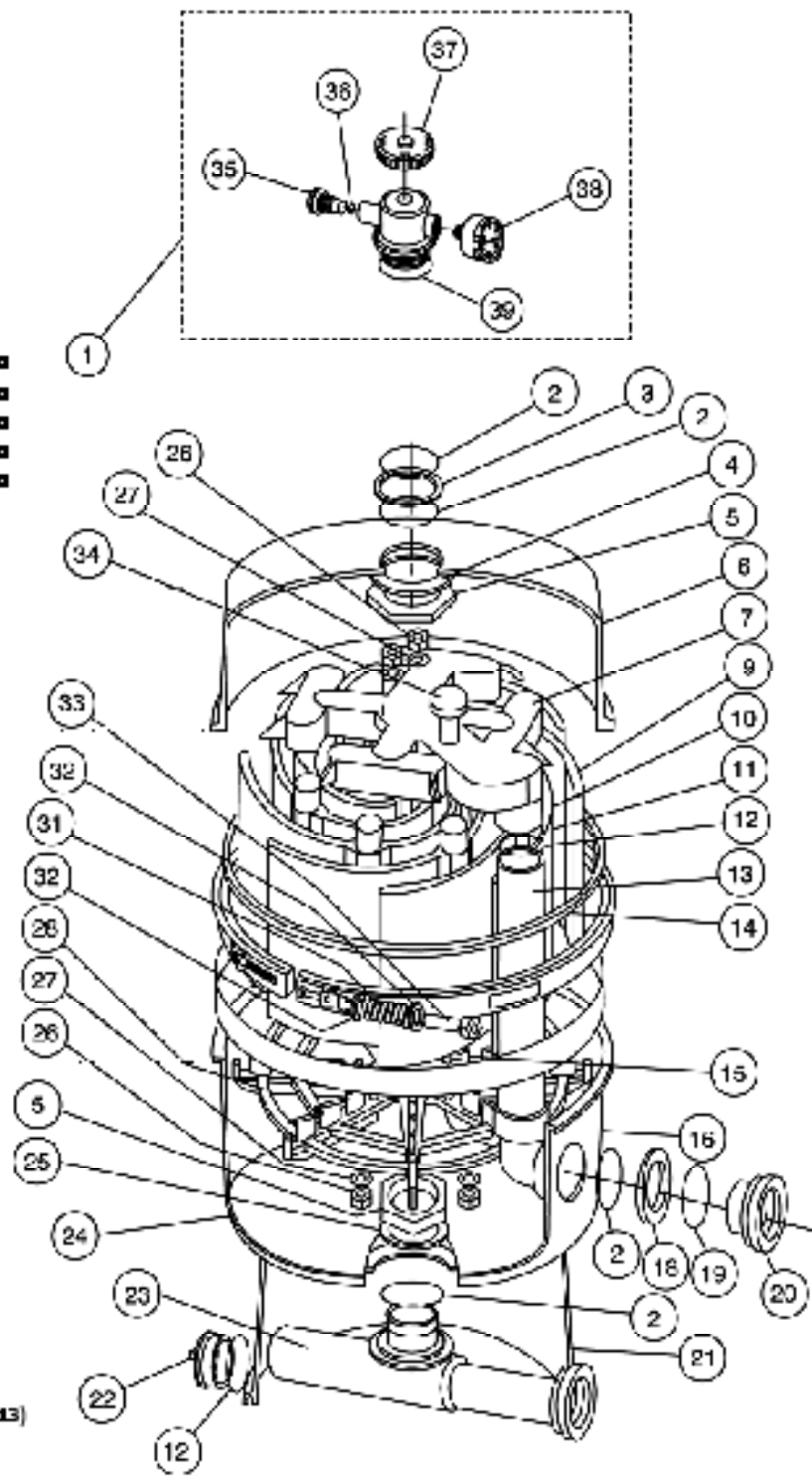
Key	Part#	Sku	Description
1	Z73302	602332	Air Bleeder Assy.
2	O-179	65027	O-ring, Spacer (134482)
3	Z73302	602333	Top Spacer
4	Z73303	602334	Spacer
5	134412	44341	Spacer Nut
6		CALL	Tank Top
7	Y92173	608064	Manifold
8	FC5820	46308	Full Grid 24SF (7 Req.) 28001300
8	FC5830	46302	Full Grid 36SF (7 Req.) 28001800
8	FC5840	46304	Full Grid 48SF (7 Req.) 28002400
8	FC5830	46306	Full Grid 62SF (7 Req.) 28003000
9	FC5420	46318	Partial Grid 24SF (28001300)
9	FC5430	46312	Partial Grid 36SF (28001700)
9	FC5440	46314	Partial Grid 48SF (28002300)
9	FC5430	46316	Partial Grid 62SF (28002900)
10	O-24	65496	O-ring, Standpipe (152323)
11	Y92213	608016	Upper Piping, 24SF
11	Y92214	608013	Upper Piping, 36SF
11	Y92213	608014	Upper Piping, 48SF
11	Y92216	608013	Upper Piping, 62SF
12	Y92301	44383	Tank Clamp
13	O-420	65008	O-ring, Tank (193008)
14	Y92307	602306	Retainer, Tank
16	Y92183	44333	Retainer Rod, MSP-36 13"
16	Y92184	44334	Retainer Rod, MSP-18 27-1/2"
16	Y92183	44331	Retainer Rod, MSP-60 33-1/2"
16A	Y92141	602307	Retainer Rod, FMS-36 13"
16A	Y92140	602308	Retainer Rod, FMS-24 13"
17		CALL	Tank Bottom
18		CALL	Tank Bottom, Base & Piping
20	Y94893	44763	Spacer, 2" External
21	88086000	602304	O-ring, Bulhead (2004-)
21	O-809	65493	O-ring, Bulhead (Pre-2004) 152320
22	Y92141	622633	Bulhead 2" (2004-)
23	O-83	65383	O-ring, Drain Plug 2" (Z24494)
24	Y92131	608017	Base
25	Y92829	608008	Drain Plug 2"
26	Y92308	608010	Lower Piping Assy.
27	Y92221	602316	Adapter, Lower Pipe 6"
28	O-163	65032	O-ring, Valve Adapt. (134494)
29	Y92084	44631	Paty Washer
30	134412	44341	Bulhead Nut
31	Y92013	609164	Nut 3/16", Retaining Rod
32	174933	608026	Washer 3/16", Retaining Rod
33	Y92194	608063	Grid Spacer
34	Y92638	602303	Washer, Small
35	Y92612	602301	Spring, Clamp
36	Y92611	602302	Washer, Clamp
37	Y94997	602321	Nut, Clamp
38	172833	44797	Strainer, Manifold
42	Z73312	44627	Air Bleeder
43	O-628	65019	O-ring, Bleeder Screw (Z73013)
43	44311	44311	PSI Gauge (Y92029)
46	O-179	65027	O-ring, Air Valve (134482)



8-PACK Replacement Elements Set:	
7-Full Grids + 1-Partial Grids	
46006	36 SF
46007	48 SF
46008	62 SF



Key	Part#	SKU	Description
1	261883	44189	Auto Air Release Assy.
2	O-Ring	65233	O-ring, Spacer (Z744894)
3	Z73082	602303	Top Spacer
4	Z73083	602304	Spacer
5	134412	44341	Nut, Spacer
6		CM1	Tank Top
7	192153	44882	Mounting
8a	FC9428	46208	Partial Grid 24SF [20000000]
8b	FC9438	46202	Partial Grid 36SF [20000200]
8c	FC9448	46204	Partial Grid 48SF [20000300]
8d	FC9458	46206	Partial Grid 60SF [20000500]
8e	FC9468	46208	Partial Grid 72SF [20000100]
10a	FC9328	46208	Full Grid 24SF (7 Req.) 39001388
10b	FC9338	46202	Full Grid 36SF (7 Req.) 39001888
10c	FC9348	46204	Full Grid 48SF (7 Req.) 39002488
10d	FC9358	46206	Full Grid 60SF (7 Req.) 39003088
10e	FC9368	46208	Full Grid 72SF (7 Req.) 39003688
12	O-24	65436	O-ring, Standpipe [132323]
13a	194981	602326	Standpipe, 24SF
13b	194982	602323	Standpipe, 36SF
13c	194983	602324	Standpipe, 48SF
13d	194984	602323	Standpipe, 60SF
13e	194985	602322	Standpipe, 72SF
14	O-384	64918	O-ring, Tank [132127]
13a	192182	44332	Retaining Ring, 24SF
13b	192183	44333	Retaining Ring, 36SF 2 1/2"
13c	192184	44334	Retaining Ring, 48SF 2 1/2"
13d	192185	44335	Retaining Ring, 60SF 3 1/2"
13e	192082	44918	Retaining Ring, 72SF 3 1/2"
16		CM1	Tank Bottom
18	194883	44763	External Spacer, 2"
19a	86202800	602304	O-ring, Bulkhead
19b	192141	621613	Bulkhead w/O-ring
20	194881	44182	Bulkhead, 2"
21	134722	602304	Filter Base
22	192025	602603	Plug, 2"
23	194913	602603	Lower Piping Assy.
24		CM1	Tank Bottom Assy.
25	134747	44749	Spacer, Adapter
26	192013	609164	Nut 3/16", Base
27	72173	602217	Washer 3/16", Base
28	192194	602603	Grid Spacer
31	194988	44764	Spring
32a	39004880	44976	Washer, Clamp
32b	194989	44473	Nut, Clamp
33b	181811	602388	Tank Clamp [1992-]
34	172003	44797	Strainer, Air Release
35	Z73012	44627	Air Bleeder
36	O-628	65229	O-ring, Air Bleeder Screw (Z73013)
38	44311	44311	PSI Gauge [198025]
39	O-Ring	65233	O-ring, Air Valve [Z744894]



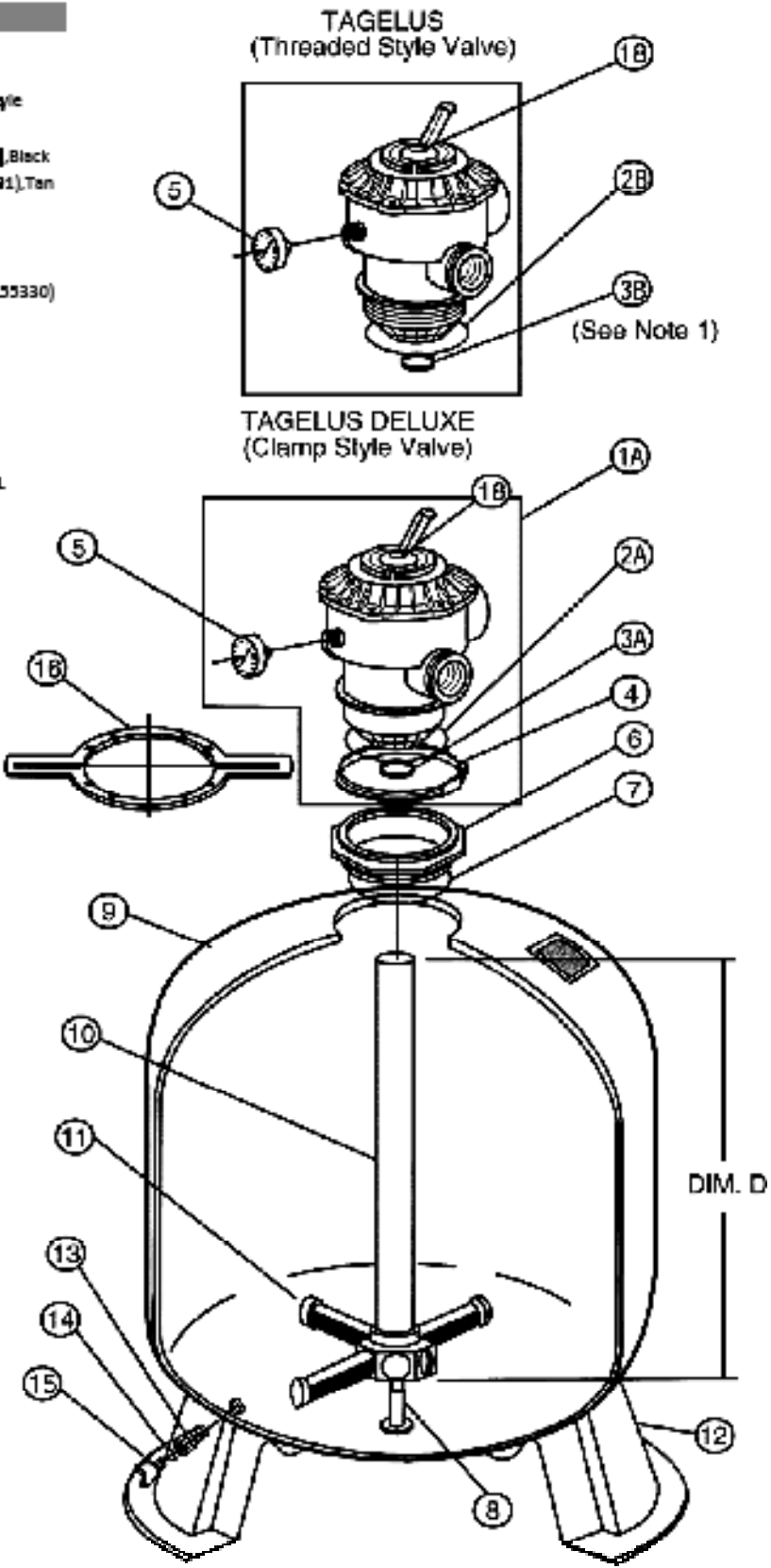
8-PKCE Replacement Elements Sets
 7-Full Grids + 1-Partial Grids

46206	36 SF
46207	48 SF
46208	60 SF
46209	72 SF

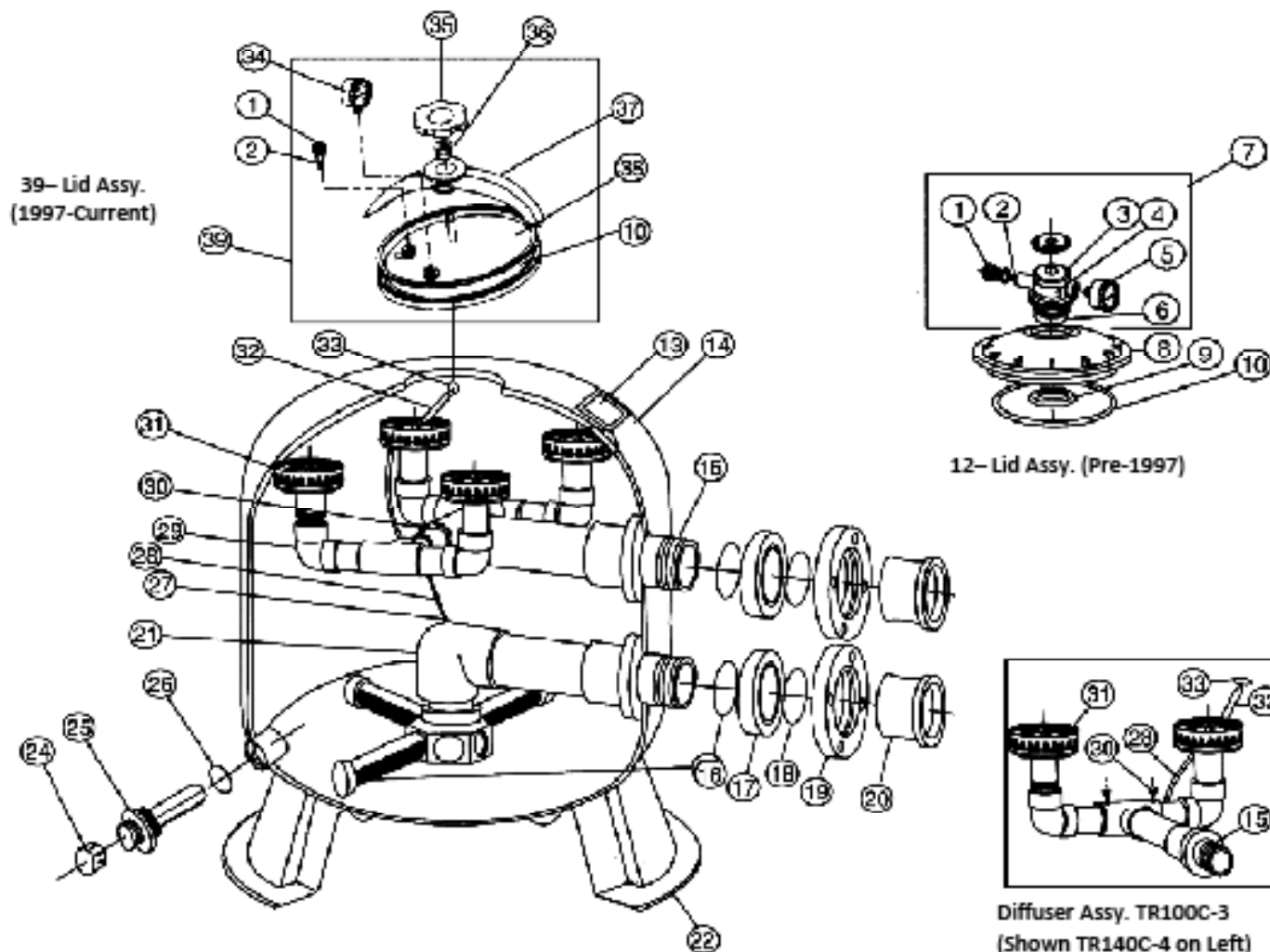
Key	Part#	Sku	Description
Multiport Valves			
NOTE: Valves Vary by Model & Year			
Threaded Openings Are NOT Interchangeable			
1A	262306	62E308	MPV 1-1/2" Ports 6-Way Clamp Style
1A	261383	62E309	MPV 2" Ports 6-Way Clamp Style
1B	261380	62E414	MPV 1-1/2" Ports 6-Way Thr. Thd. (1991-), Black
1B	261324	62E203	MPV 1-1/2" Ports "V" Thd. (Pre-1991), Tan
2A	272341	62E074	O-Ring 4-3/4", Valve/Tank
2A	273333	62E222	O-Ring 6-1/2", Valve/Tank
2B	134693	62E031	O-Ring 3-3/4", Valve/Tank
3A	0-301	62493	O-Ring 2-3/8", Valve/Standpipe (155330)
3B	113064	62E736	O-Ring 1-7/8", Valve/Standpipe
4a	112363	62E418	Valve Clamp, 6-1/2"
4b	112360	62E063	Valve Clamp, 8-3/8"
3	44311	44311	PSI Gauge (198203)
5a	134333	62E046	Tank Adapter, 6" Ballress Thd.
5b	113223	62E012	Tank Adapter, 6" "V" Threads
5c	134321	62E047	Tank Adapter, 8-1/2" Ballress Thd.
7a	0-163	62C02	O-Ring 3-3/4", Adapter (204033)
7b	0-463	62498	O-Ring, 8-1/2", Adapter (200619)
8	113002	622303	Stabilizer Pin
9			NOTE: Tank Varies by Model & Year
10a	113060	62E023	Standpipe, 12-7/8"
10b	113433	62C036	Standpipe, 14-7/8"
10c	113061	62E022	Standpipe, 17-3/4"
10d	113062	62E021	Standpipe, 19-7/8"
10e	113063	62E020	Standpipe, 22-3/8"
10f	113123	62C008	Standpipe, 27-1/4"
10g	113299	622460	Standpipe, TAGED (2007-)
11a	113007	44482	Latex I 3-11/32"
11b	112290	44362	Latex I 6-11/16"
11c	112202	44480	Latex I 9-1/8"
11d	130023	622305	Latex I (1/4 Turn), TAGED (2007-)
11e	130020	622013	Latex I, Clear Pin
12a	134626	62E029	Tank Base
12b	134396	62E043	Tank Base (TAGED)
13a	134698	44783	Spigot, 3/4" NPT
13b	134693	44786	Spigot, 1/2" NPT
13c	112228	44978	Spigot, 2" NPT
14a	0-130	62C08	O-Ring, Drain Plug (192113)
14b	134871	44979	O-Ring, Drain Plug (TAGED)
13	134699	16204	Drain Plug, 1/4" NPT
16a	134312	44930	Lid Wrench 6-1/2"
16b	113608	62E094	Lid Wrench 9"
18	272399	62E077	Label

NOTE: Parts vary by model and year:
 Pre-1991 models have a "V" threaded opening with tan fits.
 1991-Current have a ballress threaded opening with black fits.
DO NOT ATTEMPT TO INTERCHANGE THREAD TYPES!

CONSULT FACTORY FOR SPECIFIC REPLACEMENT PARTS
 Pentair Water Pool & Spa (800) 831-7133
 For questions about tanks, valves, clamps, adapter rings and stand pipe replacement parts.

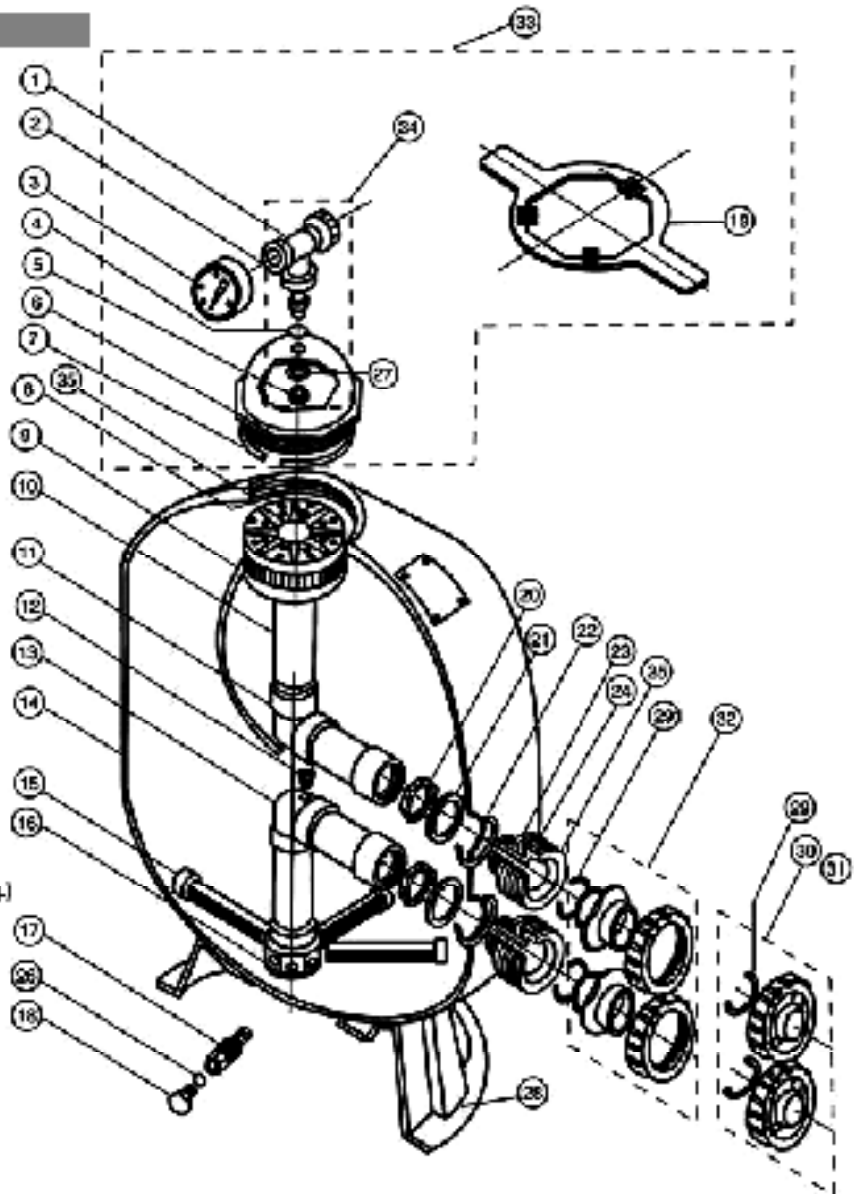


Pentair Sand Filters Triton III



Key	Part#	SKU	Description	Key	Part#	SKU	Description
1	273312	44627	Air Release	23	132262	44480	Latex, 3-1/8"
2	0-628	66329	O-ring, Air Bleeder [273312]	23	134340	44481	Latex, 12"
3,7	273364	44369	Body, Air Valve (Mounted)	24	134871	44579	Drain Cap 3-1/2"
3	44311	44311	PSI Gauge (290000)	25	132220	44578	Spigot, 2"
6	0-363	66332	O-ring, Valve Adapter [Rep#8134494/300000]	26	0-63	66333	O-ring, Spigot [274484]
8	134373	602394	Cover, 3-1/2"	27	134440	44138	Connector, Air Tube
9	134412	44341	Nut, Bolthead	28	134437	44832	Air Tube, TR100C3
10	132389	44362	Square Ring, 3-1/2"	28	134438	44832	Air Tube, TR140C3
11	134327	44991	Lid Wrench	29	134818	622704	Diffuser, TR140C3 (2-res.)
12	134806	44172	Cover Kit, 3-1/2" [Pre-1997]	30	273371	44735	Screw, Upper Piping
13	134807	622583	Upper Piping Assy., TR100C3	31	134399	44126	Diffuser
13	134808	622589	Upper Piping Assy., TR140C3	32	134367	44737	Spacer, 6-3/8" TR100C3
16	134803	66343	O-ring, Spacer	32	134368	44738	Spacer, 10-3/16" TR140C3
17	134802	622323	Spacer, 3"	33	134378	44833	Strainer, Air Release
18	134804	608281	O-ring, Flange	34	44310	44310	PSI Gauge [190000]
19	134805	622379	Flange, 3"	35	134381	622374	Knob, Oval Lid
20	134801	622329	Flange Adapter, 3"	36	134382	622469	Spring, Oval Lid
21	134809	622670	Lower Piping Assy. TR100C3	37	134379	622624	Bridge, Oval Lid
21	134810	622586	Lower Piping Assy. TR140C3	38	134376	622620	Cover, Oval (1997-)
22	134386	608043	Tank Base	39	136041	622771	Oval Cover Kit

Key	Part#	Sku	Description
1	134689	44088	Air Release/Tex Assy.
2	134700	44839	Brass Adapter, Air Valve
3	44311	44311	PSI Gauge (198002)
4	O-25	68273	O-ring, Adapter (134661)
5	134654	44480	Nut 3/8", Adapter
6a	134378	44472	Cover, (1991-) Black
6b	134339	44372	Cover, (Pre-1991) Tan
7	O-308	68280	O-ring, Cover (134493)
8a	134378	44883	Strainer, Air Valve (Pre-1999)
8b	138833	613307	Strainer, Air Valve (1999-)
9	CALL		Air Tube (Varies by Model & Yr.)
9a	134398	44183	Diffuser Assy. TR40/34
9b	134399	44186	Diffuser Assy. TR60
9c	134462	44187	Diffuser Assy. TR100
9d	134386	44189	Diffuser Assy. TR140
10a	134883	44861	Upper Piping Assy., TR40
10b	138814	44862	Upper Piping Assy., TR30
10c	134333	44863	Upper Piping Assy., TR60
10d	134426	44864	Upper Piping Assy., TR100
10e	134388	44865	Upper Piping Assy., TR140
11	138836	613307	Connector, Air Tube (2007-)
11a	134881	44866	Lower Piping Assy., TR40
11b	138815	44867	Lower Piping Assy., TR30
11c	134882	44868	Lower Piping, TR60 (Pre-2007)
11d	138894	622652	Lower Piping, TR60 (2007-)
11e	134887	44869	Lower Piping, TR100 & TR140
11f	134889	44870	Lower Piping Assy., TR140
12	CALL		Tank Assy.
12a	132290	44362	Internal, TR40-60 6-11/16" (8-req.)
12b	138893	622659	Internal, TR60 Grey
12c	132262	44480	Internal, TR100 9-1/8" (8-req.)
12d	134340	44481	Internal, TR140 12" (9-req.)
12e	138888	622653	Internal, Clear Pvc
13a	134763	44333	Hub, TR40-60
13b	134433	44333	Hub, TR100-140
13c	132220	44978	Drain Plug 2"
13d	134628	44783	Spigot 3/4" MPT (1993-1996)
13e	134871	44979	Drain Cap 1-1/2"
13f	134629	18294	Drain Plug 1/4" MPT
13g	134881	603474	Drain Plug 1/4"
13h	134312	44990	Lid Wrench (6" Opening)
13i	134310	602349	Lid Wrench (Aluminum)
14	134412	44341	Internal Lockout, 2"
15	134416	44342	Internal Spacer, 2"
16	O-179	68227	O-ring, 2" Bulkhead (134452)
17	134428	44288	External Spacer, 2"
18	134338	64899	Geckel, 2" Bulkhead
18a	134714	602333	Bulkhead kit includes items# 20-23
18b	134883	44889	Bulkhead 2"
18c	O-63	68233	O-ring, Drain Plug (Repl.# 134482/234494)
18d	O-134	68232	O-ring, Drain Plug (1993-1996) 192113
19	134418	48980	Washer 3/8", Adapter
20	CALL		Filter Base
21	O-63	68233	O-ring, Valve Adapter (234494)
22	271892	44178	Adapter, 2" Thd.
23	271894	44920	Adapter, 1-1/2" Thd.



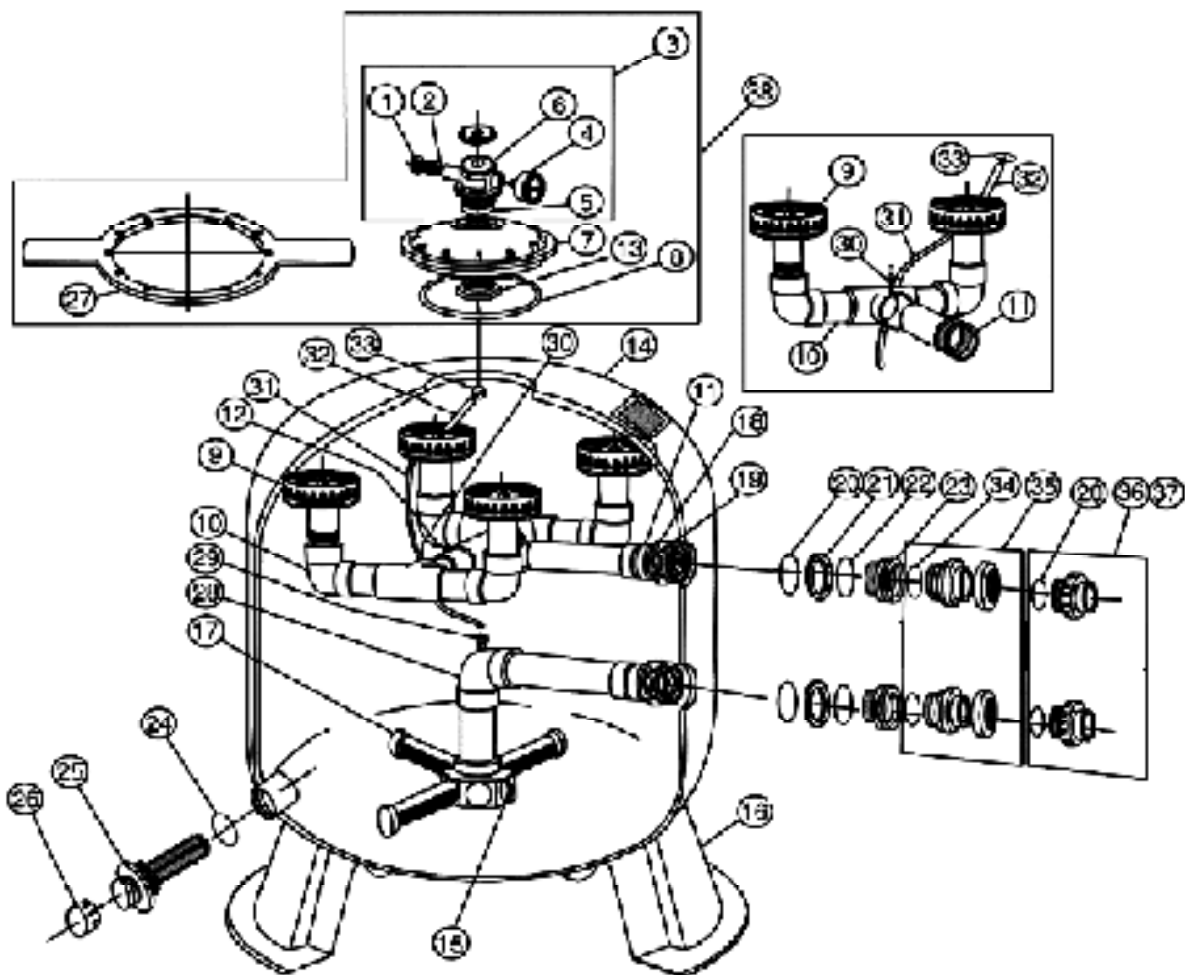
NOTE: Parts vary by model and year:
Pre-1991 models have a "V" threaded opening with tan lids.
1991-current have a ballless threaded opening with black lids.
DO NOT ATTEMPT TO INTERCHANGE THREAD TYPES!

CONTACT FACTORY FOR SPECIFIC REPLACEMENT PARTS

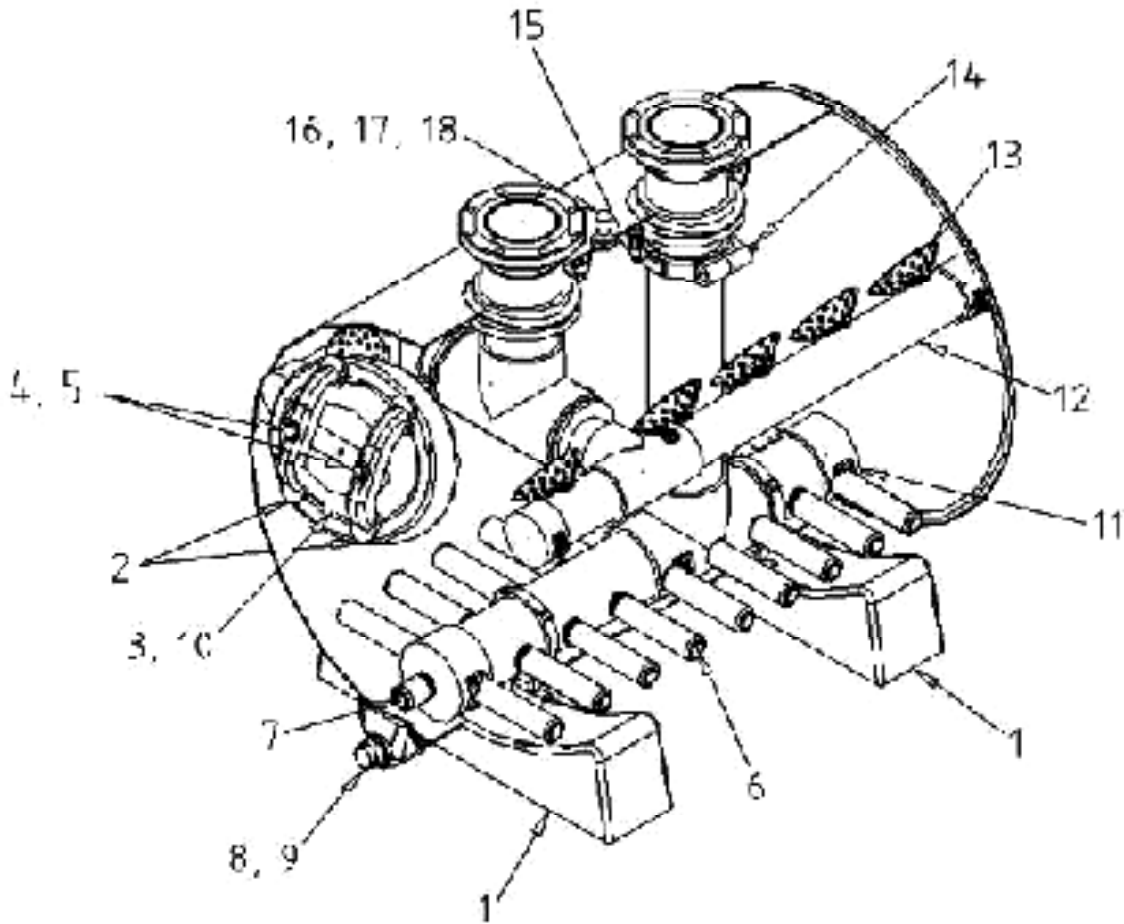
Pentair Water Pool & Spa (800) 833-7133

For questions about ton ks, lids, clamps, adapter rings and stand pipes replacement parts.

Key	Part#	Sku	Description
32	271896	44821	Adapter, 1-1/2" 5sp
32a	134641	613348	Cover Kit, 6" (1991-) Black
32b	134627	683041	Cover Kit, 6" (Pre-1991) Tan
32c	134636	44172	Cover Kit, 8-1/2" Black
34	134627	683042	Fitting Package
30a	134611	682346	Spacer, Strainer 3-3/4" TR40
30b	134612	44889	Spacer, Strainer 4-1/2" TR100-60
30c	134613	682343	Spacer, Strainer 3-1/2" TR100
30d	134614	682344	Spacer, Strainer 3" TR140

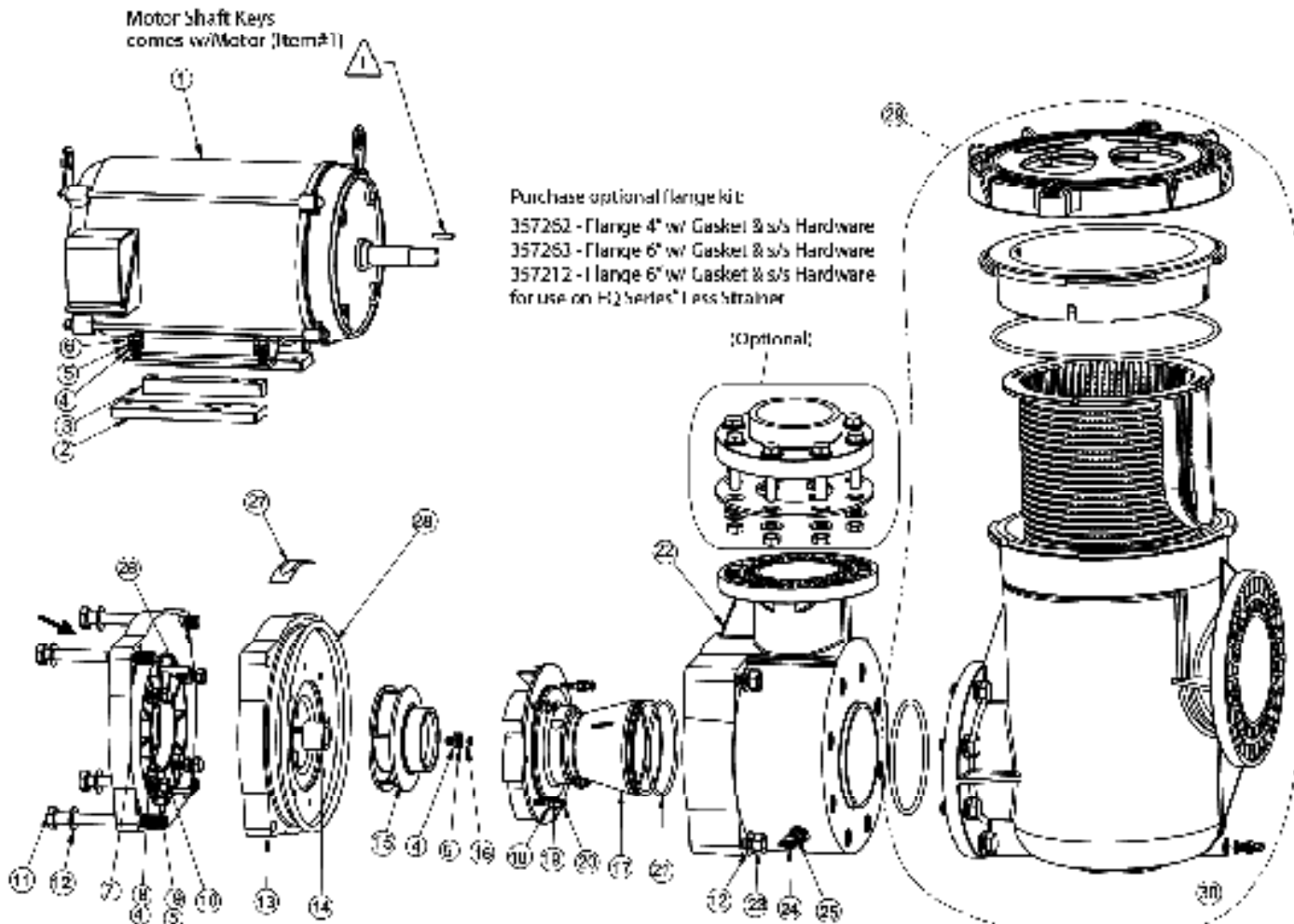


Key	Part#	Sku	Description	Key	Part#	Sku	Description
1	Z73012	44627	Air Release	23	134403	44085	Bulkhead, 2"
2	Z73013	66329	Screw, Air Bleeder	24	O-63	66323	O-ring, Spigot (Z74494)
3	Z73064	44169	Body, Air Valve (Manual)	25	132220	44578	Spigot, 2" NPT
4	44311	44311	PSI Gauge (290035)	26	134871	44579	Brass Cap 1-1/2"
5	Z74493	622383	O-ring, Air Valve	27	134027	44581	Lid Wrench
7	134373	602384	Cover, 8-1/2"	28	134887	44852	Lower Piping Assy. TR100C
8	132385	44362	Square Ring, Cover	28	134489	44870	Lower Piping Assy. TR140C
9	134399	44185	Driftuer	29	130036	633773	Connector, Air Tube
10	136203	602285	Upper Piping Assy.	30	Z73071	44785	Screw, Upper Piping
11	136344	602288	Inlet, Upper Piping	31	134457	44832	Air Tube, TR100C
12	136204	602287	Connecting Assy.	31	134458	44832	Air Tube TR140C
13	134412	44341	Mat, Bulkhead	32	134087	44737	Spacer, 6-3/8" TR100C
14	134430	602360	Tank Assy., TR100C	32	134088	44738	Spacer, 30-3/16" TR140C
14	134431	602359	Tank Assy., TR140C	33	134078	44883	Strainer, Air Release
15	134405	44335	Hub	33	130033	633087	Strainer 3/8", Air Release
16	134396	603043	Tank Base	33	134078	44883	Strainer, Air Release (Pre-1999)
17	132262	44400	Lateral, 9-1/8"	33	130033	633087	Strainer, Air Release (2999-)
17	134340	44401	Lateral, 12"	34	O-63	66323	O-ring, Bulkhead (Z74494)
18	134412	44341	Mat, Bulkhead	35	Z71026	44521	Union Kit
19	134415	44342	Interval Spacer, 2"	36	Z71032	44178	Adapter 2" Thal.
20	O-179	66327	O-ring, Spacer (134482)	37	Z71034	44520	Adapter 1-1/2" Thal.
21	134488	44238	External Spacer, 2"	38	134806	44172	Cover Kit, 8-1/2" Black
22	G-38	64959	Gasket, Bulkhead (134438)				

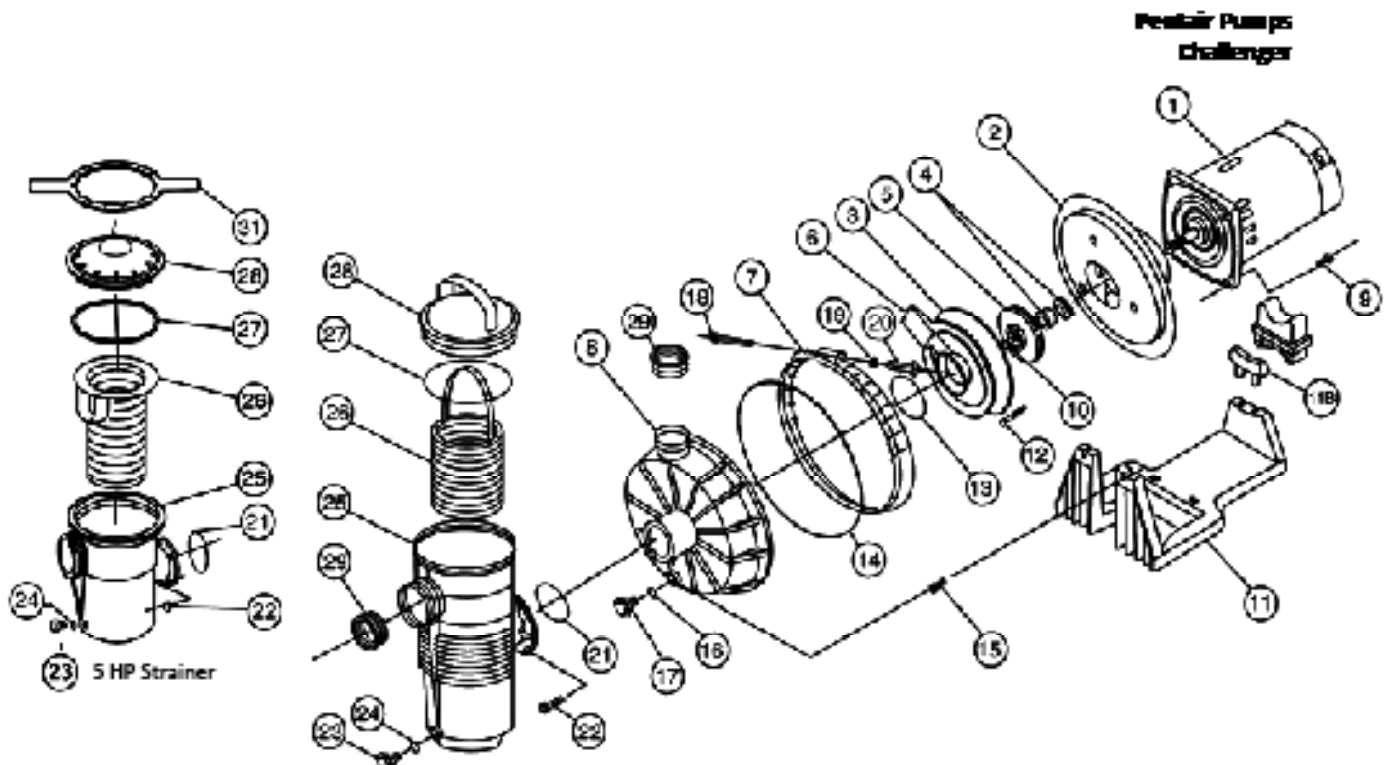


Key	Part#	Sku	Description
1	B484261-32	CALL	Tank/Strainer Base (Black)
2	B48236	E17120	Yoke Handles
3	B4832A-N	E17121	Cover, Access Opening
4	B4831	E17122	Knob, 3/4" Yoke Handles
5	94850	E17123	Washer 3/4", Knobs
6	B4804	E17124	Lateral, 10" each.
7	B4803	E17125	Lateral, 3-1/2" each.
8	B4830	E17126	Drain
9	B4851X	E17127	Drain Plug, 1-1/2"
10	B4831	E17128	O-ring, Access Cover
11	B4806	E17129	Diffuser Head
12	B4870	E17130	Coupling Assy.
13	B4878	E17131	Air Release Assy.
14	B4878AN	E17132	Cap, Air Valve
15	B4878AN	E17133	Threaded Nipple, 1/2"
16	B4878AN	E17134	Bulkhead Fitting, 1/2"

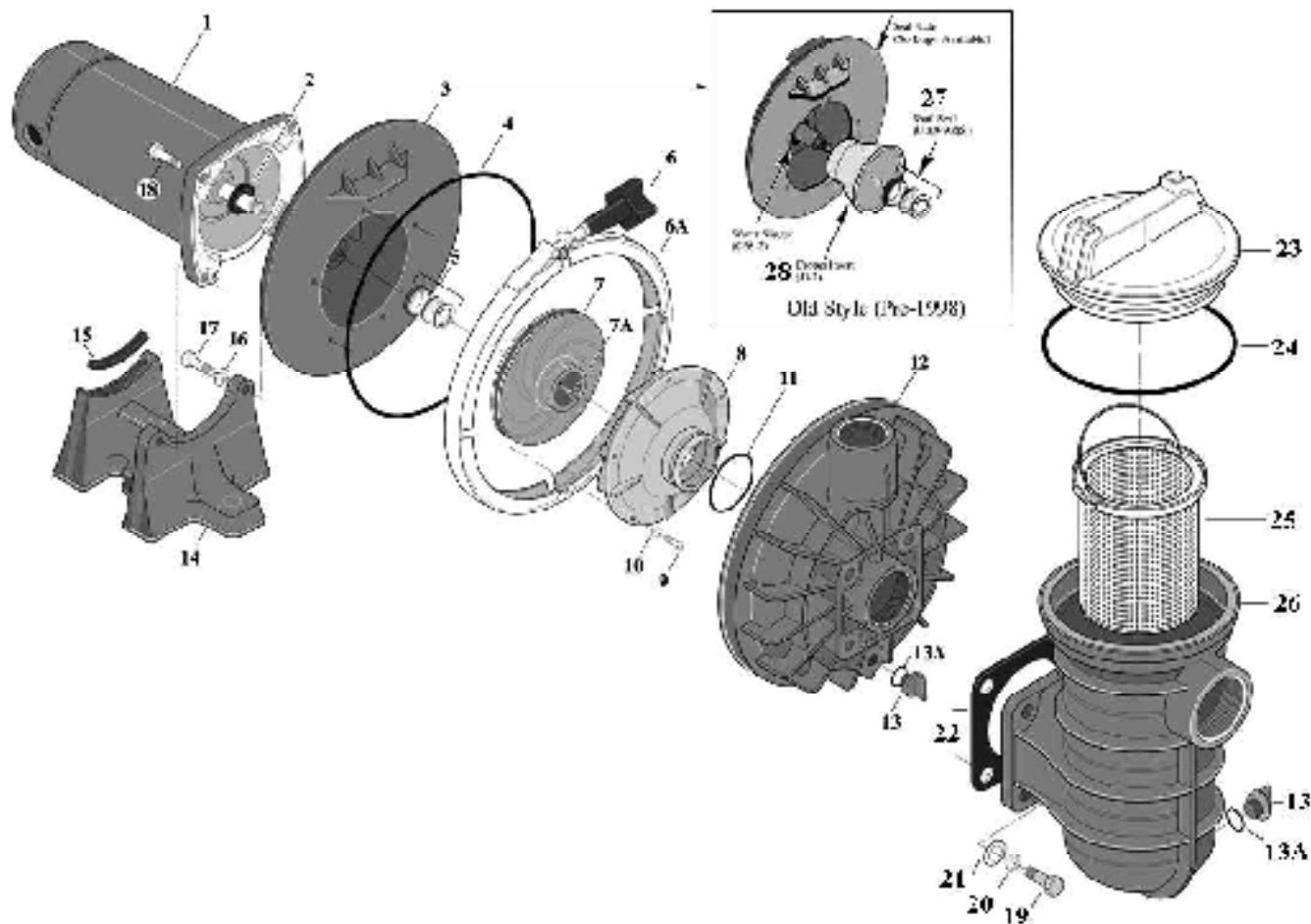
Lateral Configuration by Model#		
Number of Laterals Required:		
Item# Model	B4804 10" Laterals	B4803 3-1/2" Laterals
THIS4801	34	2
THIS4804	20	2
THIS4272	38	3
THIS4284	34	3
THIS4296	38	3



Key	Part#	Sku	Description	Key	Part#	Sku	Description
1	Motor	CALL	3 to 15HP Single or 3-Phase	15a	308827	617643	Impeller EQW300 & EQ1500
2	306713	632842	Motor Support (Req. 2)	15b	308828	622878	Impeller EQW300
3	306712	632843	Support Adapter	16	871887	621137	Lock Screw, Impeller
4	872184	48200	Washer 3/8"	17a	308832	617646	Diffuser EQ300
5	96220800	628892	Lock-washer, Adapter	17b	308833	622832	Diffuser EQ730-1500
6a	A135	48063	Nut 3/8" x 3/4"	17c	306715	617648	Diffuser EQW300 & EQ1500
6b	308873	48066	Nut 3/8" x 1-1/2"	17d	307273	632848	Diffuser EQW300
7	306750	632037	Motor Adapter	18	31888300	611147	Washer 1/4"
8	873842	628919	Washer 1/2"	20	308815	617649	Screw 1/4" x 1-1/2"
9	308823	622390	Lock-washer, Adapter	19	872172	629114	Lock-washer 1/4"
10a	304290	48063	Nut 3/8" x 1"	20	306757	617620	Screw, 1/4" x 1-3/4"
10b	873843	628130	Nut 1/2" x 1-3/4"	21	308837	617623	O-ring, Diffuser
11	306710	632844	Nut, 3/8" x 6-1/2"	22	306715	617660	Pump Housing
12	306789	617636	Washer 11/16"	23	306776	632843	Nut 3/8"
13	306753	617641	Seal Plate	24	134629	48288	Drain Plug
14	8717225	621367	Pump Seal	25	D-130	82028	O-ring, Drain Plug (152115)
15a	308830	617642	Impeller EQ300	26	308860	617621	Dowel Pin 3/16" x 1-3/4"
15b	308829	622844	Impeller EQ730	28	306780	617622	O-ring, Seal Plate
15c	308828	617644	Impeller EQ1500	29	348813	617623	Strainer 6" Parts

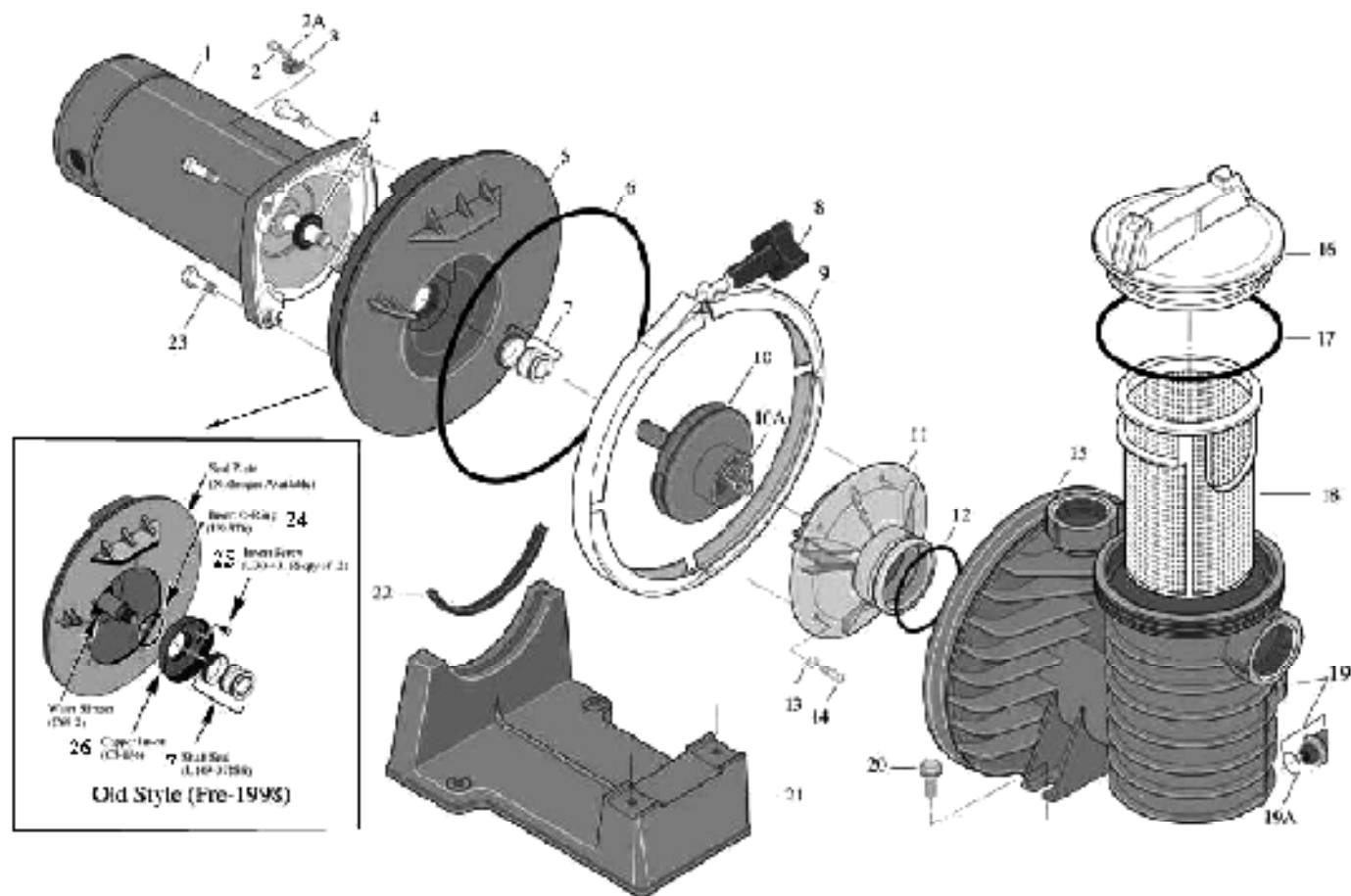


Key	Part#	SKU	Description	Key	Part#	SKU	Description
1	Motor		Square Flange	1a	333069	600168	3HP
2a	336363	48736	Seal Plate	7a	336320	48217	Housing Clamp Assy.
3.1— Mounting Plates: High Pressure Pumps				7b	334629	48218	Housing Clamp (No Knob)
3a	355384	40583	1/2 HP	8a	333468	600168	Housing, Black
3b	355317	40584	3/4 HP to 3HP	8b	333469	622664	Housing, Almond
3.2— Mounting Plates: High Flow Pumps				9	334290	48063	Motor Nut, 3/8"
3c	355028	601009	1/2 to 3/4 HP	10	336369	48217	Locking Screw, Impeller
3d	355078	601008	1 to 1-1/2HP	11	336367	601001	Pump Base
3e	355095	601007	2HP	11a	336367	600168	Motor Spacer
3f	355495	600371	3 HP	12	336334	48001	Screw, Diffuser
4	PS-288V	48677	Pump Seal (3343435)	13	O-391	60401	O-Ring, Diffuser (300336)
5.1— Impellers: High Pressure Pumps: Full-Rate (Up-Rate)				14a	O-419	60023	O-Ring, Housing (Pac-Pak)
5a	355147	40390	1/2HP (3/4UR)	14b	O-386	600123	O-Ring, Housing (Square Ring) 3.00029
5b	355187	40391	3/4HP (1UR)	15	336321	48219	Screw, Base
5c	355369	40392	1HP (1-1/2UR)	16,24	O-130	60028	O-Ring, Drain Plug (192115)
5d	355315	40393	1-1/2HP (2UR)	17,23	134699	48088	Drain Plug, 1/4"
5e	355604	40394	2HP (2-1/2HP)	18	132062	48088	Bolt, Clamp
5f	355544	40271	3HP	19	872179	600217	Washer, Clamp Bolt
5.2— Impellers: High Flow Pumps: Full-Rate (Up-Rate)				20a	174682	48029	Knob, for T-Bolt Clamp (New)
5g	355043	40396	1/2HP (3/4UR)	20b	172023	48487	Knob, for Bolt Clamp (Old)
5h	355067	40397	3/4HP (1UR)	21	O-381	60483	O-Ring, Strainer Flange (300330)
5i	355074	40398	1HP (1-1/2UR)	22	334263	600136	Screw, Strainer
5j	355086	601006	1-1/2HP (2UR)	23a	336368	48779	Strainer Pad
5k	355093	601005	2HP (2-1/2UR)	23b	336368	600167	Strainer Pad, 3HP 3" Parts
5l	355068	600370	3HP (3UR)	25a	B-219	36343	Bracket, 1/2 to 2-1/2HP (336318)
6.1— Diffusers: High Pressure Pumps				25b	333441	601000	Bracket, 3HP
6a	355148	40240	1/2HP	26c	336901	600472	Bracket, 3HP
6b	355188	40241	3/4 to 1HP	27a	O-382	60024	O-Ring, Lid (Pac-Pak Pre-2588)
6c	355270	40242	1-1/2HP	27b	O-318	60110	O-Ring, Lid (Pestair) 300013
6d	355545	40243	2 to 3HP	27c	132369	48062	Square-Ring, Lid 3HP
6.2— Diffusers: High Flow Pumps				28a	336361	48001	Strainer Lid
6e	355029	601004	1/2 to 3/4 HP	28b	336362	600166	Strainer Lid, 3HP
6f	355077	601003	1HP to 1-1/2HP	29	332377	60040	Reducer Bushing
6g	355094	601002	2HP to 2-1/2HP	31	134327	48001	Lid Wrench, 3HP

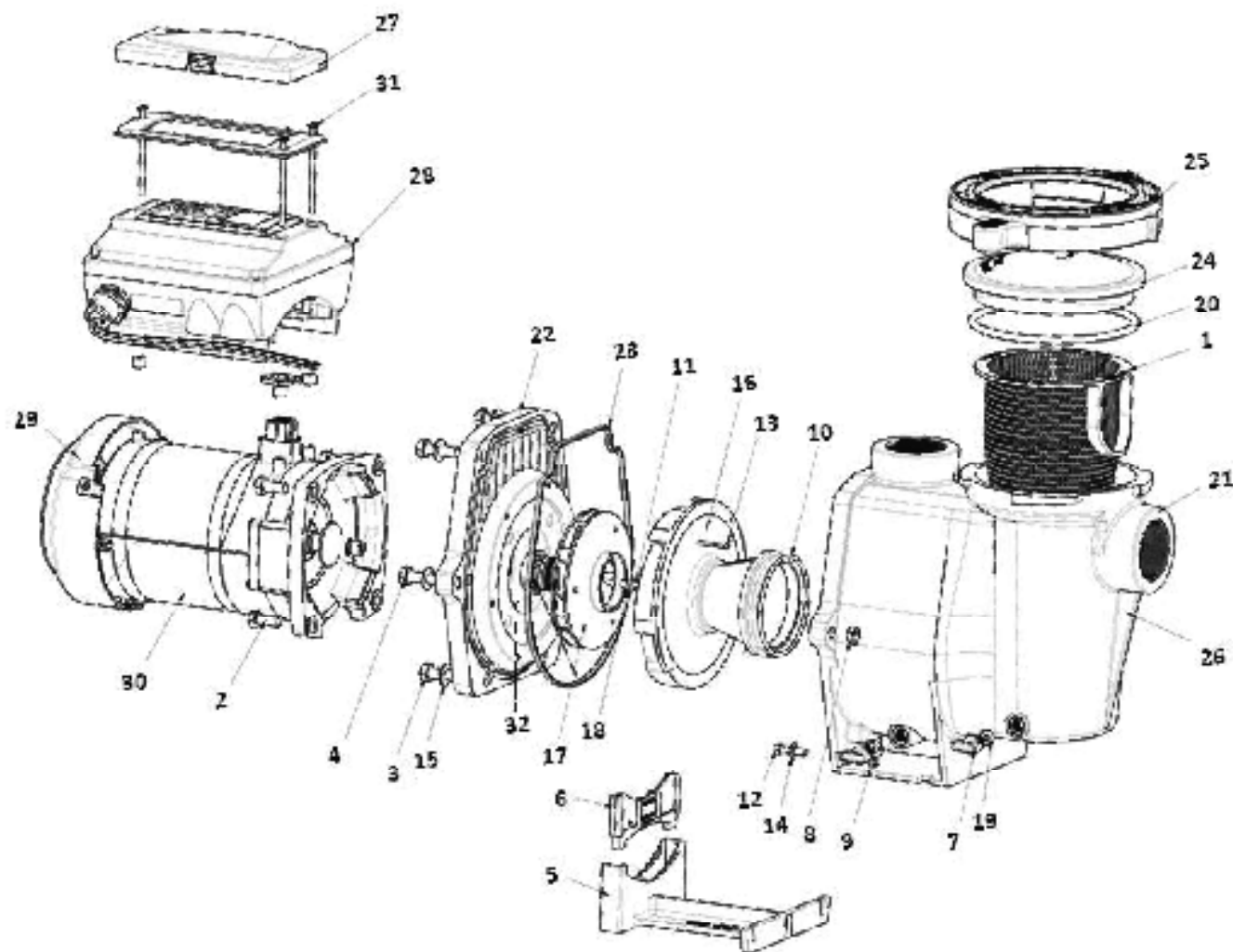


Key	Part#	SKU	Description	Key	Part#	SKU	Description
1	Motor		Square Flange	12	CG6-47P1	48817	Pump Housing
2	17331-0000	601201	Water Slinger	13	16204	16204	Drain Plug, 1/4" Generic
3	C283-158P	48748	Seal Plate Kit (incl. 4 & 5)	13a	U178-528P	48288	Drain Plug, 1/4"
4	O-240	60033	O-ring, Seal Plate (US-228A)	13b	O-35	60675	O-ring, Drain Plug (US-329)
4, 11, 22, 24		60086	O-ring Kit	14a		38005	Motor Base, 36-Frame
5	PS-200V	48677	Pump Seal (17304-03005)	14b	C104-42P	601223	Motor Base, 48-Frame
6	WC36-22	44831	Crank, Clamp	14c	C104-41P	601236	Motor Base, 3HP Only
6a	CL9-37A	48222	V-Clamp, Housing	15	C13-11	601277	Spacer, Motor Pad
7 - Impellers			HP Full-Rate (Up-Rate)	16	U43-4255	48280	Washer, Base
	C105-92PS	40507	1/2HP (3/4UR)	17a	U30-7655	602021	Bolt, Motor/Base
	C105-138PEB	40508	3/4HP (1UR)	17b	U30-3955	60005	Bolt, Motor/Base 3HP
	C105-137PEB	40509	1HP (1-1/2UR)	18a	U30-7755	601118	Bolt, Motor/Housing
	C105-137PDBA	40501	1-1/2HP (2UR)	18b	U30-7755	60005	Bolt, Motor/Housing 3HP
	C105-137PDA	40504	2HP (2-1/2UR)	19	U30-6455	601133	Bolt, Strainer
	C105-137PKBA	40505	3HP	20	U43-1155	601132	Lock-washer, Strainer
	C105-137PEBA	40499	2-Speed 1/4 to 1-1/2	21	U43-4155	601243	Washer, Strainer
7a	C30-12	48218	Impeller Screw (1-1/2 to 3HP)	22	G-99	64713	Gasket, Strainer (C20-123)
8a	CL-217P	600063	Diffuser Up-Rate 1/2 to 3/4HP	23	C3-138P1	48372	Cover
8b	CL-216P	48282	Diffuser Full-Rate 1/2 to 3/4HP	24	O-218	60034	O-ring, Cover (US-229)
8c	CL-200PA	48283	Diffuser 1 to 2-1/2HP	25a	B-106	36440	Bracket (CL20-33P)
9	U30-34255	601145	Screw, Diffuser	25b	B-33	36438	Bracket, Coarse Mesh
10	U43-2155	601117	Lock-washer, Diffuser	26	CL33-33P1	48800	Strainer Body
11	O-48	60032	O-ring, Diffuser (US-226)	27	PS-300V	48676	Pump Seal (Pre-1998) US903-9355
				28	E3-2	48728	Copper Insert, Seal (Pre-1998)

Pentair/Sta-Rite Pumps
Dura-Glas II & Max-E-Glas II

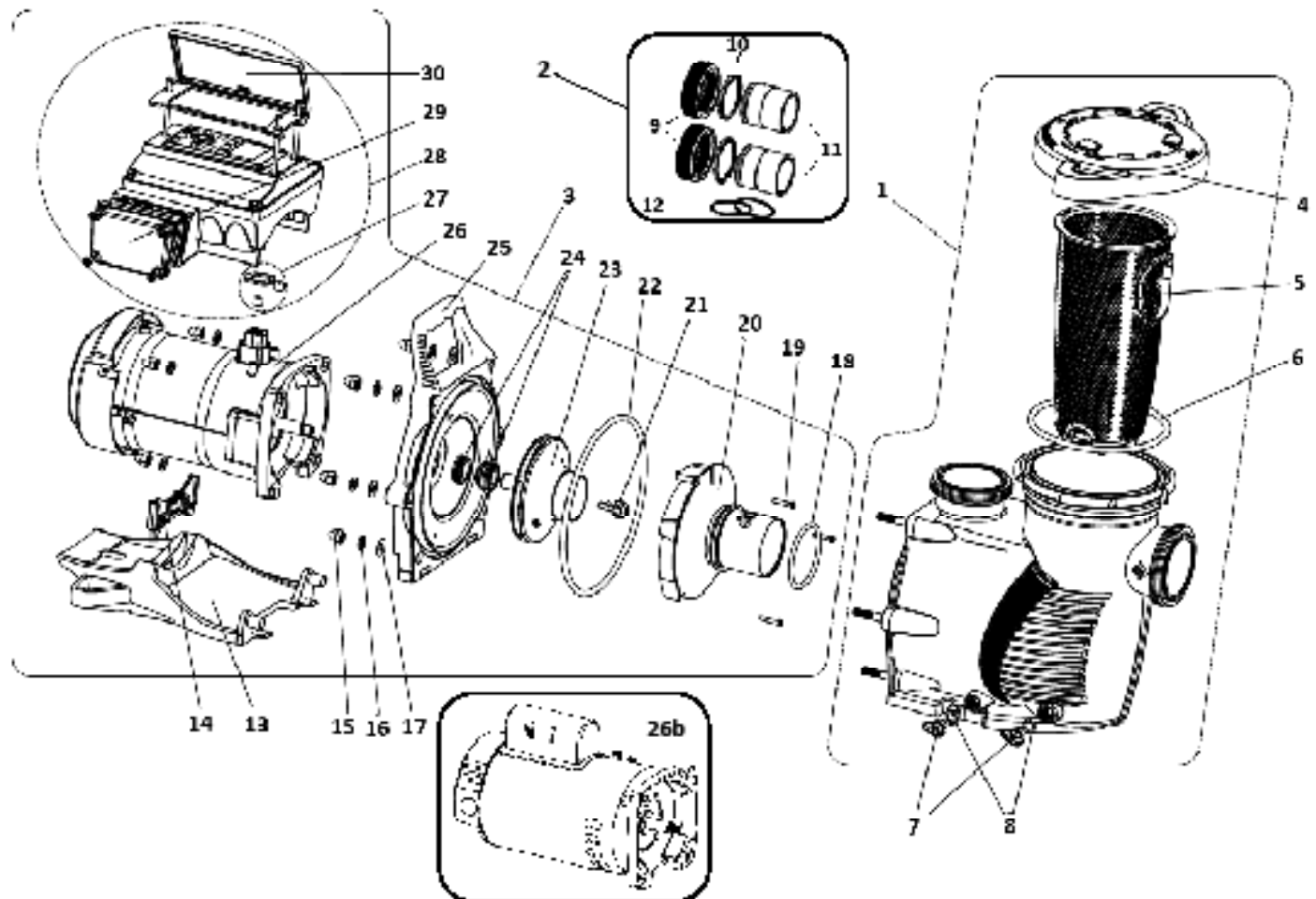


Key	Part#	Sku	Description	Key	Part#	Sku	Description
1	Motor		Square Flange	10c	33003-1426	628474	O-Ring, Impeller
2	U30-62255	628134	Bolt, Motor/Seal Plate	11a	CI-271.P1	62286	Diffuser 1 to 1-1/2HP
2a	U43-2255	621629	Lock-washer, Motor	11b	CI-271.P	62287	Diffuser 1-3/4 to 3HP
3	U17-368	621178	Branding Lug	12	O-83	62031	O-ring, Diffuser (US-374)
4	17331-8000	621201	Washer Slinger	13	U43-2155	628117	Lock-washer, Diffuser
5	C203-154P	40729	Seal Plate Kit (incl. #5 & 7)	14a	U30-34255	628148	Screw, Diffuser 3/4 to 1HP
6	O-240	62033	O-ring, Seal Plate (US-228A)	14b	U30-52255	628848	Screw, Diffuser 1-1/2 to 3HP
6,12,17		62838	O-Ring Kit	15	CI76-25P	621228	Pump Housing
7	PS-280V	40678	Pump Seal (37403-80275)	16a	CI-123P	62373	Cover
8	WC36-22	44831	Knick, Clamp	17	O-12	62108	O-ring, Cover (US-373)
9	CI9-37A	40222	V-Clamp	18	B-213	36437	Bracket (CI-38P)
10 — Impellers			Full-Rate (Up-Rate)	19	16204	16204	Drain Plug, 1/4"
	C105-238P	40495	3/4HP (1UR)	19a	U178-528P	62288	Drain Plug, 1/4" w/O-ring
	C105-238PB	40496	1HP (1-1/2UR)	19b	US-308	62679	O-ring, Drain Plug
	C105-238PDBA	40498	1-1/2HP (2UR)	20	U30-91855	62630	Bolt, Base
	C105-238PDCA	622581	1-3/4UR	21a	CI84-75P	621243	Motor Base, 36-Frame w/Spacer
	C105-238PEBA	40511	2HP (2-1/2UR)	21b	CA-78P	CALL	Motor Base, 48-Frame (No Spacer)
	C105-238PLA	40512	3HP	22	CI3-43	62034	Spacer Pad, Motor Base
	C105-138PEB	40508	2-Speed 1/8 to 1HP	23a	U30-7455	62632	Bolt, Motor
	C105-137PEBA	40499	2-Speed 1/4 to 1-1/2HP	23b	U30-9955	62634	Bolt, 3HP Motor
	C105-137PDBA	40501	2-Speed 1/2 to 2HP	24	US-376	62042	O-Ring, Insert
10a	37337-8000	62821	Impeller Screw	25	U30-80155	628133	Screw, Insert
10b	37337-8001	62837	Impeller Screw 2-speed 1-1/2HP	26	CI-126	62722	Seal Insert 55



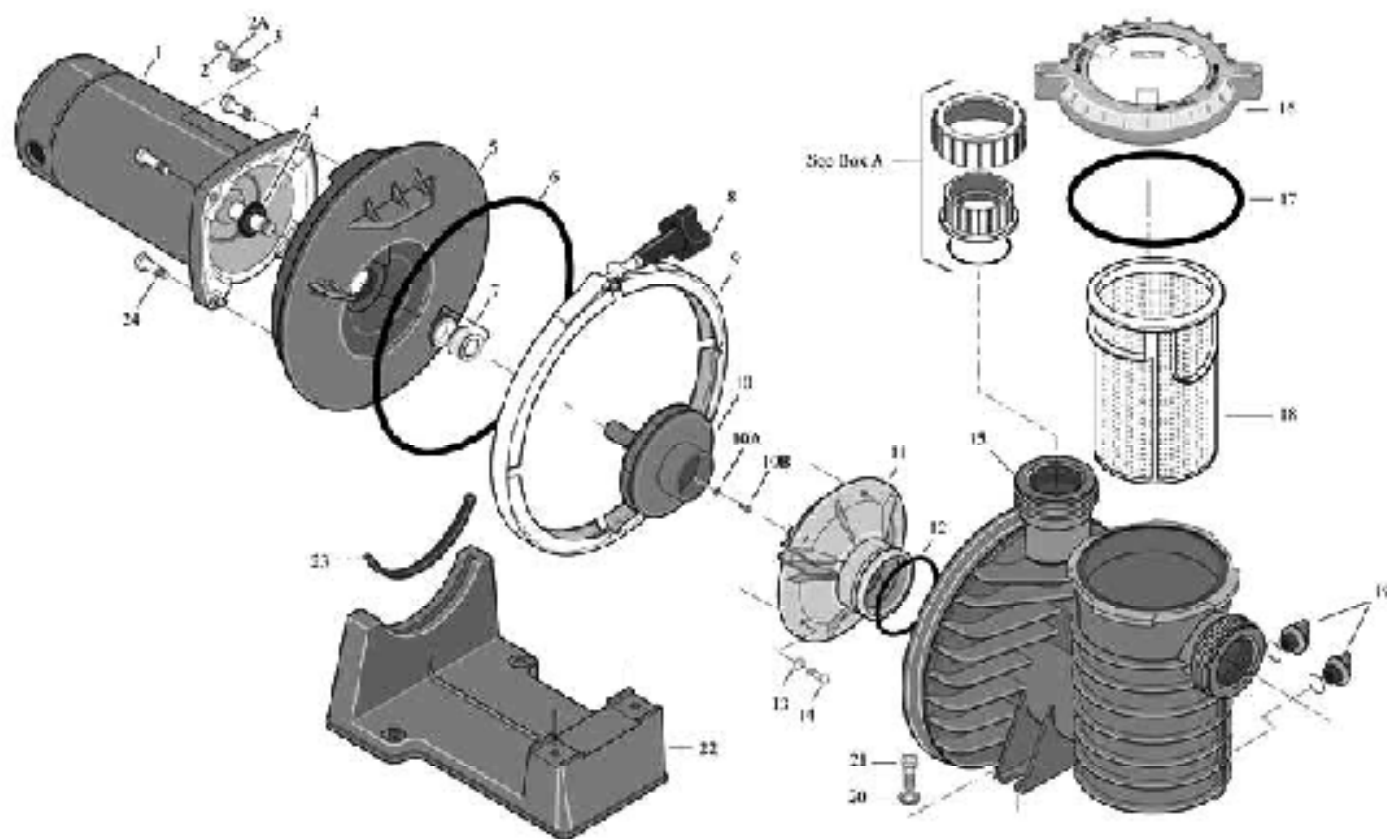
Key	Part#	Sku	Description	Key	Part#	Sku	Description
1	8-199	36288	Washer (070387)	19	O-190	62228	O-Ring, Drain Plug (152113)
2	878428	608888	Ball, Motor	20	O-338	62110	O-Ring, Cover (300813)
3	878430	60839	Ball, Seal Plate	21	338813	622719	Pump Housing (15839)
4	878431	609188	Ball, Housing	22a	338201	622694	Seal Plate
5	878527	601138	Motor Base	22b	338202	629437	Seal Plate Kit (incl. Seal & Gasket)
6	878528	601137	Base Adapter	23a	6-413	64648	Gasket, Seal Plate (Pre-2008) 307182
7	871131	601136	Drain Plug	23b	337188	629464	Gasket (Black), Seal Plate (2008-)
8	871483	44488	Mat, Housing	24a	337131	629336	Strainer Cover
9	871486	603247	Mat, Base	24b	337136	622344	Cover, Chlorine Resistant
10	O-329	66334	O-Ring, Diffuser (313227)	25	337188	622484	Lid Clamp
20,26,29		85882	O-Ring Kit	26	337248	CALL	Strainer Housing Kit
11	871622	601139	Screw, Impeller	27	338881	CALL	Cover, Pump Controls
12	871627	609187	Screw, Base	28a	338721	617762	Drive Assy. VF-3800 Controls
13	871660	601140	Screw, Diffuser	28b	338201	617768	Drive Assy. VS-3800 Controls
14	872183	603272	Washer, Base	28c	338321	629448	Drive Assy. SVRS Controls
15	872184	40900	Washer, Seal Plate	29	332481	CALL	Motor Fan
16	872528	601199	Diffuser	30	3381833	CALL	Motor, Variable Speed
17	873131	601287	Impeller	31	338612	628638	Cover Hardware
18	873713	622188	Rubber Washer	32	FS-1888W	48675	Pump Seal (8717345)

Pentair Pumps
IntelliFlo XF & WhisperFlo XF

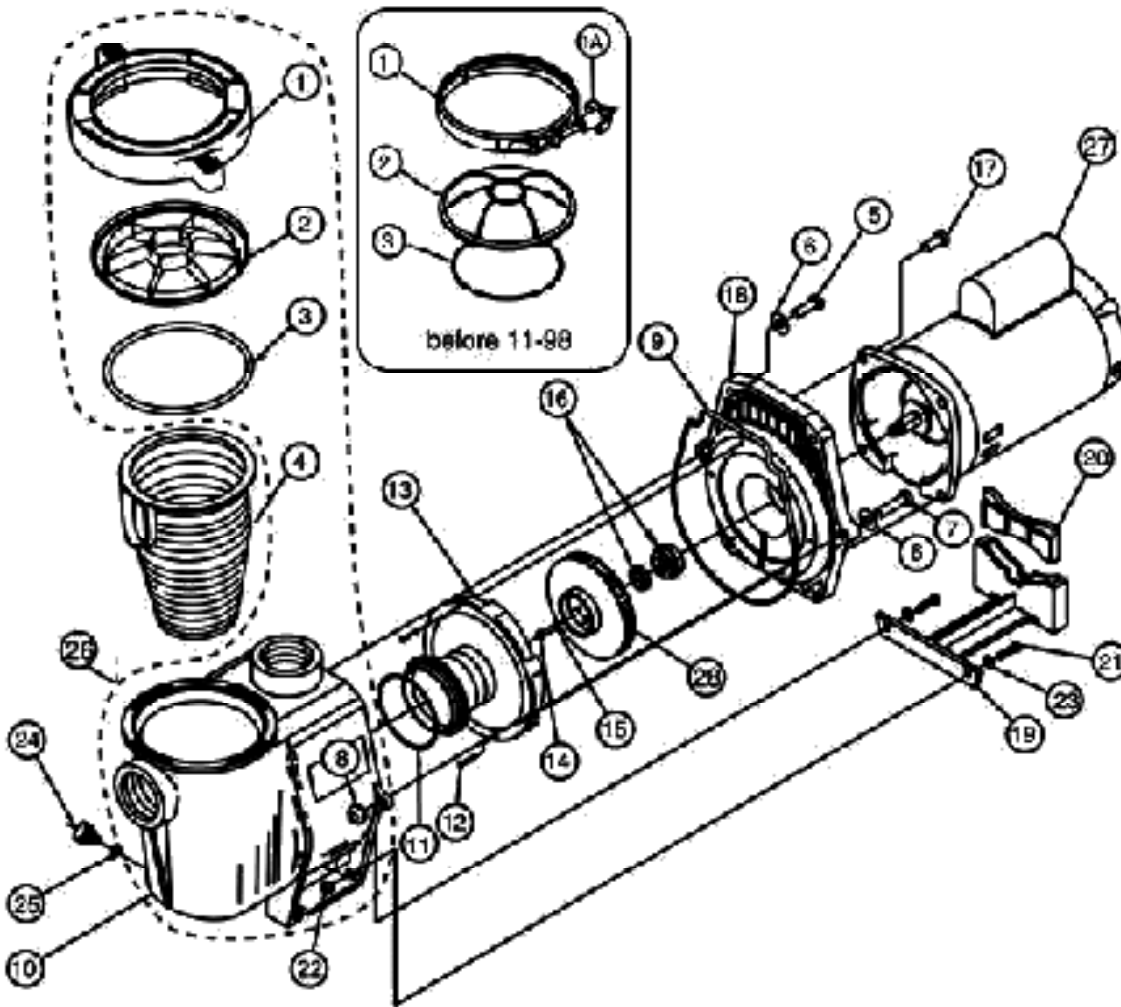


Key	Part#	Sku	Description	Key	Part#	Sku	Description
1	400000	CALL	Wet End Assembly	20	Diffusers- Varies by Model		
2	430020	CALL	Union Kit	20a	400010Z	CALL	IntelliFloXF
3	Power End Assy w/Drive & Motor- Varies by Model			20b	400010Z	CALL	WhisperFloXF 8 & 12
3a	400001Z	CALL	IntelliFloXF Variable Speed	20c	400011	CALL	WhisperFloXF 20
3b	400012Z	CALL	WhisperFloXF Stal. E.2HP				Models: XFB-12, XF30, XFE8-30, XFDS8-30, XFJ8-12, XFK8
3c	400013Z	CALL	WhisperFloXF Stal. E.3HP				Models: XFE20, XFJ20, XFK12
3d	400002Z	CALL	WhisperFloXF High E	21a	37337-6280	628591	Screw, Impeller (Reverse Thrd.)
4	400006	CALL	Lid w/Lock Ring	21b	33400-1047	628350	O-ring, Impeller Screw
5	400007Z	CALL	Basket	22	301446	CALL	O-ring, Seal Plate
6	30000-3440	622330	O-Ring, Lid	23	Impellers -Varies by Model		
7	071131	601136	Drain Plug	23a	400015	632860	IFXF Variable Speed
8	O-130	66328	O-Ring, Drain Plug (1.52115)	23b	400015	632860	WFXF XF12, XFE12, XFDS12, XFJ12, XFK12
9	431000	CALL	Mat, Union	23c	400020Z	632861	WFXF XFB, XFE8, XFDS8, XFDS30, XF30, XFE30, XFJ8, XFK8
10	430001	CALL	C-Clip, Locking Ring	23d	400023Z	632862	WFXF XFE20, XFJ20, XFK20
11	430002	CALL	Adapter, Union	24	37480-00205	626307	Pump Seal
12a	430003Z	CALL	Diaphragm Seal Kit, IFXF	25	400002	CALL	Seal Plate
12b	430016Z	CALL	Diaphragm Seal Kit, WFXF	26a	3001005	617703	Motor Kit IntelliFloXF
13	400004Z	CALL	Motor Base	26b	Motor	CALL	Motor Kit WhisperFloXF (Square Flange)
14	307160	CALL	Support Insert, Base	27	300612	626538	Hardware & Gasket Kit
15	071413	CALL	Acorn Nut (each)	28	300201	617703	Drive Assy. Kit
16	1M3-1255	60908Z	Split Lock Washer (each)	29	300621	CALL	Wire Cover w/Gasket
17	072104	632371	Washer, ca.	30	300601	617703	Central Cover Assy. Kit
18	300006	CALL	O-Ring, Diffuser				
19	300009	CALL	Screw, Diffuser				

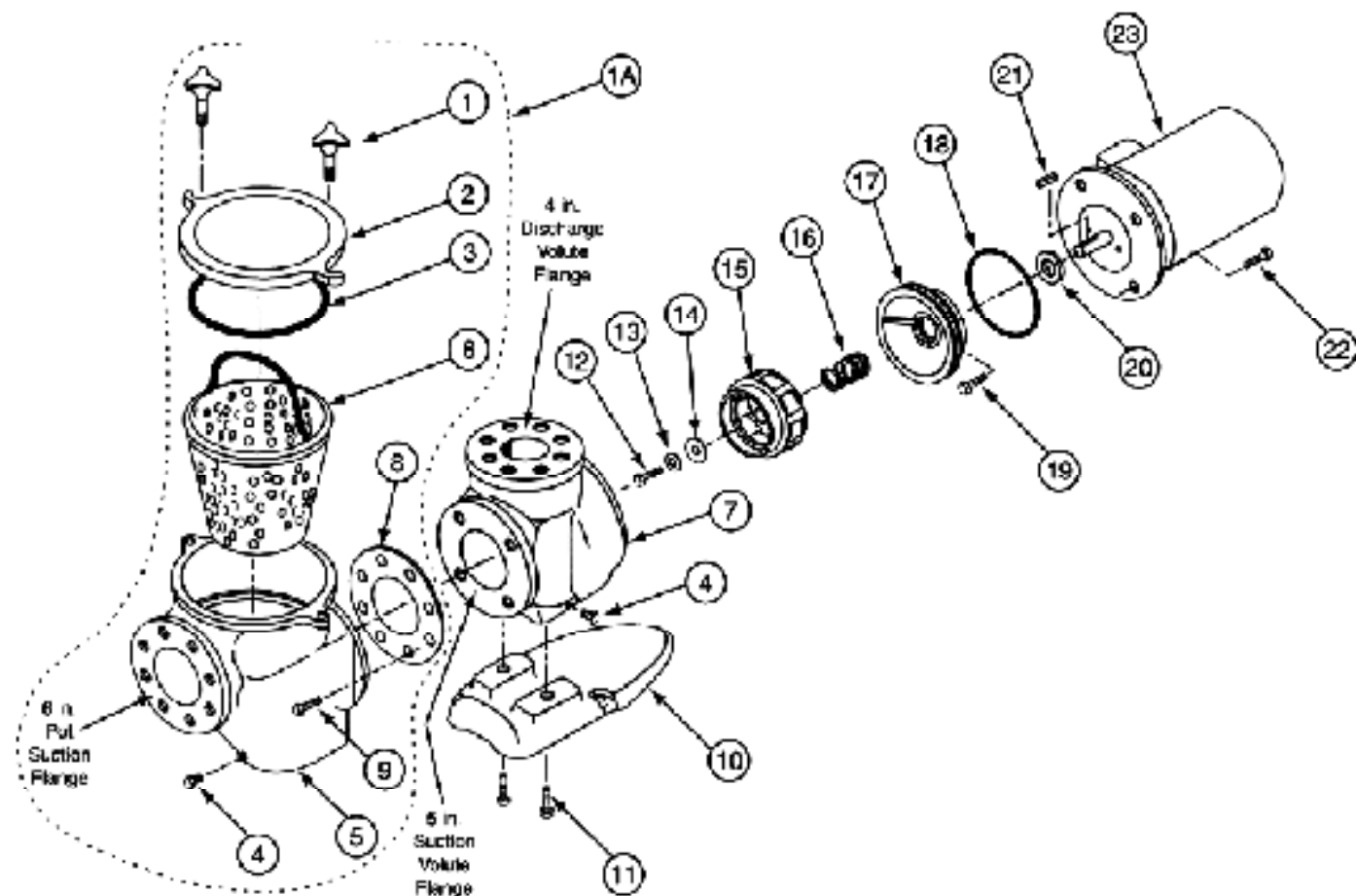
IFXF=IntelliFloXF WFXF=WhisperFloXF



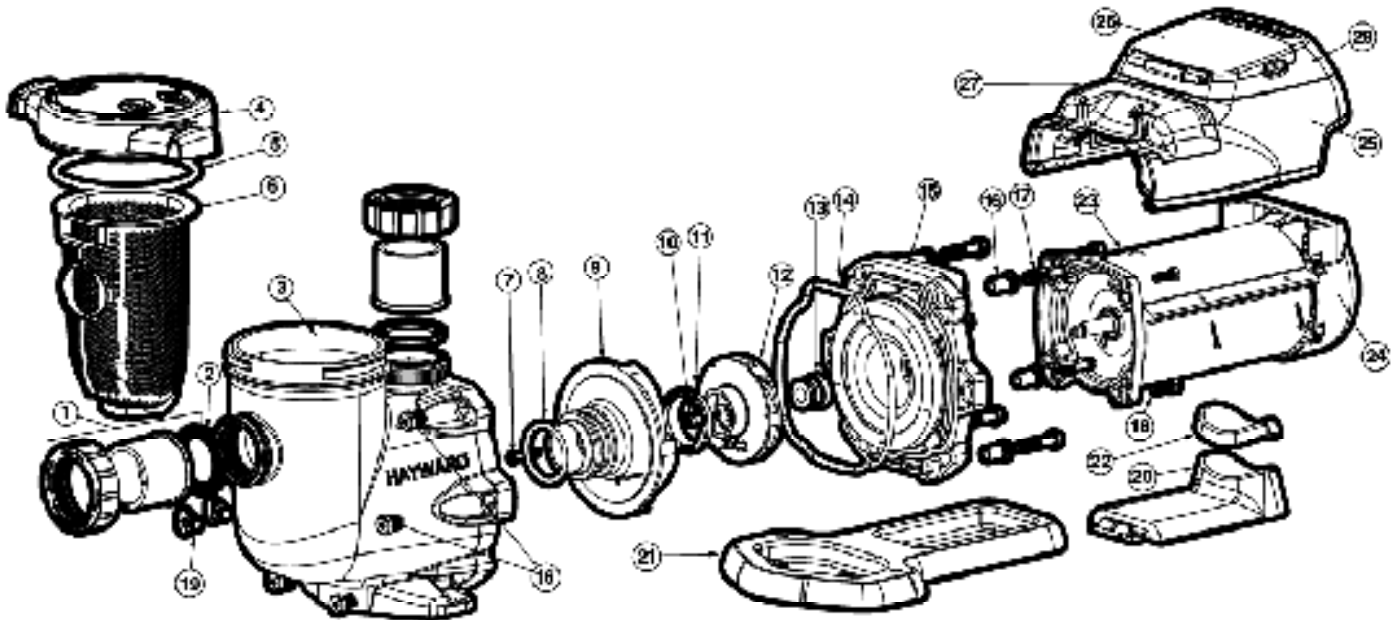
Key	Part#	Sku	Description	Key	Part#	Sku	Description
1	Motor		Square Flange	11a	CS-271.P1	60286	Diffuser 1/2 to 1-1/2HP
2	U60-62255	626134	Screw	11b	CS-271.P	60287	Diffuser 1-3/4HP
2a	U43-2255	621529	Lock-Washer	11c	CS-271.PA	CALL	Diffuser 2 to 3HP
3	U17-368	621178	Brazing Lug	12	O-83	60293	O-ring, Diffuser (U9-374)
4	17331-0008	621293	Water Slinger	13	U43-2155	626117	Lock-Washer, Diffuser
5	C203-194P	40759	Seal Plate Kit (incl. 6 & 7)	14	U60-34255	626148	Screw, Diffuser
6	O-240	60293	O-ring, Seal Plate (U9-228A)	15	17307-01105	622713	Tank Housing Assy. (incl. 16-19)
7	PS-280V	40678	Pump Seal (32408-00275)	16	17307-01115	622348	Cover Kit (Lid, Ring & O-ring)
8	WK36-22	44861	Knock, Clamp	17	33303-1440	622935	O-ring, Cover
9	CS-37A	626284	V-Clamp	18	B-213	36467	Bracket (CS-38P)
10 — Impellers (Single Phase)				19a	16204	16204	Drain Plug, 1/4"
	C105-238PX	622574	1/2HP	19b	U178-528P	60288	Drain Plug, 1/4" w/O-ring
	C105-238P	40493	3/4HP	19c	O-35	60679	O-ring, Drain Plug (U9-338)
	C105-238PB	40496	1HP	20	U43-8155	621243	Washer, Base
	C105-238PDBA	40498	1-1/2HP	21	U60-91855	60290	Screw, Base
	C105-238PDCA	622581	1-3/4HP	22a	CA-78P	CALL	Base
	C105-238PEBA	40511	2HP	22b	C184-75P	621243	Base w/Motor Pad
	C105-238PLA	40512	3HP	23a	CS-43	62654	Motor Pad
	C105-238PBA	600965	2-Speed 1/4 to 1-1/2HP	23b	CS-44	62656	Motor Pad (for 3HP)
	C105-238PDBA	40498	2-Speed 1/3 to 2HP	24a	U60-7465	626293	Ball, Motor
10a	31303-1426	626474	O-ring, Impeller Screw	24b	U60-9955	626534	Ball, 3HP Motor



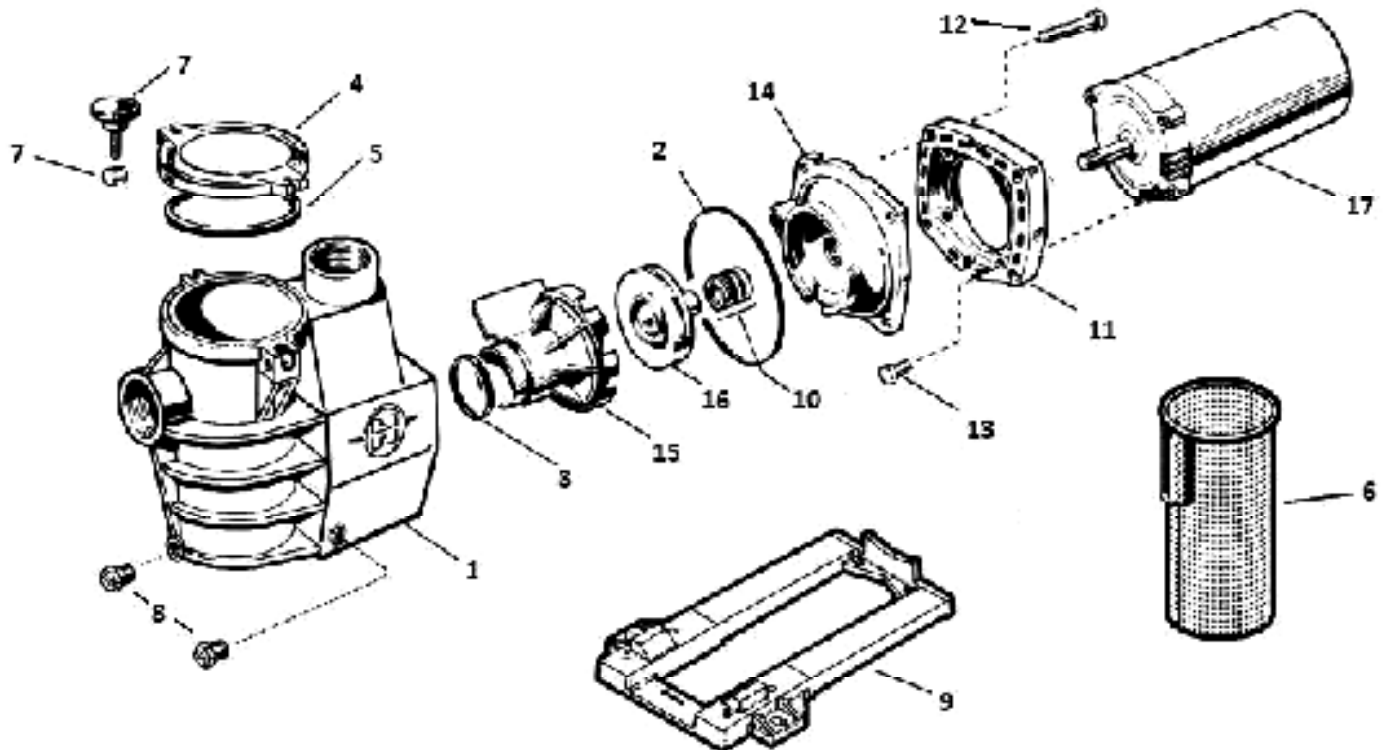
Key	Part#	Sku	Description	Key	Part#	Sku	Description
3a	871386	828261	Bolt, Clamp (Pre-1998)	14	871632	821139	Screw, Impeller
1b	878711	821383	Lid Clamp, SS (Pre-1998)	15	173733	38292	Gasket, Impeller
1c	337359	822484	Cam Clamp, Almond (1999-Current)	16	PS-3088W	40679	Pump Seal (0717345)
1d	337330	828267	Cam Clamp, Black (1998-99)	17	878429	828862	Bolt, Motor
2a	878750	821142	Cover, Clamp Style (Pre-1998)	18	338201	822824	Seal Plate Kit (incl. 16), Almond
2b	337331	828266	Cover, Cam Style (1998-)	19	878927	821138	Base, Almond
3a	O-188	82880	O-ring, Cover (Pre-1998) 873422	20	878929	821137	Spacer, Almond Base
3b	O-318	82110	O-ring, Cover (1998-) 308813	21	871637	828187	Screw, Base
3,9,11		82882	O-ring Kit	22	871406	828247	Nut, Base
4	B-199	36280	Basket (878887)	23	872383	828272	Washer, Base
5	878430	82829	Bolt 3/8" x 7/8", Housing	24	871331	821136	Drain Plug, Almond
6	872384	40280	Washer 3/8", Housing	24	337363	40288	Drain Plug, Black
7	878431	828188	Bolt 3/8" x 2", Housing	25	O-130	82828	O-ring, Drain Plug (52113)
8	871403	44480	Nut 3/8", Housing	25a	337243	817700	Strainer Assy. (incl. 8, 30 & 24-25)
9a	O-384	84533	O-ring, Seal Plate (Pre-1998) 871443	25b	337349	828283	Valve Assy. (Repl. 8 074362) Almond Square Flange
9b	G-413	84540	Gasket, Seal Plate (1998-) 337102	27			
10a	337349	828283	Valve, Almond (Repl. 8 074362)	28a	873126	821252	Impeller 1/2HP (3/4UB)
10b	338013	822713	Housing, Almond	28b	873127	821251	Impeller 3/4HP (1UB)
11	O-329	82824	O-ring, Diffuser (871444)	28c	873128	821250	Impeller 1HP (1-1/2UB)
12	871680	821140	Screw, Diffuser	28d	873129	821249	Impeller 1-1/2HP (2UB)
13a	872927	821195	Diffuser 1/2 to 1-1/2HP	28e	873130	821248	Impeller 2HP (2-1/2UB)
13b	872928	821198	Diffuser 3HP	28f	873131	821247	Impeller 3HP



Key	Part#	Sku	Description	Key	Part#	Sku	Description
1	073280	601304	Crank, Lid	15b Impellers, High Head			
2	073273	601170	Lid, Strainer	073828	601208	5HP	
3	073433	600737	O-Ring, Lid	073829	601165	7.5HP	
4	071331	40540	Drain Plug, 1/4"	073830	601205	10HP	
5	073271	601160	Strainer, Only	073831	601163	15HP	
6	072793	601726	Basket, 11"	073832	601162	20HP	
7	073273	601161	Volume	16	071723	601167	Pump Seal, 360
8	070943	600747	Gasket, 3" Flange	17	070906	601166	Seal Plate, Flange
9	073033	601112	Screw, 3/4", Flange	18	073423	600208	O-Ring, Flange
10	073287	601286	Base	19	073601	600206	Screw, 3/8", Flange
11	073688	601111	Screw, 3/8", Base	20	072103	601136	Water Slinger
12	073037	601137	Locking Screw, Impeller	21	073046	601133	Key, Pump Shaft
13	073048	601138	Washer, Impeller	22	073607	601110	Set Screw, 1/2"
14	073713	622100	Gasket, Impeller Screw	23	Motor	CALL	220/440V Single or 3-Phase
15a Impellers, Medium Head							
	070228	601207	5HP				
	070227	601206	7.5HP				
	070226	601164	10HP				
	070225	601204	15HP				



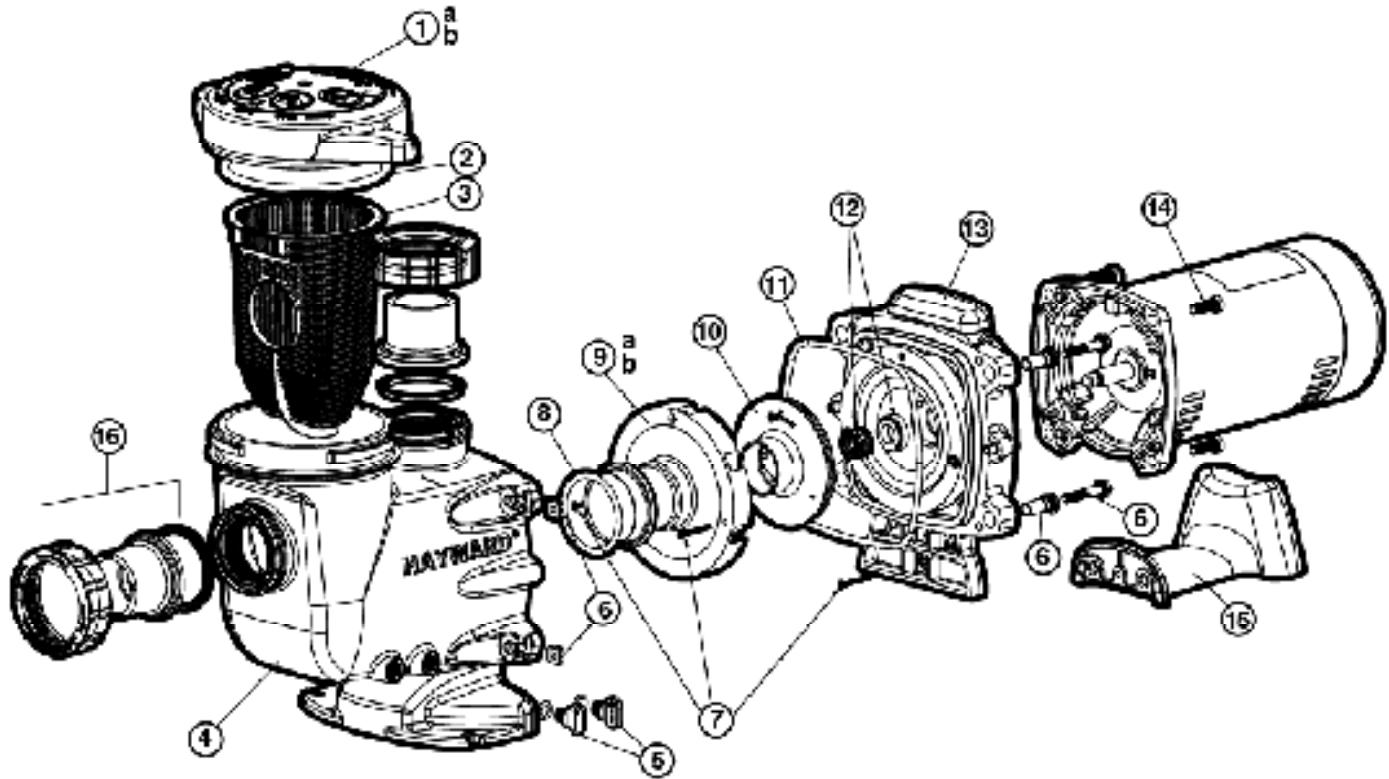
Key	Part#	SKU	Description	Key	Part#	SKU	Description
1	SPYGL2000KIT	32280	Union Connector Kit	16	SPYGL2002Z11	623893	Insert Spacer, Housing
2	SPYGL2000IG	623808	Gasket, Union T-Seal	17	SPYGL2002Z1	623961	Belt, Housing
3	SPYGL2000A	624087	Strainer Housing	18	SPYGL2002Z1	623992	Belt, Motor
4	SPYGL2000LS	623906	Cover Kit	19	SPYGL2002Z1	40643	Drain Plug w/ O-Ring
5	SPYGL2000S	66312	O-Ring, Cover	20	SPYGL2002Z1	623887	Motor Bracket
6	SPYGL2000M	39091	Bracket	21	SPYGL2002Z1	623890	Motor Spacer, Short
7	SPYGL2002Z1	623807	Screw, Diffuser	22	SPYGL2002Z1	CALL	Adapter, Base
8	SPYGL2002Z1	66363	O-Ring, Diffuser	23	SPYGL2002Z1	617676	Motor
9	SPYGL2002Z1	623889	Diffuser	24	SPYGL2002Z1	617677	Shroud, Motor Fan
10	SPYGL2002Z1	623780	Screw, Impeller	25	SPYGL2002Z1	617678	Motor Drive w/Interface
11	SPYGL2002Z1	40934	Ring, Impeller	26	SPYGL2002Z1	617679	Motor Drive w/Interface SWRS
12	SPYGL228K	623909	VS Impeller w/Screw	27	SPYGL2002Z1	617672	Cover, Interface Display
13	SPYGL2002Z1	40709	Pump Seal	28	SPYGL2002Z1	617673	Wiring Cover
14	SPYGL2002Z1	66313	O-Ring, Housing	29	SPYGL2002Z1	617674	Digital Interface Assy.
15	SPYGL2002Z1	623912	Seal Plate	30	SPYGL2002Z1	617675	Wall Mounting Kit



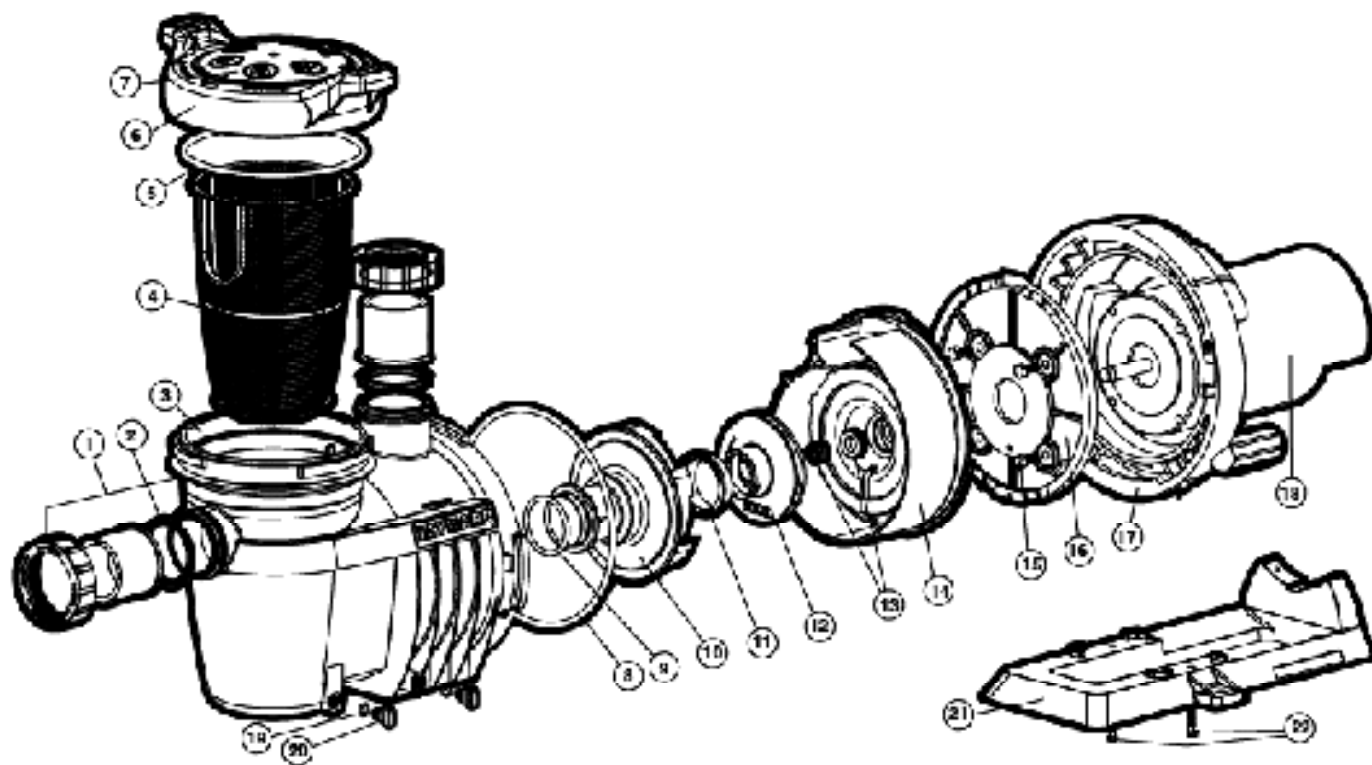
Key	Part#	SKU	Description	Key	Part#	SKU	Description
1a	SPX2800AAC	613062	Housing Conversion Kit Includes: Housing, Basket, Cover, Cover Gasket & Kamb/Nuts	13	SPX21200M	40062	Bolt, Motor
1b	SPX2800AA	601273	Housing, 2800-Series (Pre-1990)	14	SPX160000T2	40743	Seal Plate
2	G-20	64333	Gasket, Housing (SPX1600T)	15	SPX2800B	40277	Diffuser
3	D-343	64383	Gasket, Diffuser (SPX1600B)	16a	SPX2600C	40423	Impeller, 1/2HP, 2800-Series
—	SPX1600TBA	613063	Seal Assembly Kit Includes: Seal Assembly, Diffuser Gasket and Housing Gaskets	16b	SPX2600C	40417	Impeller, 3/4HP, 2800-Series
4	SPX1200LA	40783	Cover, Strainer	16c	SPX2600C	40416	Impeller, 1HP, 2800-Series
5	D-76	64430	Gasket, Strainer (SPX120T)	16d	SPX2610C	40415	Impeller, 1-1/2HP, 2800-Series
6a	SPX1200LA	626397	Basket (Pre-1990)	16e	SPX2610C	40420	Impeller, 2HP, 2800-Series
6b	SPX1800M	600302	Basket (1990-)	17	Motor		C-Face Thrd. Shaft
7a	SPX1200LA	40300	Horizontal Kamb (Pre-1994)				
7b	SPX1600PW	40328	Horizontal Kamb & Nut Kit (1990-)				
8a	SPX1600V	607904	Drive Plug, 1/4" (Pre-1991)				
8b	SPX1700R6	16304	Drive Plug 1/4"				
9	SPX1600E1	30383	Pump Base w/Spacer				
9a	SPX1600E1Z	40631	Screw, Base				
10	PS-281V	40678	Pump Seal (SPX1600Z2)				
11	SPX1600F3	40090	Motor Mounting Plate				
12	SPX1600Z4	40067	Bolt, Housing				

Drive Train Upgrade Kits— 1800-Series Pumps
Includes: Impeller, Diffuser, Seal Plate & Gaskets
For replacement SPX1800 part numbers (Pre-1983) use these new kits to improve flow, GPM, reduce noise and provide better energy efficiencies. Older style parts are no longer available individually.

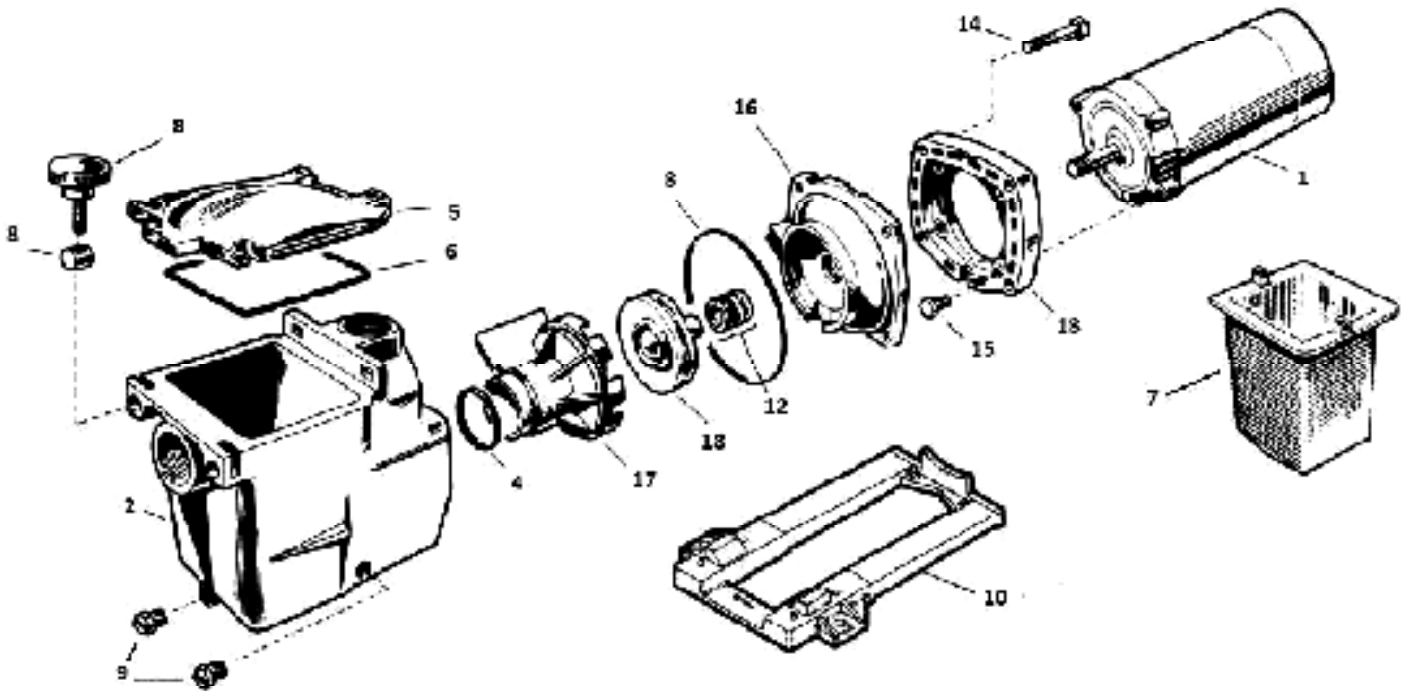
15-16	SPX2800CKIT	600660	Drive Train Upgrade, 1/2HP
15-16	SPX2805CKIT	600659	Drive Train Upgrade, 3/4HP
15-16	SPX2807CKIT	600658	Drive Train Upgrade, 1HP
15-16	SPX2810CKIT	600657	Drive Train Upgrade, 1-1/2HP
15-16	SPX2815CKIT	600656	Drive Train Upgrade, 2HP



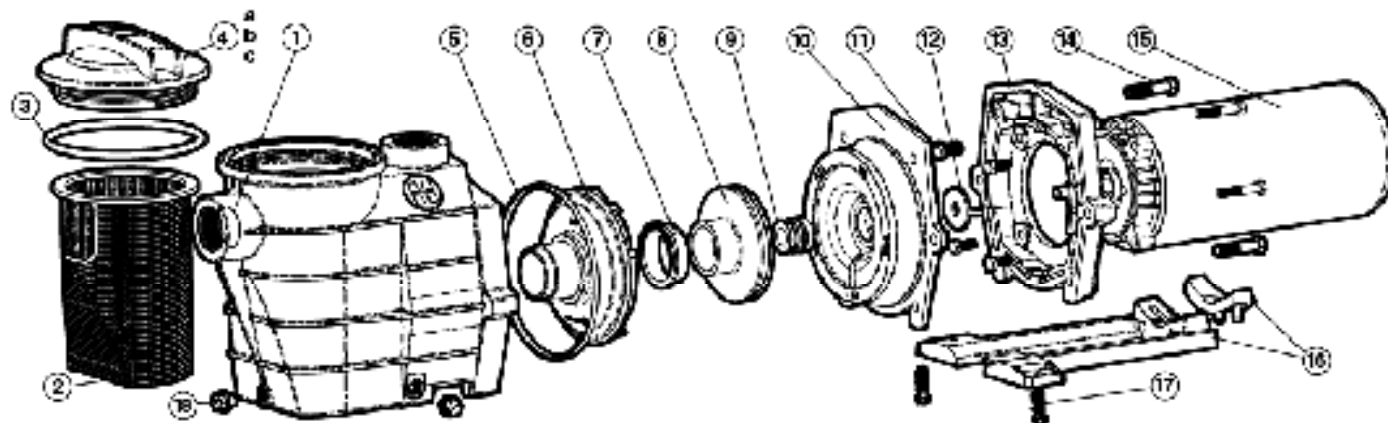
Key	Part#	Sku	Description	Key	Part#	Sku	Description
1a	SP52700DL5	40121	Cover Kit (incl. Cover, Lock-Ring & O-Ring)	11	D-261	62262	O-Ring, Housing (6206300F)
1b	SP52700DL5B	40120	Cover Kit (for Dipswitch Servitors)	12	SP52700SA	40714	Pump Seal
2	SP52700D4	62246	O-Ring, Cover	13	SP52700E	40132	Seal Plate
3	SP52700M	36282	Basket	14	SP52700Z1	623752	Bolt, Motor
4	SP52700AA	40123	Pump Housing Kit	15	SP52700G	40134	Pump Base
			Includes: Housing, Cover Assy., Basket & Plugs	16	SP52700UNKIT	40133	Half Union (2-pk)
5	SP54000FG	40643	Drain Plug	16a	SP52700AG	623808	Gasket, Union
6	SP527000PAC	40124	Hardware Pack (16b	SP52700E	40128	Impeller, 3/4HP
			Includes: 4 Housing Bolts, Nuts, Seal-Plate & Spacers	16c	SP52707CM	40129	Impeller, 1HP
7	SP52700D3	40126	Diffuser Screens (3-Req.)	16d	SP52710CM	40130	Impeller, 1-1/2HP
8	52200Z	62242	O-Ring, Diffuser	16M	SP52713CM	40131	Impeller, 2HP
9a	SP52700B	40127	Diffuser, 1/2 to 1-1/2HP				Motor Square Flange
9b	SP52700BE	40124	Diffuser, 2HP Duty				



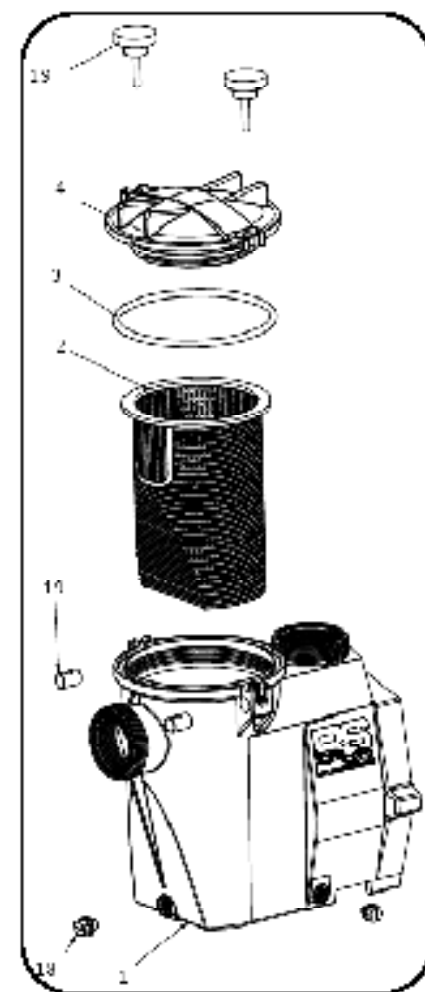
Key	Part#	Sku	Description	Key	Part#	Sku	Description
1a	SPX320DLNPKIT	62780	Union Kit (2008-)	10	SP40D008	48278	Diffuser
1b	SPX4000DLNPAK1	62782	Union Kit (Pre-2007)	11	SPX6021R	48214	Impeller Ring
1c	SPX4000DLNPAK2	62881	Curved Union (Pre-2007)	12a	SP40D07C0IT	620643	Impeller 3/4HP (1UR)
2	SPX320DLUG	62888	T-Seal Gasket, Union	12b	SP40D10C0IT	620642	Impeller 1HP (1-1/2UR)
2a	O-RI	64CE3	O-Ring, Union (Pre-2007) SPX4000DL	12c	SP40D13C0IT	620641	Impeller 1-1/2HP (2UR)
3a	SPX4000TP	CALL	Pump Housing (2008-)	12d	SP40D20C0IT	620640	Impeller 2HP (2-1/2UR)
3b	SPX4000HSEKIT	CALL	Housing Kit (incl. 3, 3 & 4)	12e	SP40D23C0IT	620639	Impeller 3UR
4a	B-215	36203	Basket (SPX4000M)	12f	SP40D30C0IT	620638	Impeller 3HP
5a	SPX4000S	CALL	O-ring, Cover (2008-)	13	SPX6005A	48703	Pump Seal
5b	SPX4000S	623054	T-Ring, Cover (2003-2007)	14	SP40D00E	620646	Seal Plate
5c	O-384	62222	O-Ring, Cover (Pre-2003) D4880G	15	SP40L23594	48862	Bolt, Motor
6-7	— Cover & Lid		Strainer Cover Kits:	16	SP40D00F	620643	Mixing Ring Plate, Motor
	SPX4000CLO	40542	Cover Kit (2008-)	17	SP40D00K	620644	Lock Ring, Motor
	SPX4000DLT	40541	Cover Kit (Pre-2007)	18			C-Face
2,5,8-9	O-RING KIT	62886	O-Ring Kit	19-20	SP40D00F6	48643	Drain Plug w/O-ring
8	O-2E8	64588	O-ring, Seal Plate (SPX4000TP)	21-22	SP40D006A	620647	Mixing Base
9	O-RI	64CE3	O-ring, Diffuser (SPX4000DL)	22	SPX1600R12	48201	Bolts, Base



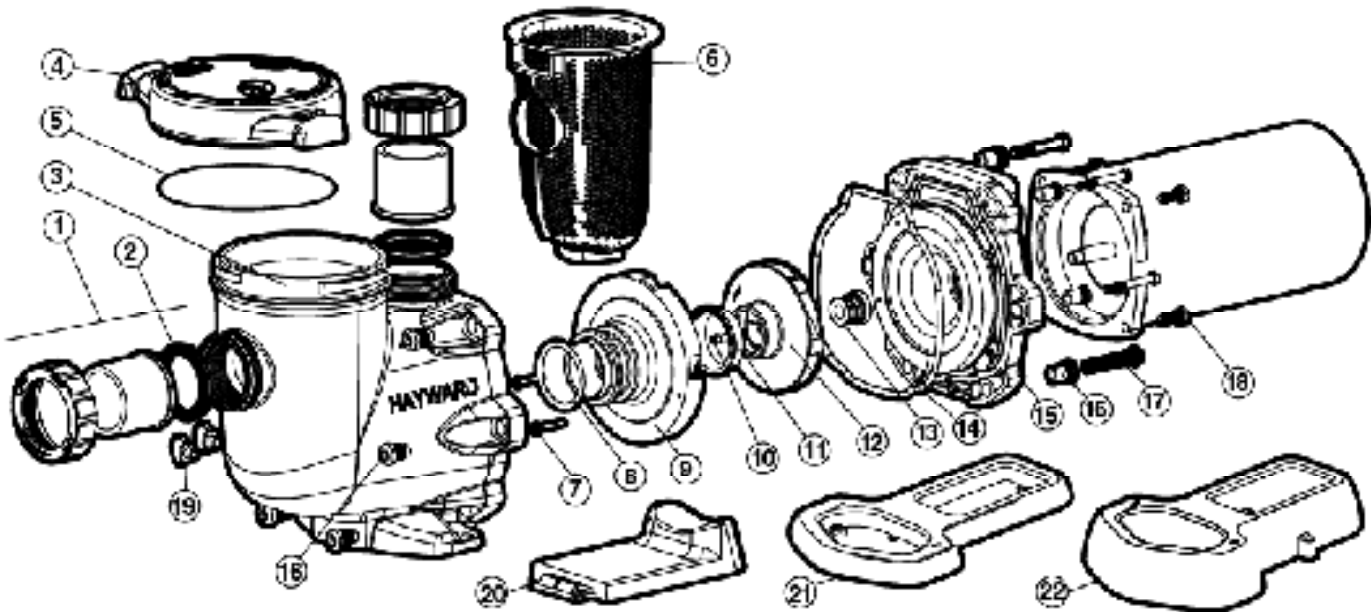
Key	Part#	SKU	Description	Key	Part#	SKU	Description
1	Motor		C-Face Thr. Shaft	Diffusers & Impellers — 2600 Series Pumps			
2a	SP21600AA	40662	Housing 1-1/2" Parts w/Plugs	17a	SPX2600B	40270	Diffuser, 1/2 to 2HP
2b	SP21620AA	40661	Housing 2" Parts w/Plugs	17b	SPX2615B	40271	Diffuser, 2-1/2HP only
3	G-93	64333	Gasket, Housing (SP21600T)	18a	SPX2600C	40423	Impeller, 1/2HP
4	O-141	64383	Gasket, Diffuser (SP21600Q)	18b	SPX2600E	40417	Impeller, 3/4HP
3,4,6		62883	O-Ring Kit	18c	SPX2607C	40416	Impeller, 1HP
—	SP21600RA	62883	Seal Assembly Kit	18d	SPX2610C	40415	Impeller, 1-1/2HP
			Includes: Pump Seal, Housing Gasket & Diffuser Gasket	18e	SPX2613C	40420	Impeller, 2HP
5	SP21600D	40780	Cover, Strainer	18f	SPX2621C	40422	Impeller, 2-1/2HP
6	O-177	64480	Gasket, Cover (SP21600S)	Drive Train Upgrade Kits: 1600-Series Pumps			
7	B-167	36670	Basket (SP21600M)	Includes: Impeller, Diffuser, Seal Plate, Motor Plate & Gaskets			
8	SP21600PN	40328	Hand Knurl Kit (Everb. & Swivel Nut)	For Replacement SP1600X part numbers (Pre-1983) use these new kits to			
9a	SP21600V	60784	Drain Plug, 1/4" (Pre-1983)	improve flow, GPM, reduce noise and provide better energy efficiencies.			
9b	SP21700FE	16204	Drain Plug	Older Style Individual Parts Are No Longer Available.			
10	SPX26006L	30381	Pump Base w/Motor Adpt.	17-18	SPX2600CKIT	60063	Drive Train Upgrade, 1/2HP
11	SP21600S2	40621	Screw, Base	17-18	SPX2605CKIT	60064	Drive Train Upgrade, 3/4HP
12	PS-200V	40678	Seal Assembly (SPX2600S2)	17-18	SPX2607CKIT	60063	Drive Train Upgrade, 1HP
13	SP21600P3	40390	Motor Mounting Plate	17-18	SPX2610CKIT	60062	Drive Train Upgrade, 1-1/2HP
14	SP21600H	40667	Ball, Housing	17-18	SPX2613CKIT	60061	Drive Train Upgrade, 2HP
15	SP20125094	40662	Ball, Motor				
16a	SPX2600E1	40388	Seal Plate, 1/2 to 2HP				
16b	SP21611E1	CALL	Seal Plate, 2-1/2HP only				



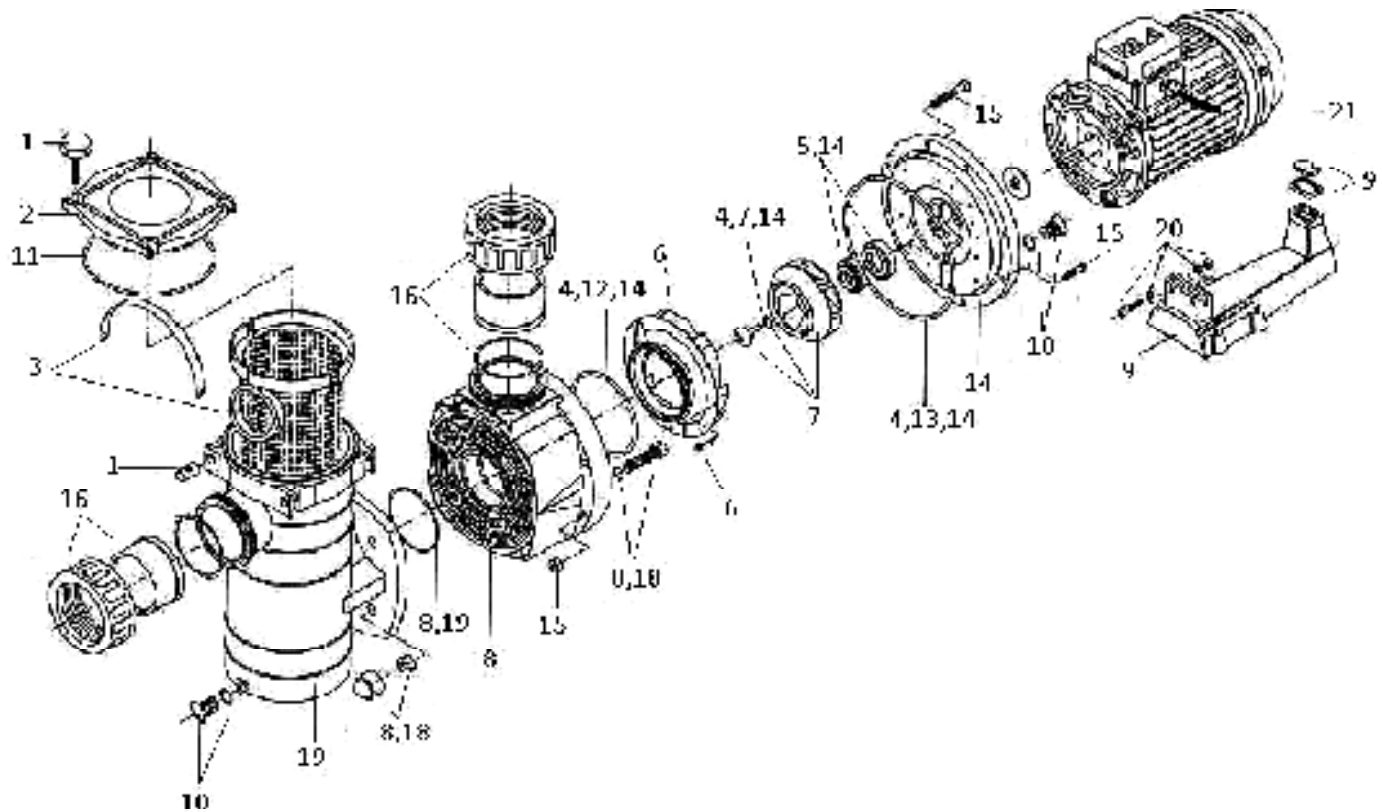
Key	Part#	Sku	Description
1a	SP9C000AA	40236	Pump Housing/Strainer 1-1/2" Ports (Knob Style Lid)
1b	SP9C000AAZ	426401	Pump Housing/Strainer 1-1/2" Ports (Throated Lid)
1c	SP9C000AA	40237	Pump Housing/Strainer 2" Ports (Knob Style Lid)
1d	SP9C000AAZ	40238	Pump Housing/Strainer 2" Ports (Throated Lid)
2	W-209	36200	Basket (SP9C000A)
3	O-12	66108	O-Ring, Lid (SP9C000A)
3,5,7		62882	O-Ring Kit
4a	SP9C000A	40236	Cover, Knob Style
4b	SP9C000A	40240	Cover, Throated
4	SP9300T	40200	Pump Lid Wrench
5	G-343	64301	Gasket, Pump Housing (SP9C000A)
6a	SP9C000B	40270	Diffuser 3/4 to 2HP (Pre-1987)
6b	SP9C000B	40271	Diffuser 3/4 to 1-1/2HP
6c	SP9C000B	40274	Diffuser 2-1/2 to 3HP (Pre-1988)
6d	SP9C000B	40276	Diffuser 2 to 3HP
7	O-343	64302	Gasket, Diffuser (Not Shown) SP9C000B
7a	SP9C000B	40213	Impeller Ring, SP3000-Series
7b	SP9C000B	40214	Impeller Ring, 2 to 3HP (SP9016C, SP9023C & SP9026C)
8a	SP9C000C	40406	Impeller 3/4HP (1/2LW)
8b	SP9C000C	40407	Impeller 1HP (3/4LW)
8c	SP9C000C	40408	Impeller 1-1/2HP (1LW)
8d	SP9C000C	40409	Impeller 2HP (1-1/2LW)
8e	SP9C000C	40410	Impeller 2-1/2HP
8f	SP9C000C	40432	Impeller 3HP
9	RS-201V	40278	Seal Assembly (SP9C000Z)
10a	SP9C000E	40730	Seal Plate, SP3000-Series
10b	SP9C000E	40731	Seal Plate, SP2000-Series
11	SP9002024	40062	Bolt, Motor
12	G-71	60667	Slinger Gasket (SP90020F)
13	SP9C000F	40008	Mounting Plate
14a	SP9C000Z2	40067	Bolt, Housing
14b	SP9C000Z2	40068	Washer, Bolt
15	SP9C000GA	40067	Motor Adaptor
17	SP9C000Z3	40211	Bolt, Base
18	SP9C000G	16204	Drain Plug, 1/4"
19	SP9C000H	40028	Knob & Sealed Mat Kit (Pair)



Knob Style Pump Housing For RS Pumps



Key	Part#	SKU	Description	Key	Part#	SKU	Description
	Motor		Square Flange	12d	SP35213C	62896	Impeller 1-1/2HP (2UM)
1	SP35200LKIT	32280	Union Kit	12e	SP35220Cnl	CALL	Impeller (2-1/2UM)
2	SP35200LNG	62895	Gasket, Union	12f	SP35220C	62899	Impeller 2HP (3UM)
3	SP35200A	62897	Strainer Housing	12g	SP35230C	62910	Impeller 3HP
4a	SP35200BLS	62906	Cover Kit w/Lock Ring & O-ring	12h	SP35230CS	62911	Impeller 3HP
4b	SP35200BLSB	62907	Cover Kit (for Biguonide)	13	SP35200SA	48769	Pump Seal
5	SP35200S	66112	O-ring, Cover	14	SP35200T	66113	O-ring, Housing
6	SP35200M	38291	Basket	15	SP35200E	62912	Seal Plate
7	SP35200Zn	62897	Screw, Diffuser	16	SP35200Z211	62903	Insert Spacer, Bolt
8	SP35200ZL	62900	O-ring, Diffuser	17	SP35200E3	62760	Ball, Housing
9	SP35200Z	62898	Diffuser	18	SP35200E1	62762	Ball, Motor
10	SP35200ZL	62780	Screw, Impeller	19	SP35200F6	48543	Drain Plug w/O-ring
11	SP35200L	48214	Impeller Ring	20	SP35200GA	62897	Support Bracket, Motor
12a	SP35200C	62878	Impeller 1/2HP (1/4UM)	21	SP35200WF	62900	Short Mixer, Base
12b	SP35200DM	62879	Impeller 3/4HP (1UM)	22	SP35200SL	62901	Tall Mixer, Base
12c	SP35200C	62877	Impeller 1HP (1-1/2UM)				



Key	Part#	Sku	Description	Key	Part#	Sku	Description
1	HCP6000A	617600	Bolt Kit, Lid	18	HCP6013A	617613	Drive Plug w/O-ring
2	HCP6001A	617601	Cover Kit (incl. O-ring)	11	HCP6014A	617616	O-ring, Cover
3	HCP6002A	617602	Basket w/handle	12	HCP6013A	617617	Gasket, Diffuser
4	HCP6003A	617603	O-ring Kit: Seal Plate O-ring, Diffuser O-ring & Impeller O-ring	13	HCP6016A	617618	O-Ring, Housing
5	HCP6004A	617603	Pump Seal Kit: Pump Seal & O-ring Kit (94 Almond)	14	HCP6017A	617619	Seal Plate Kit: Seal Plate, Seal Plate O-ring, Pump Seal, Diffuser O-ring & Impeller O-ring
6a	HCP6005A	617607	Diffuser w/Screws, 3021 & 731	15	HCP6018A	617620	Bolt Set, Seal Plate
6b	HCP6006A	617608	Diffuser w/Screws, 1001 & 1231	16	HCP6019A	617621	Union Set (2-pk)
7	Impeller Kits: Impeller, Stopper & Impeller O-ring			17	HCP6020A	617622	Ball, Motor
7a	HCP6007A	617609	Impeller w/HCP01	18	HCP6021A	CALL	Screw Kit, Housing
7b	HCP6008A	617610	Impeller w/HCP73	19	HCP6022A	CALL	Screw, Nut, O-ring & Cover Screw
7c	HCP6009A	617611	Impeller w/HCP100	20	HCP6023A	CALL	Ball Set, Base
7d	HCP6010A	617612	Impeller w/HCP123	21	Motor	CALL	Ball, Nut & Washer
8	HCP6011A	617613	Pump Housing Kit: Housing, Strainer O-ring & Ball O-ring				
9	HCP6012A	617614	Pump Base w/Spacers				

Pool & Spa Motor Replacement Parts
Pump Seals



Manufacture	Mfg.	Pump	SKU	SKU	Manufacture	Mfg.	Pump	SKU	SKU
Pump Model	Part#	Seal	Carbon	Viton	Pump Model	Part#	Seal	Carbon	Viton
American Products (Pentair)					American Motor Pump				
Americans®	393003	PS-201	40666	40678	A-B	PS-200	40663	40677	
Americans II®	397012	PS-1000	40675	40679	Doughboy/Lomart (Hoffinger)				
Bronze-Bronze	397012	PS-1000	40675	40679	Doughboy	306-1002	PS-1000	40663	40677
Bronze-Navy®	393003	PS-201	40666	40678	Lomart	40-827	PS-163	601116	
Eagle®	397012	PS-1000	40675	40679	Lomart	40-029	PS-163	601116	
Eagle®	397012	PS-1000	40675	40679	Hayward				
Maxim™	397012	PS-1000	40675	40679	Booster Pump 3060	SPX1250K22C	PS-200	40663	40677
Power-Glass®	397012	PS-1000	40675	40679	Booster Pump 6060	SPX2700SA	PS-3867	40714	40677
Ultra-Flo®	397020	PS-1000	40675	40679	Eco-Star	SPX3200SA	—	40709	
A-Series	92300030	PS-1000	40675	40679	Max-Flo®	SPX060022	PS-201	40666	40678
A & B Series	92309040	PS-1000	40675	40679	Max-Flo II®	SPX2700SA	PS-3867	40714	40677
AC-Series	92300030	PS-302	601258		NorthStar™	SPX3200SA	—	40709	
C-Series	92300030	PS-1000	40675	40679	Power-Flo II™	SPX1500KA	PS-2131	40710	
D-Series	92300040	PS-1000	40675	40679	Power-Flo LX™	SPX1500KA	PS-2131	40710	
D-Series	92300030	PS-1000	40675	40679	Power-Flo Matrix	SPX1500KA	PS-2131	40710	
Circ-Master®	92300131	PS-200	40663	40677	Super Pump®	SPX060022	PS-201	40666	40678
Dominator®	92300130	PS-200	40663	40677	Super Pump II & RS	SPX160022	PS-201	40666	40678
Dominator® Pre-1993	92300030	PS-1000	40675	40679	Tri-Star™/Energy-Flo	SPX3200SA	—	40709	
Flo-Master®	91049000	PS-2131	40710		Turbo-Flo®	SPX1500KA	PS-2131	40710	
Flo-Master®	92300130	PS-200	40663	40677	ITT Motorkor				
Pond-Flo	92300131	PS-200	40663	40677	2AF-Series	25353-00	PS-411	601267	
Tub-Master®	92300130	PS-2131	40710		3B-Series	27229-00	PS-416A	602642	
Tub-Master®	92300130	PS-200	40663	40677	Argonaut®	38392-00	PS-201	40666	40678
American Motor Pump	A-B	PS-200	40663	40677	L-Series	186543	PS-314	600254	
					L-Series	186543	PS-314	600254	
					Master®	38392-00	PS-201	40666	40678
					SCT Series 55	46328-00	PS-2161	600716	

Manufacture Pump Model	Mfg. Part#	Pump Seal	SKU Carbon	SKU Viton	Manufacture Pump Model	Mfg. Part#	Pump Seal	SKU Carbon	SKU Viton
Jacuzzi					Star-Brite (Pentair)				
Cygnat	10-0002-06	PS-200	40663	40677	AJ	U109-9355	PS-100	40660	40676
A, J, KM Series	10-0002-06	PS-200	40663	40677	CC/C	U109-43855	PS-185	600253	
K, KM Series	10-0002-06	PS-200	40663	40677	CC/C Pre-2000	U109-220	PS-185	600253	
LCM-Series	10-1436-00	PS-200	40663	40677	CF/CFA	U109-13855	PS-3000	40673	40679
LCU-Series	10-1436-00	PS-200	40663	40677	CSPH/CCSPH	32014	PS-185	600253	
LR-Series	10-0002-06	PS-200	40663	40677	CSPH/CCSPH	32014	PS-446	622737	
Magnum*	10-1502-09	PS-201	40666	40678	D Series	U109-43355	PS-185	600253	
MC-Series	10-1302-09	PS-201	40666	40678	D Series Pre-2000	U109-220	PS-185	600253	
Vector (LVL)	10-0002-06	PS-200	40663	40677	DJ/JS/JT	37400-00275	PS-201	40666	40678
Jandy (Zodiac)					DM/JS/JT Pre-2001				
FHP, JEP	R0479400	PS-3890	40705		Dura-Glas® Pre-1998	U109-9355	PS-100	40660	40676
MHP, PMP	R0479400	PS-3890	40705		Dura-Glas®	17304-0100	PS-200	40663	40677
SHP, SWF, WFTR	R0479400	PS-3890	40705		Dura-Glas II Pre-1998	U109-37255	PS-201	40666	40678
HHP, HHPU	R0443500	PS-601	40670		Dura-Glas II	U109-33855	PS-201	40666	40678
MHPM	R0443500	—	617088		Dura-Glas II	37400-00275	PS-851	632648	40678
Morion					Dura-Glas II				
	092001	PS-163	601116		Dura-Jet Pre-2001	U109-33855	PS-201	40666	40678
	092013	PS-142	29086		Dura-Jet	37400-0027	PS-201	40666	40678
Pentair/Pac-Fab/Purex (Pentair)					Dyna-Glas®/Dyna-Max				
AH-Series	071728	PS-201	40666	40678	Dyna-Glas®/Dyna-Max	U109-33855	PS-201	40666	40678
Aquatron	071733	PS-301	40668		Dyna-Jet™	17331-01015	PS-201	40666	40678
Challenger	334343	PS-200	40663	40677	HP-Series	U109-13855	PS-3000	40673	40679
C-Series	071725	PS-360	601167		JW/JWPA	U109-33855	PS-201	40666	40678
Dynasun/Dynasite	334343	PS-200	40663	40677	JW/JWPA	37400-00275	PS-201	40666	40678
Dynatron	334343	PS-200	40663	40677	LT	U109-6855	PS-163	601116	
Hydrosonic	334001	PS-201	40666	40678	Max-E-Glas Pre-1998	U109-9355	PS-300	40660	40676
IntelliFlo	071734	PS-1000	40675	40679	Max-E-Glas	17304-0100	PS-200	40663	40677
L-Series	071728-0102	PS-100	40660	40676	Max-E-Glas II	U109-33855	PS-201	40666	40678
L-Series	071728	PS-201	40666	40678	Max-E-Glas II	U109-37255	PS-201	40666	40678
Pinnacle	334343	PS-200	40663	40677	Max-E-Glas II	37400-00275	PS-201	40666	40678
Whisperflo	071734	PS-1000	40675	40679	Max-E-Glas II	37400-00285	PS-201V	—	40678
Piscinair					Max-E-Pro™				
1207/220/225	31-812	PS-201	40666	40678	PLBC Series	17331-01025	PS-100	40660	40676
Pre 1998	31-813	PS-1000	40675	40679	PLBC Series Pre-1998	U109-9355	PS-300	40660	40676
225/255 MKII	31-812	PS-201	40666	40678	SuperMax	3543455	PS-200	40663	40677
300/325/335	31-812	PS-201	40666	40678	Swimpump 30, 40/30, 40	37407-0005	PS-201	40666	40678
433/456	31-813	PS-1000	40675	40679	Water Ace RSP-7,10,15	25053A000	PS-3845	Cell	
500/500	31-813	PS-1000	40675	40679	Waterway				
725/756	31-812	PS-201	40666	40678		319-31008	PS-1000	40675	40679
Polaris (Zodiac)					811-4000A				
P84-60	P55	PS-1000	40675	40679			PS-671	632794	
P84-601	P84-3	PS-3890	40705						
Speck Pumps									
	2520000003	PS-200	40663	40677					
	60603-200	PS-200	40663	40677					



**Hayward
NorthStar**

- 40542 Lid w/Lock Ring (New)
- 40541 Lid Kit (Pre-2007)
- 36095 Basket
- 65066 O-Ring Kit
- 40705 Pump Seal



**Hayward
Super Pump**

- 40780 Lid (w/o Knobs)
- 40528 Lid Knobs (2-pk)
- 36070 Basket
- 65003 O-Ring Kit
- 64440 O-Ring, Lid
- 40678 Pump Seal 201



**Hayward
RS/Super II Pump**

- 40545 Lid (Threaded)
- 40236 Lid (w/o Knobs)
- 40528 Lid Knobs (2-pk)
- 36080 Basket
- 65002 D-Ring Kit
- 66206 D-Ring, Lid
- 40676 Pump Seal 201



**Hayward
EcoStar/EnergyFlo/TriStar**

- 654056 Lid w/Lock Ring
- 36091 Basket
- 66112 D-Ring, Lid
- 40780 Pump Seal



**Pentair (Pisc-Fab)
Challenger**

- 40559 Lid
- 36343 Basket
- 65005 D-Ring Kit
- 66110 D-Ring, Lid (Pentair)
- 66520 D-Ring, Lid (Pre-1998)
- 40677 Pump Seal 200



**Pentair (Pures)
WhisperFlo/IntelliFlo**

- 601142 Lid (w/o Clamp)
- 600536 Lid (w/o Twist Lock)
- 36340 Basket
- 65032 D-Ring Kit
- 66340 D-Ring, Lid (Pre-1998)
- 66110 D-Ring, Lid (New Style)
- 40679 Pump Seal 200B



**Pentair (Sta-Mite)
Dura-Glass/Misc-E-Glass**

- 40572 Lid
- 36440 Basket
- 65086 D-Ring Kit
- 66634 D-Ring, Lid
- 40677 Pump Seal 200



**Pentair (Sta-Mite)
Dura-Glass/Misc-E-Glass II
Misc-E-Prop/IntelliPro**

- 40573 Lid
- 36437 Basket
- 65085 D-Ring Kit
- 66685 D-Ring, Lid
- 40676 Pump Seal 201



**Hayward
Max-Flo**

- 40783 Lid (w/o Knots)
- 40528 Knots (2-pk)
- 36081 Basket
- 64450 O-Ring, Lid
- 40678 Pump Seal 201



**Hayward
Max-Flo II**

- 40121 Lid w/Lock Ring
- 36082 Basket
- 66246 O-Ring, Lid
- 40714 Pump Seal



**Hayward
PowerFlo Matrix**

- 40180 Lid w/Lock Ring
- 40807 Basket
- 65074 O-Ring Kit
- 40118 O-Ring, Lid
- 40780 Pump Seal



**Hayward
PowerFlo**

- 40546 Lid
- 36080 Basket (1500)
- 36081 Basket (LX & II)
- 65012 O-Ring Kit
- 66270 O-Ring, Lid
- 40780 Pump Seal



**American Products
Ultra-Flo**

- 600886 Lid (w/o Twist Lock)
- 40563 Lid (w/o SS Clamp)
- 36047 Basket
- 608527 O-Ring (Cam Lock Lid)
- 66024 O-Ring (Clamp Lid)
- 40679 Pump Seal 1000
- 65020 O-Ring Kit



**Jacuzzi
Magnum**

- 600885 Lid (w/o Lock Ring)
- 605715 Basket
- 603230 Lock Ring
- 66524 O-Ring, Lid
- 40678 Pump Seal 201



**Zodiac
Sandy Stealth**

- 617089 Lid Kit w/Lock Ring
- 617000 Basket
- 617085 O-Ring, Lid
- 40705 Pump Seal



Lid Wrench

- 40850 Fits Most IG Pumps
- 40855 Hayward Lid Wrench

Skimmer Parts & Inlet Fittings
Common Replacement Parts



34830 Vac. Plate
American Prod. Skimmer



34840 Vac. Plate
Sta-Fite LES Skimmer



34810 Vac. Plate
Swimline Olympic AG Skimmer



34885 Central Plate
Baker Hydro Skimmer



34833 Vac. Plate
Hayward Skimmer



34828 Vac. Plate
Hayward Skimmer



34835 Vac. Plate
Hayward Skimmer



34808 Vac. Plate
Hayward AG Skimmer



34248 Regulator Valve
Sta-Fite or Hayward Skimmers



34128 Vac. Equalizer Assy.
American Prod. Skimmer



34858 Diverter Valve
American Prod. Skimmer



34235 Floating Weir
American Prod. Skimmer



Generic Weir Gates
34916 7-1/4" Fits: Pac-Fab
34921 8" Fits: American Prod.
34924 8-3/8" Fits: Sta-Fite
34912 9-3/8" Fits: Baker Hydro



Inlet Fitting 1-1/2" Thd
30220 Inlet: 3/4" Opening
30225 Inlet: 1" Opening
30216 Inlet: 1/2" Opening
30219 Inlet: Slatel Opening



Universal Inlet Fittings
68077 Threaded 1-1/2" MP
68079 Slip 1-1/2"



34750 Inlet Removal Tool



40208 Plug w/O-ring
1-1/2" Threaded Plug



58948 Vac. Lock, White
Hayward W406RWHP



30819 Aerator 3/4" Thd.



34234 Float Valve, Brown
Auto Fill Valve

Skimmer Parts
Baskets & Deck Lids



**WaterCo
Bulker Hybrid**
36565 Basket: B136
Top 7-13/16" x 6" Tall x 3" Deep
34420 Lid 9" Round
34912 Weir 9-3/8"
34095 Control Plate



**Hayward
SP1070**
36540 Basket: B9
Top 8-3/16" x 5-3/16" Tall x 3-3/4" Deep
34447 Lid 10" Round
34948 Weir
34850 Vac. Plate
34290 Equalizer Valve



**Hayward
SP1082**
36680 Basket: B152
Top 7" x 3" Tall x 6-1/2" Deep
34440 Lid 10" Square
34950 Weir
34833 Vac. Plate



**Hayward
SP1084**
36680 Basket: B152
Top 7" x 3" Tall x 6-1/2" Deep
34435 Lid 8-3/4" Round
34950 Weir
34833 Vac. Plate



**Pentair
American Admiral**
36530 Basket: B37
Top 8-7/16" x 7-3/4" Tall x 7-1/2" Deep
34295 Floating Weir BEM
34430 Lid 9" Round
34435 Lid 9" w/Locking Tabs
34830 Vac. Plate
34850 Vari-Flo Valve



**Pentair
American S10 Admiral**
36492 Basket: B280
Top 8-1/2" x 6" Tall x 3-1/4" Deep
34410 Lid 9" Round
34416 Lid 9" w/Locking Tabs
34989 Weir
34830 Vac. Plate
34120 Equalizer Valve



**Pentair
Pac-Flo Bermuda**
36540 Basket: B9
Top 8-3/16" x 5-3/16" Tall x 3-3/4" Deep
685252 Lid 9-1/4" Round
34967 Weir
685657 Vac. Plate



**Pentair
Sta-Rite LE3**
36840 Basket: B9
Top 8-3/16" x 5-3/16" Tall x 3-3/4" Deep
34450 Lid 10" Round
34965 Weir
34830 Vac. Plate
34290 Equalizer Valve

Skimmer Parts
Baskets & Deck Lids



**SkimPro
Replacement Baskets**
34852 Fits: Baker Hydro
34850 Fits: Sta-Rite/Hayward
34851 Fits: Hayward 1002



**Festair
American FAS**
36500 Basket B172
Top 6-1/8" x 3-7/8" Tall x 4" Base
34350 Lid 7-1/4" Round
34910 Weir
34831 Vac. Plate



**Festair
Pac-Fish Skim-Clean**
36795 Basket B43
Top 7-1/4" x 4-5/8" Tall x 3-3/16" Base
34460 Lid 6-3/8" Round
34918 Weir 7-1/4"



**Waterway
Boregade**
621580 Basket (5.25" Tall)
Top 8.1" x 5-1/4" Tall x 3-3/4" Base
621650 Venturi Basket (8" Tall)
621680 Lid (White)
614228 Weir (White)

Above-Ground Pool Skimmer Parts:



**Hayward
SP1091**
36660 Basket
Top 5-13/16" x 3-3/8" x 4-11/16" Base
34200 Lid 7-9/16" Round
34201 Weir
34800 Vac. Plate



**Hayward
SP1096**
36655 Basket B168
Top 5-9/16" x 3" Tall x 3-1/8" Base
34430 Lid 6-5/8" Round
34952 Weir
34832 Vac. Plate 3-1/2" Hole
34835 Vac. Plate w/Elbow



**OLP Swimming
Olympic**
36790 Basket B213
Top 6-1/8" x 3" Tall x 4-1/8" Base
34310 Lid 7-3/4" Round
34960 Weir
34850 Vac. Plate



**Leslie's/Athletic
Festair Hydro Skim**
36792 Basket B217
Top 6-1/8" x 3" Tall x 3-1/8" Base
34405 Lid 7-11/16" Round
34962 Weir
34820 Vac. Plate

**AquaStar Round Main Drains
Drain Covers & Suction Outlet Covers**

AquaStar 8" And 10" Round Drain Covers

VG8 Compliant: ANSI/APSP 11-2011 & NSF/ANSI 30-2009a. Other Colors Available By Special Order (Black, Grey, Dark Grey & Tan)



324011 AQUASTAR (White)
8" Round Star Cover With Frame
Flow Rate: with 3" Sump
Dual 1.3 FPS @70 GPM
Single 16 sq. in. openings
Floor 2.8 FPS @143 GPM
Wall 1.7 FPS @84 GPM



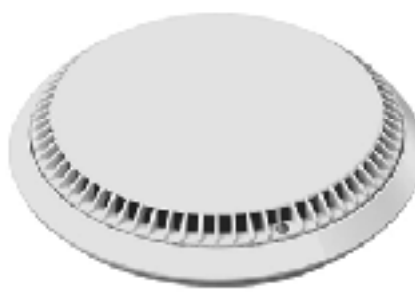
323801 LPAQUASTAR (White)
8" Round Low Profile Cover With Frame
Flow Rate:
Dual 1.3 FPS @61 GPM
Single 13.1 sq. in. openings
Floor 2.8 FPS @130 GPM
Wall 1.7 FPS @70 GPM



323803 BFLUENT01 (White)
8" Round Anti-Entrapment Cover/Frame
Flow Rate:
Dual 1.3 FPS @71 GPM
Single 13.1 sq. in. openings
Floor 2.2 FPS @110 GPM
Wall 2.1 FPS @105 GPM



324005 AADAPTFRAME (White)
8" Sump-less Cover With Adapt. Frame
Flow Rate:
Dual 1.3 FPS @147 GPM
Single 31.3 sq. in. openings
Floor 1.7 FPS @170 GPM
Wall 1.7 FPS @170 GPM



323500 BFLUENT01 (White)
10" Round Anti-Entrapment Cover With Frame
Flow Rate:
Dual 1.3 FPS @103 GPM
Single 11.2 sq. in. openings
Floor 4.8 FPS @165 GPM
Wall 2.8 FPS @95 GPM



323600 RICKER (White)
10" Ricker Catcher Cover With Frame
Flow Rate: With Cover
Single 29.4 sq. in. openings
Floor Only 0.7 FPS @50 GPM



326101 (White)
8" Round "Hockey Puck" Difflect Cover
Call for availability and colors
Flow Rate: Sump-less
Dual 6.3 FPS @224 GPM



326200 (White)
8" Round ManFlo Cover With Frame
Call for availability and colors
Flow Rate: 3" Sump Depth 2" Pipe
Single 35.6 sq. in. openings
Dual 1.3 FPS @78 GPM

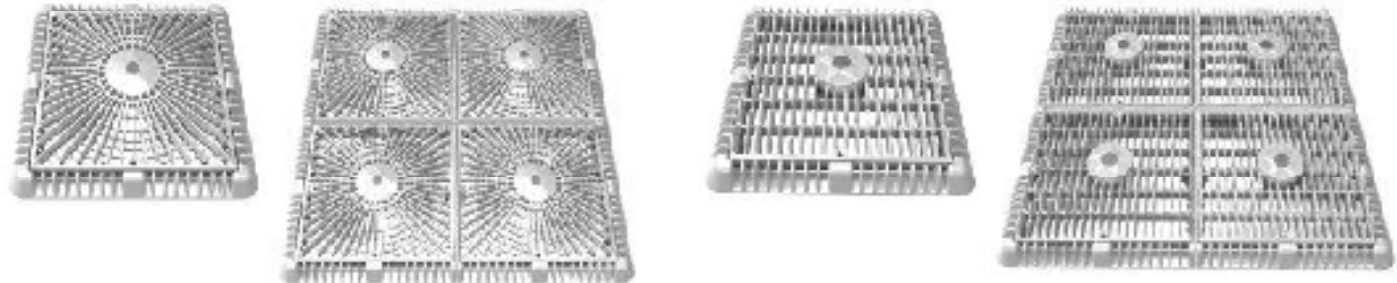


326100 (White)
10" Round ManFlo Cover With Frame
Call for availability and colors
Flow Rate: 3" Sump Depth 2" Pipe
Single 31.3 sq. in. openings
Dual 1.3 FPS @146.3 GPM

**AquaStar Square Main Drains
Drain Covers & Suction Outlet Covers**

AquaStar Square Drain Covers

VEB Compliant: ANSI/APSP 16-2011 & NSF/ANSI 30-2009a. Other Colors Available By Special Order [Black, Grey, Dark Grey & Tan]



Square Star Anti-Entrapment Covers

Cover with Vented Mud Frame [White]

VEB Compliant: ANSI/APSP 16-2011 & NSF/ANSI 30-2009a

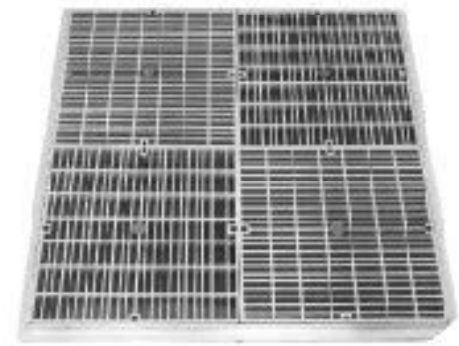
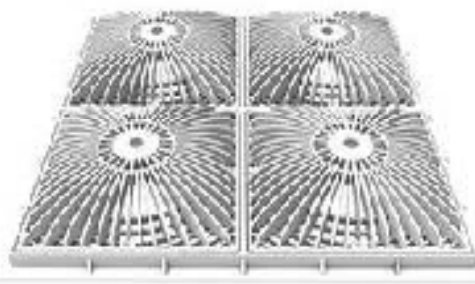
5"	32021	F9101
12"	32022	F12101
18" (4x9")	32023	F18101
24" (4x12")	32024	F24101
Flow Rate:		
5" Single	2.1 FPS	● 270 GPM
12" Single	1.3 FPS	● 360 GPM
18" Single	1.3 FPS	● 740 GPM
24" Single	1.3 FPS	● 1420 GPM

WAVE Anti-Entrapment Square Covers

Cover with Vented Mud Frame [White]

VEB Compliant: ANSI/APSP 16-2011 & NSF/ANSI 30-2009a

5"	32011	W05SM7101
12"	32012	W0612SM7101
18" (4x9")	32013	W0918SM7101
24" (4x12")	32014	W1224SM7101
Flow Rate:		
5" Single	1.1 FPS	● 625 GPM
12" Single	1.3 FPS	● 1444 GPM
18" Single	1.3 FPS	● 224 GPM
24" Single	1.3 FPS	● 361 GPM



MudFlo Anti-Entrapment Square Covers

Cover with Frame [White] for Dual Outlets

5"	CALL	5MF101
12"	CALL	12MF101
18" (4x9")	CALL	18MF101

VEB Compliant: ANSI/APSP 16-2011 & NSF/ANSI 30-2009a

Flow Rate:

5" Dual	1.3 FPS	● 172 GPM
12" Dual	1.3 FPS	● 333 GPM
18" Dual	1.3 FPS	● 625 GPM

24" Square Grid

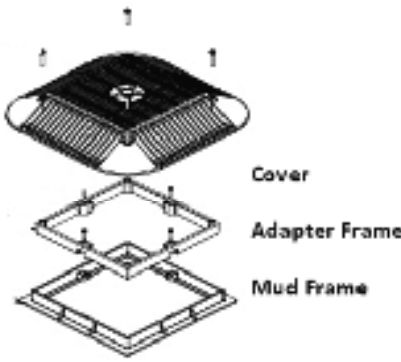
Four 12" Covers with Frame [White]

24" (4x12")	32906	24301
-------------	-------	-------

VEB Compliant: ANSI/APSP 16-2011 & NSF/ANSI 30-2009a

Flow Rate:

24" Single	1.4 FPS	● 1533 GPM
------------	---------	------------



14" & 16" Square Backdraft Anti-Entrapment Covers

14" Covers Replace Most Square Covers From 9" to 13" [White]

16" Covers Replace Most Square Covers From 12" to 15" [White]

VEB Compliant: ANSI/APSP 16-2011 & NSF/ANSI 30-2009a

14"	32710	514101
16"	32700	1216101
Flow Rate: <i>Adapter frame adapter required for screen installations</i>		
14" Single	2.1 FPS	● 360 GPM
14" Dual	1.3 FPS	● 334 GPM
16" Single	1.3 FPS	● 650 GPM
16" Dual	1.3 FPS	● 474 GPM



Hayward & Paramount Main Drains Drain Covers & Suction Outlet Covers

Paramount 500K Drain Covers
Fits Most Single or Dual Outlet Drains
From 3"-32" Round.

Flow Rates:
Dual 1.3 FPS @ 200 GPM
Floor 1.3 FPS @ 200 GMP
VGB Compliant: ASME A112.19.8-2009
Item# 004-192-2214-xx

Hayward Square Drain Covers
VGB Information & Flow Rates
VGB Compliant 2009
ASME A112.19.8b-2009 ANSI/APSP-16

1) Low Flow Velocity WG-LV2
SKU-32300-32305

Flow Rates: Dual 1.3 FPS @ GPM

Size	Floor	Wall
9x9	190	108
12x12	392	260
18x18	520	320

2) High Flow Velocity WG-HF2 Dual
SKU-32306-32311

Flow Rates: Dual 1.3 FPS @ GPM

Size	Floor	Wall
9x9	264	224
12x12	515	308
18x18	812	732

2) Hayward High Flow Anti-Entrapment Covers

Size	Part#	SKU
Replacement Covers with Inner Frame		
9"x9"	WG1031BLV2	32300
12"x12"	WG1032BLV2	32301
18"x18"	WG1033BLV2	32302
2-Pack Covers and Outer Frames		
9"x9"	WG1031LV2PAK2	32303
12"x12"	WG1032LV2PAK2	32304
18"x18"	WG1033LV2PAK2	32305

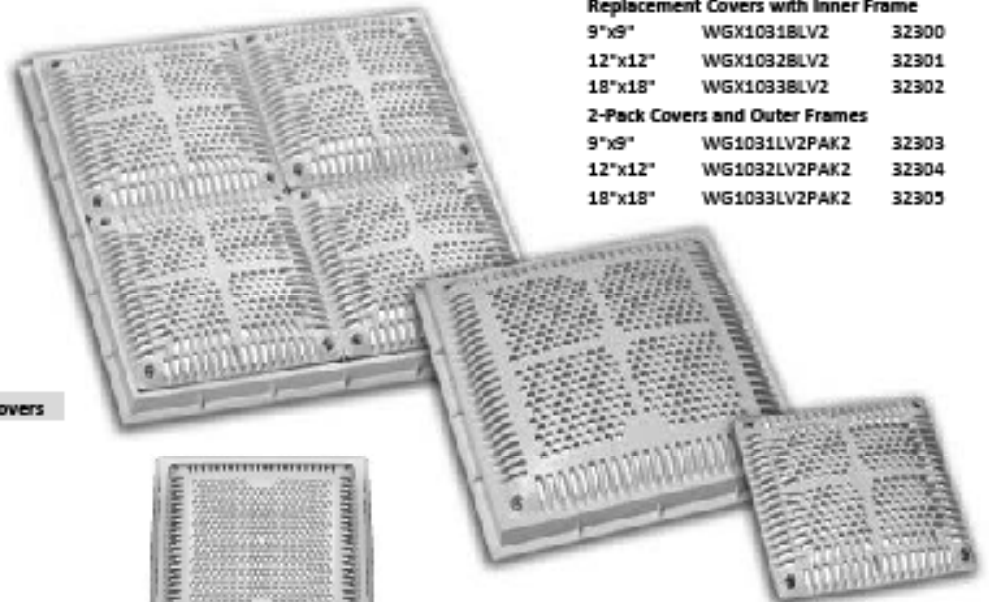
"Universal" Round Cover Fits up to 32" Floor Drains or Wall Outlets

Concrete Pools		Vinyl Pools		Equalizer Line	
Color	SKU	Color	SKU	Color	SKU
White	32876	White	32878	White	32896
Grey	32871	Grey	32879	Grey	32897
Black	32872	Black	32880	Black	32898
Taupe	32873	Taupe	32881	Taupe	32899
Blue	32874	Blue	32882	Blue	32900
Lt Blue	32875	Lt Blue	32883	Lt Blue	32891
Beige	32876	Beige	32884	Beige	32892
Lt Grey	32877	Lt Grey	32885	Lt Grey	32893



32-870

1- Low Flow



1) Hayward Square Anti-Entrapment Covers

Size	Part#	SKU
Replacement Covers with Inner Frame		
9"x9"	WG1031BLV2	32300
12"x12"	WG1032BLV2	32301
18"x18"	WG1033BLV2	32302
2-Pack Covers and Outer Frames		
9"x9"	WG1031LV2PAK2	32303
12"x12"	WG1032LV2PAK2	32304
18"x18"	WG1033LV2PAK2	32305

2- High Flow



Hayward 2" Anti-Entrapment Covers

Item#	SKU
Floor	WG00048E 32260
Wall	WG00048EM 32262

VGB Information & Flow Rates:
VGB Compliant ASME A112.19.8B-2009
ANSI/APSP-16
Flow Rates: Dual
Floor 1.3 FPS @ 123 GPM
Wall 1.3 FPS @ 72 GPM



32842 DS 3428
Drain Sock Anti-Entrapment Cover
Fits Most 9"x3" Sumps
Includes Cover and Adapter

VGB Information & Flow Rate:
VGB Compliant ANSI/ASME A112.19.8-2007
Flow Rate: Single 1.3 FPS @ 160 GPM
27.1 sq. inch openings



32848 DS 3088
Drain Sock Anti-Entrapment Cover
Fits Most 3" to 8" Round Sumps

VGB Information & Flow Rate:
VGB Compliant ANSI/ASME A112.19.8-2007
Flow Rate: Single 1.3 FPS @ 123 GPM
27.1 sq. inch openings

**Hayward Skimmers
SP1070 & SP1080 Series**

Hayward Skimmers SP1071 & 1071 Skim-Master Series

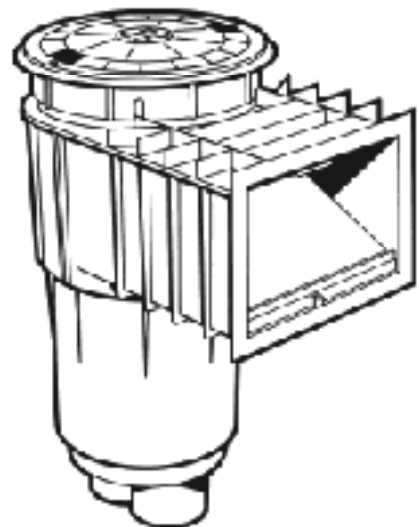
Key Part#	SKU	Description
SP9087023	688342	Retaining Screw, Cover
SP908702C	344467	Cover, White
SP908702C10	680731	Cover, Tin
SP908702B	680303	Adjusting Collar, White
SP908702B10	680730	Adjusting Collar, Tin
EC31819	44621	Adjusting Collar Screw
SP908702HML	348548	Wheir Assembly w/Bumper Pad (for 1070 Series)
SP908702L	626396	Wheir Assembly w/Bumper Pad (for 1071 Series)
SP908702E	36840	Basket - 8 1/4" O.D. x 3 1/4"
SP90882411B	680748	Flt-Control Slide Plate w/Screw
SP908702FV	34239	Flt-Valve Assembly
SP908702FA	680747	Flt-Control Trimmer Plate w/Screw

Hayward Skimmers SP1075, 1076 & 1077 Series

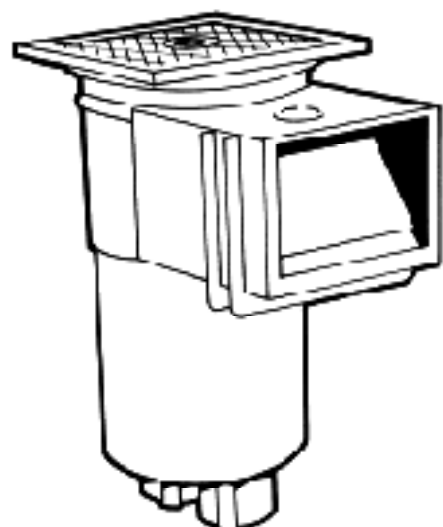
Key Part#	SKU	Description
SP90873C1	344468	Cover, White
SP9089429	688300	Screw, Cover
SP90873B	680746	Adjusting Collar
SP90882E	348130	Wheir
SP90882CA	36680	Basket - 6 1/2" O.D. x 3"
SP90873D	34437	Support Ring, Basket
SP90873F	680743	Flt-Control Slide Plate w/Screw
SP90873L	680744	Multi-Flt Valve Control (SP9073T)
SP90884L	34230	Face Plate (SP9076)
SP90883B	34212	Face Plate (SP9077)
SP90884B	64420	Gasket (SP9076)
SP90883D	688674	Gasket (SP9077)
SP908842AA	34712	Screw Set (Self-Tapping) (SP1076), Face Plate
SP908842AAM	688626	Screw Set - 1 1/4" long (Self-Tapping), Face Plate
SP9088321A	688089	Screw Set (Self-Tapping) (SP1077), Face Plate
SP9088321AM	688088	Screw Set - 1 1/4" long (Self-Tapping), Face Plate

Hayward Skimmers SP1082, 1083, 1084, 1085 & 1086 Series

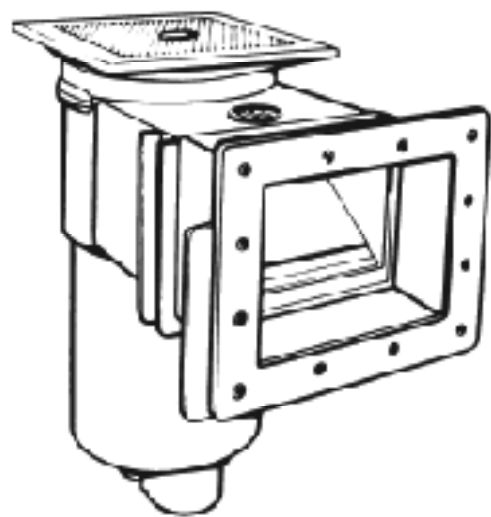
Key Part#	SKU	Description
SP90882E	344460	Cover, Square
SP9088221	688301	Cover Screw (Square Cover)
SP90882F	348290	Adjusting Collar
SP90884L	34433	Cover, Round
SP9089429	688300	Screw, (Round Cover)
SP90884F	680738	Adjusting Collar
SP90882CA	36680	Basket 6 1/2" O.D. x 3"
SP90882D	34437	Support Ring, Basket
SP90882E	348130	Wheir
SP90882H1A	34777	Slide Plate with Screw
SP9088223	688120	Hose Adapter
SP9088221	688402	2" Pipe Plug
SP9088222	68840	2" x 1 1/2" Reducing Bushing
SP90884L	34230	Face Plate (SP9084)
SP90883B	34212	Face Plate (SP9083)
SP90884B	64420	Gasket (SP9084)
SP90883D	688674	Gasket (SP9083)
SP90884C	680732	Spacer (SP9084)
SP9088421A	688343	Screw Set (SP9084), Face Plate
SP908842AA	34712	Screw Set (Self-Tapping) (SP1084), Face Plate
SP908842AAM	688626	Screw Set - 1 1/4" long (Self-Tapping), Face Plate
SP9088321A	688089	Screw Set (Self-Tapping) (SP1083), Face Plate
SP9088321AM	688088	Screw Set - 1 1/4" long (Self-Tapping), Face Plate
SP90884B3	CALL	Gasket - SP1084COM
SP90883B3	CALL	Gasket - SP1083COM
SP90882EA	680736	Basket with Slower
SP90882AA	680733	Flt-Selector Control with Valve
SP90883D	680730	Skimmer Throttling Plate



SP1071



SP1082



SP1084

Hayward Skimmers SP1089

Key Part#	Sku	Description
SPC1089B	34401	Cover
SPC1089GA	600733	Basket Assembly
SPC1089K	34932	Wheir
SPC1089L	34210	Face Plate
SPC1089B	64420	Gasket
SPC1089GA	34712	Screw Set, Face Plate

Hayward AG Skimmers SP1090-1090WM & 1092

Key Part#	Sku	Description
SPC1090CA	36603	Basket, 3 1/8" O.D. x 3"
SPC1090B	34430	Cover
SPC1090A2	600708	Support Ring, Basket
SPC1090K	34936	Wheir
SPC1090D	34213	Face Plate
SPC1090G	64800	Gasket
SPC1090GA	34723	Throat Plate with Screw
SPC109021A	34223	Screw Set, Face Plate
SPC109021C	34220	Screw Set—1 1/4" long, Face Plate
SPC1090FA	600806	Body with Basket Ring
SPC1090ZC	34010	Access Plug

White-Mount Skimmer Parts (SP1090WMS)

SPC1090WMSV	CPML	Cover
SPC1090WMSB	623806	Skimmer Basket
SPC1090WMSW	613008	Wheir
SPC1090WMSA	613011	Vacuum Adapter
SPC1090WMSFP	CPML	Face Plate
SPC1090WMSG	CPML	Sealing Gasket (Set of 2)

Hayward AG Skimmers SP1091-1091WM

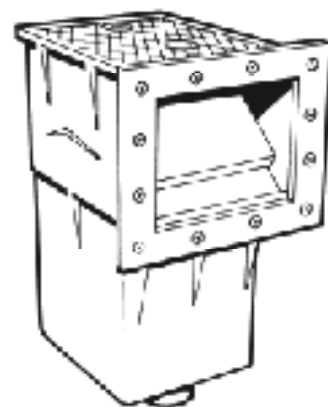
Key Part#	Sku	Description
SPC1091B	34200	Skimmer Cover
SPC1091C	36600	Basket with Handle
SPC1091K1	34201	Wheir
SPC1091D	34202	Face Plate, Standard
SPC1091F	34204	Face Plate, Widesmouth
SPC1091E	613000	Widesmouth Extension
SPC1091G	64430	Gasket STD, Butterfly
SPC1091GAW	64431	Gasket Widesmouth, Butterfly
SPC109026A	613009	Screw Set, Standard
SPC109027A	34203	Screw Set, Widesmouth

Hayward Skimmers SP1094-Series & SP10950M

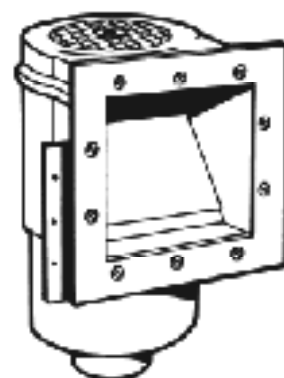
Key Part#	Sku	Description
SPC1094FA	36600	Basket—4 3/4" O.D. x 3"
SPC1094C	34421	Cover
SPC1094K	34933	Wheir
SPC1094B	600728	Face Plate
SPC1094G	64800	Gasket (SPC1090E for SP10940M)
SPC109021A	34223	Screw Set, Face Plate
SPC109021C	34220	Screw Set—1 1/4" (SP10940FA), Face Plate
SPC1094R	600727	Face Plate Cover—Snap-On

Hayward Skimmers SP1096, 1097 & 1098 Series

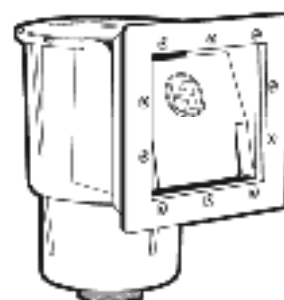
Key Part#	Sku	Description
SPC1096B	34430	Cover
SPC1096A2	600709	Adjusting Collar
SPC1096CA	36603	Basket, 3 1/8" O.D. x 3"
SPC1096A2	600708	Support Ring, Basket
SPC1096K	34936	Wheir
SPC1097D	600707	Face Plate (SP1097, 1098)
SP1097E	600673	Gasket (SP1097, 1098)
SPC109021A	34223	Screw Set, Face Plate



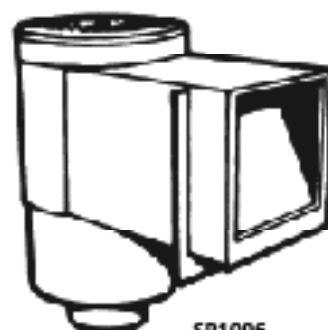
SP1089



SP1090



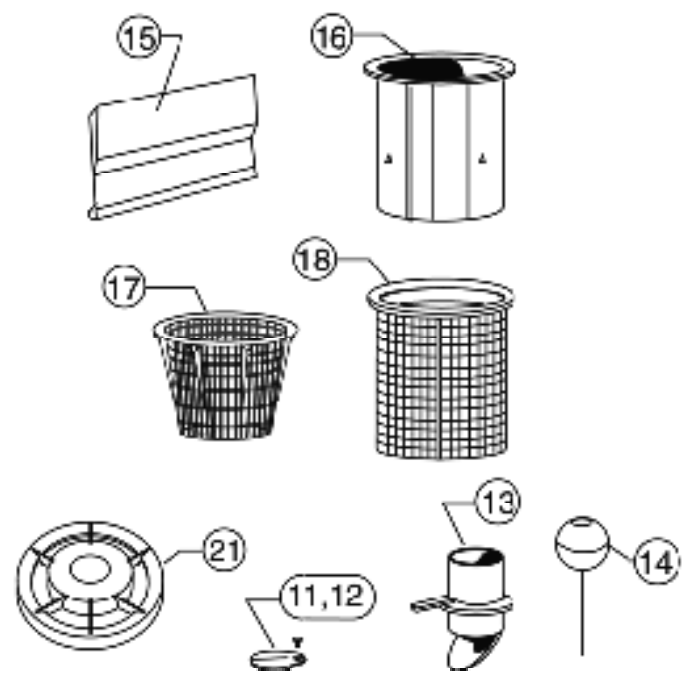
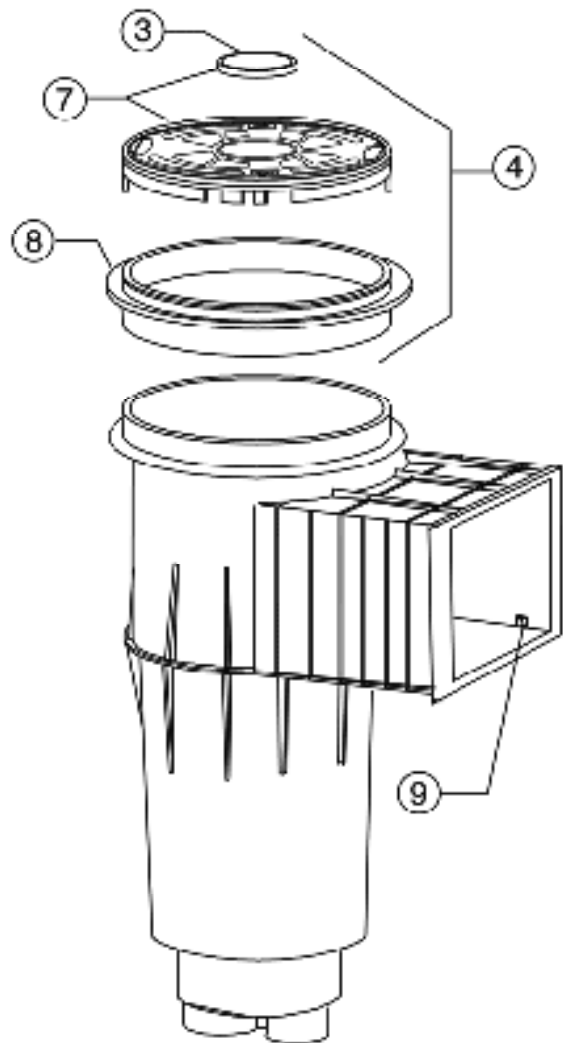
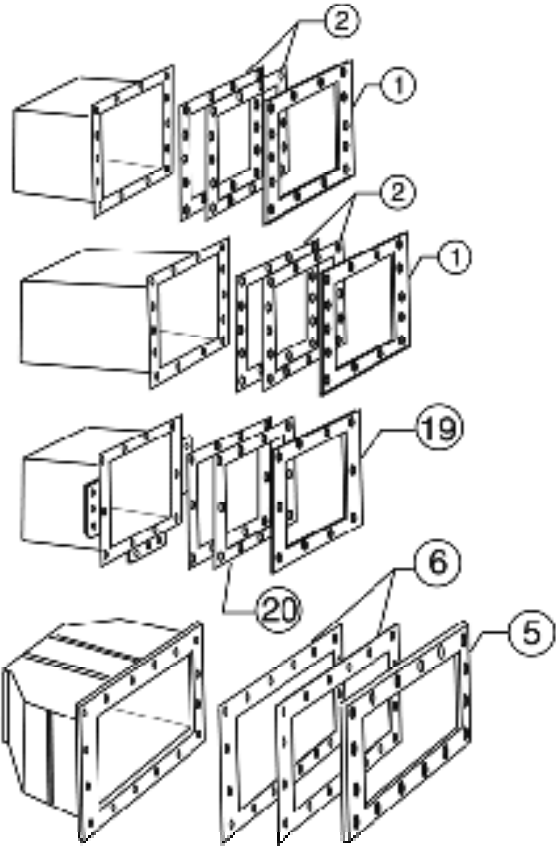
SP1091



SP1096

Pentair Skimmers
Admiral (American)

Key	Part#	SKU	Description
1a	SC004200	600649	Face Plate, White (12-Hole Pattern)
1b	SC004211	CALL	Face Plate, Black (12-Hole Pattern)
1c	SC004213	CALL	Face Plate, Dk Grey (12-Hole Pattern)
2	SC001800	622437	Gasket, Face Plate
3	330161	600479	Logo Disc
4a	SC000400	CALL	Lid, Ring & Seat (White)
4b	SC000411	CALL	Lid, Ring & Seat (Black)
4c	SC001800	CALL	Lid, Ring & Seat (Tan)
5	SC007600	600478	Face Plate, Wide Mouth
6	SC007700	600531	Gasket, Wide Mouth Face Plate
7a	L480W	34418	Lid, Old Style (SC00003)
7b	SC007400	34416	Lid, Lock Down (White)
7c	SC007411	CALL	Lid, Lock Down (Black)
7d	SC007413	CALL	Lid, Lock Down (Grey)
7e	SC007430	34417	Lid, Lock Down (Tan)
8	SC000000	600632	Deck Ring 9" Round, White
9	SC001700	600644	Front Tank, W/scr
11	SC002400	600630	Valve Plate
12	90024000	34313	Screw, 10-24 x 1/2" SS
13	SC002500	34830	Vari-Flo Valve
14	SC002600	600643	Ball Valve, Assy.
15	SC001300	34909	Weir Flap
16	B-38	34231	Flanking Weir (R38D138)
17	B-200	36092	Basket, Tapered (SC0014000)
18	B-37	36030	Basket, Straight (R38D134)
19	SC000300	600648	Face Plate, White (10-Hole Pattern)
20a	SC111800	CALL	Gasket, for Double Wall (10-Hole Pattern)
20b	SC111700	CALL	Gasket, for Single Wall (10-Hole Pattern)
21	SC001500	34128	Equalizer Valve, Assy.
21a	355330	66493	O-ring, Equalizer Valve



Pentair Skimmers
Bermuda (Pac-Fab) & FAS (American)

Pentair (Pac-Fab) Bermuda Skimmers

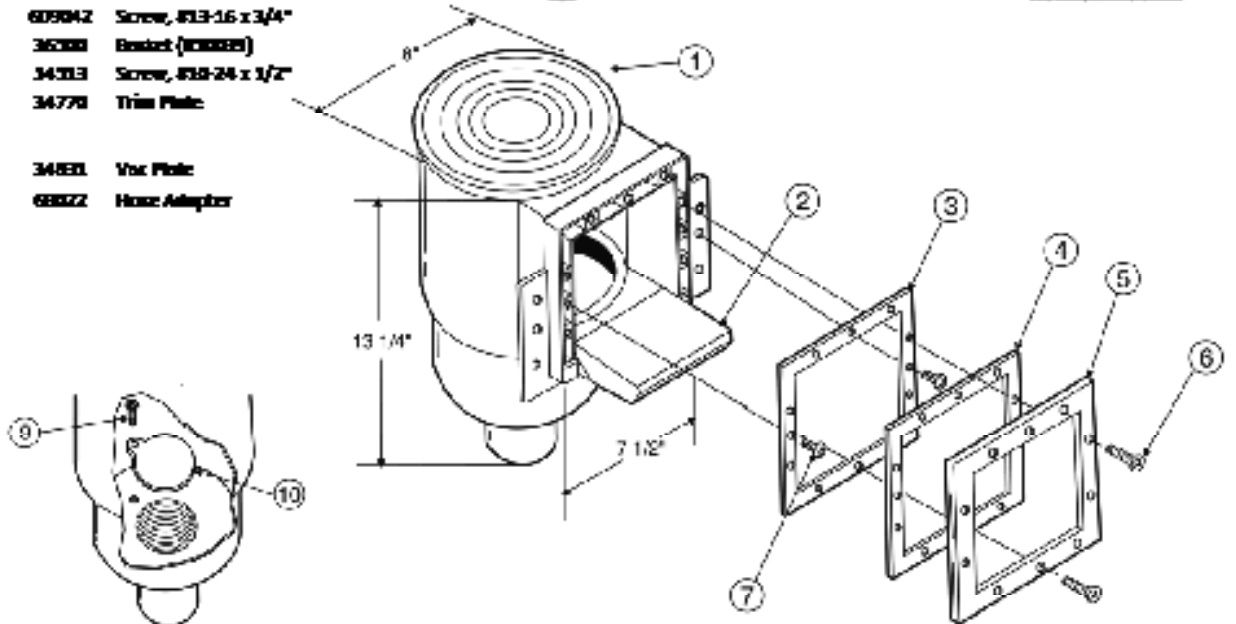
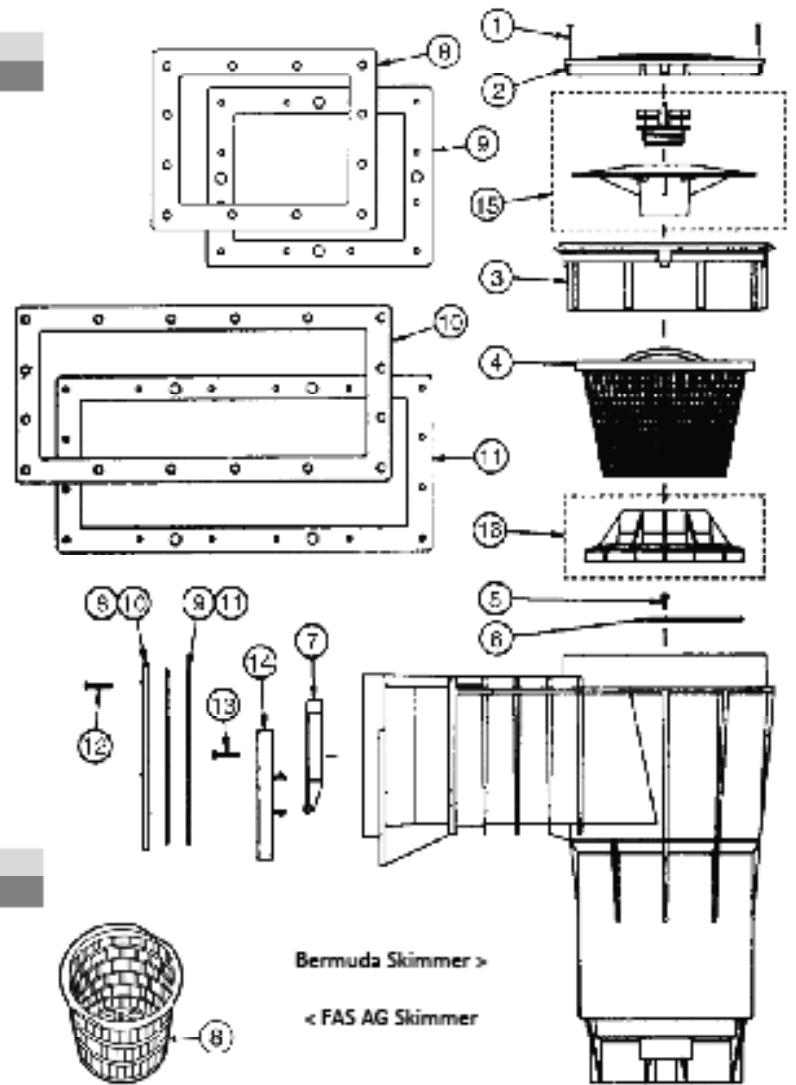
Key	Part#	Sku	Description
1	116242	608776	Screw, 8-32 x 1" SS [2-req.]
2a	116219	609292	Deck Lid, White
2b	116236	609293	Deck Lid, Tan
2c	116306	609491	Deck Lid, Black
3a	116233	609290	Deck Collar, White
3b	116238	609249	Deck Collar, Tan
3c	116239	609490	Deck Collar, Black
4	B-9	36940	Basket (116112)
5	116243	608773	Screw, #8 x 1/2" SS
6	116228	609248	Trim Plate
7a	116232	34967	Weir Gate, White
7b	116319	609486	Weir Gate, Black
8a	116264	62298	Face Plate Kit, White
8b	116334	62299	Face Plate Kit, Black
9	116265	608933	Gasket, Face Plate
10	116269	62297	Face Plate Kit, Wide Mouth
11	116231	608934	Gasket, Wide Mouth
12	116239	608980	Screw, Face Plate, #12-8 x 1" SS
13	116241	608978	Screw, Face Plate, #12-8 x 1-1/4" SS
14	116237	609481	Spacer, Flange
15	306361	609897	Valv. Plate
16a	306360	609247	Float Valve Assy.
16b	193829	609247	O-Ring, 2" Plug
16c	O-24	66486	O-Ring, 2" Plug (193823)
16d	O-121	66618	O-Ring, 1-1/2" Plug (191474)
16e	306362	622486	Equalizer Valve Assy.

Pentair (American) FAS AG Skimmers

Key	Part#	Sku	Description
1	20004700	34200	Lid
2	20003200	34950	Weir
3	6-234	64003	Gasket, Skimmer (200033)
4	6-233	64002	Gasket, Face Plate (200034)
5	20004000	34724	Face Plate
6	50202900	609139	Screw, #13-16 x 1"
7	50203000	609042	Screw, #13-16 x 3/4"
8	B-172	36200	Basket (200030)
9	50204400	34313	Screw, #10-24 x 1/2"
10	20003600	34770	Trim Plate

Mat Skimmer

20002800	34831	Valv. Plate
110966	68922	Hose Adapter



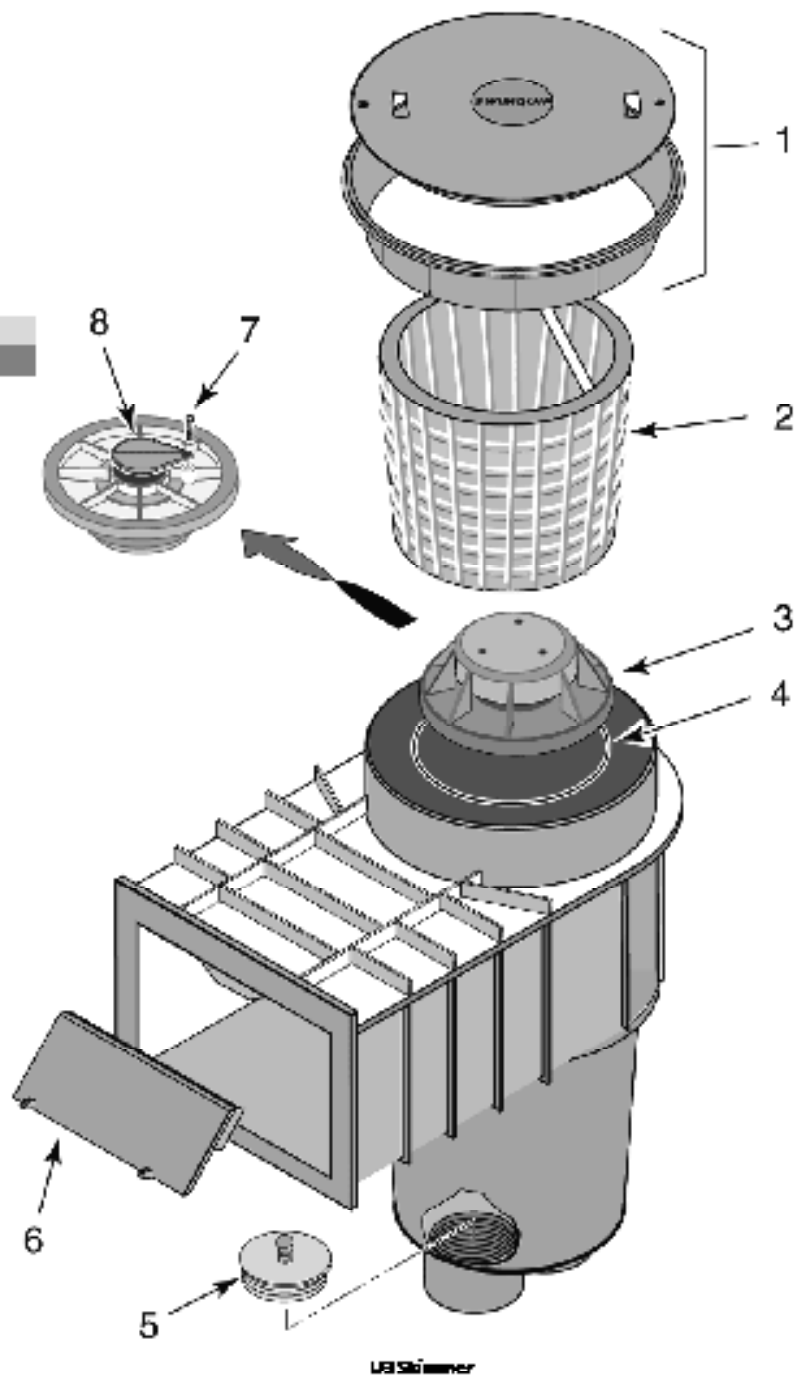
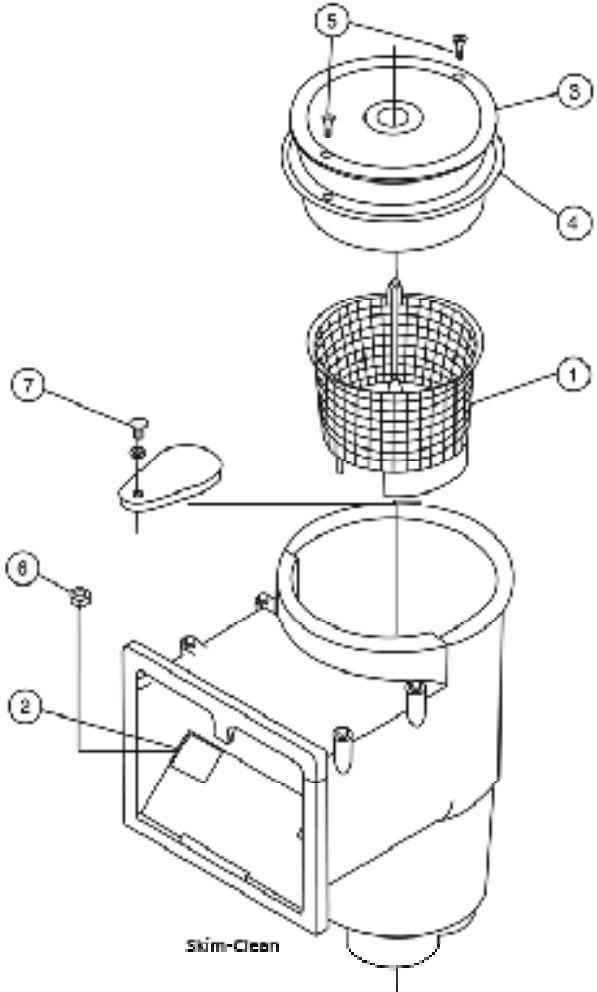
Pentair Skimmers
Skim-Clean (Pac-Fab) & U3 (Sta-Rite)

Pentair/Sta-Rite U3 Skimmers

Key	Part#	SKU	Description
1a	L110W	34430	Deck Lid (Generic)
1b	08600-0130	34473	Deck Lid (Tan)
1c	08600-0160	62260	Lid and Collar - (White)
1d	08600-0160C	62260	Lid and Collar (Gray)
2	B-9	36240	Basket (08600-0007)
3	08600-0070	34240	Front Assembly with O-Ring
4	O-100	62300	O-Ring, Valve (33300-1270)
5	08600-0007	61300	Check Valve, 2" Spring
6a	08600-0022	34900	Hinged Weir Assy.
6b	34924	34924	Weir Gate 8-3/8" (Generic)
7	37200-0027	CALL	Screw, 8x1/2"
8	08600-0048	34130	Equalizer Flap
—	08600-0042	34040	Vec. Plate

Pentair (Pac-Fab) Skim-Clean Skimmers

Key	Part#	SKU	Description
1	B-43	36700	Basket (33300)
2	34918	34918	Weir Gate 7-1/4" (Generic)
3	L3R	34460	Deck Lid (33300)
4	313001	62000	Deck Ring
5	312140	CALL	Screw, 3/8-32 x 7/16" SS
6	192106	62000	Mat, 1/4" 820 SS
7	96204000	34313	Screw, 21D-24 x 12"



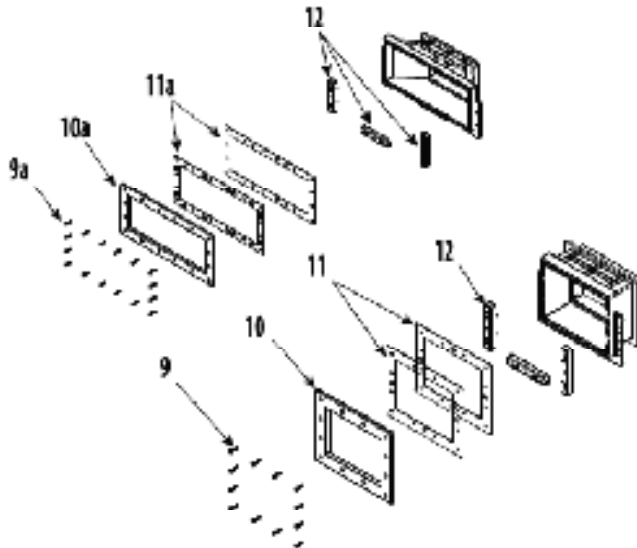
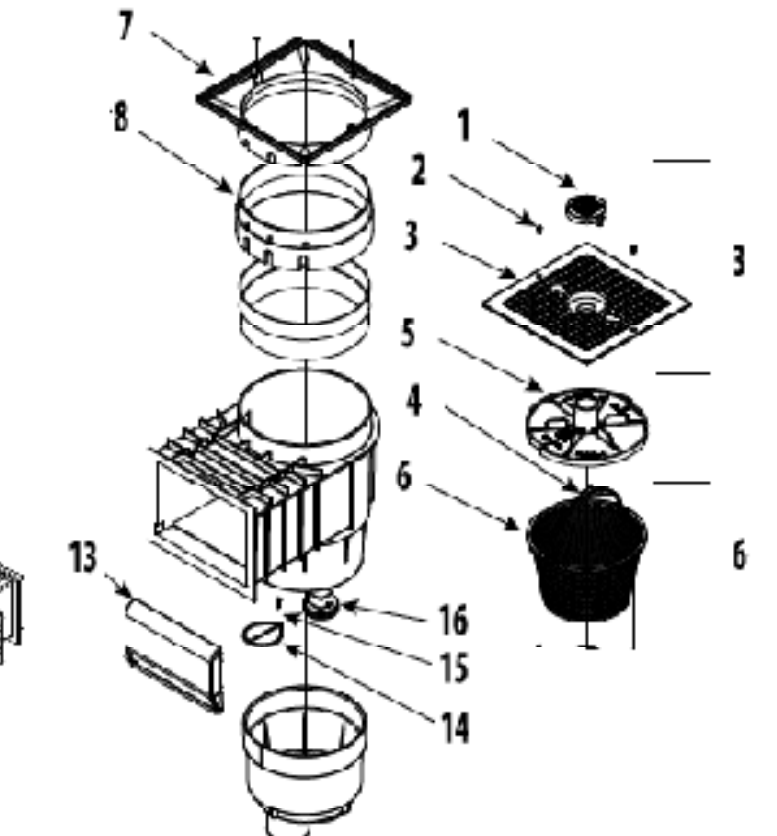
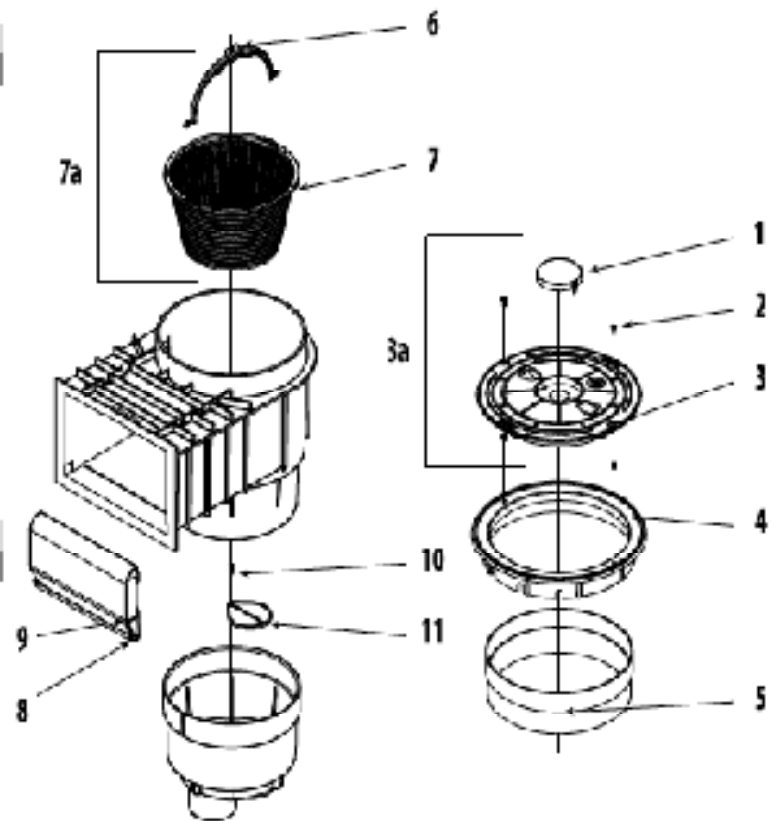
Waterway Skimmers Renegade In-Ground Skimmers

Waterway Renegade Skimmer for In-Ground Pools

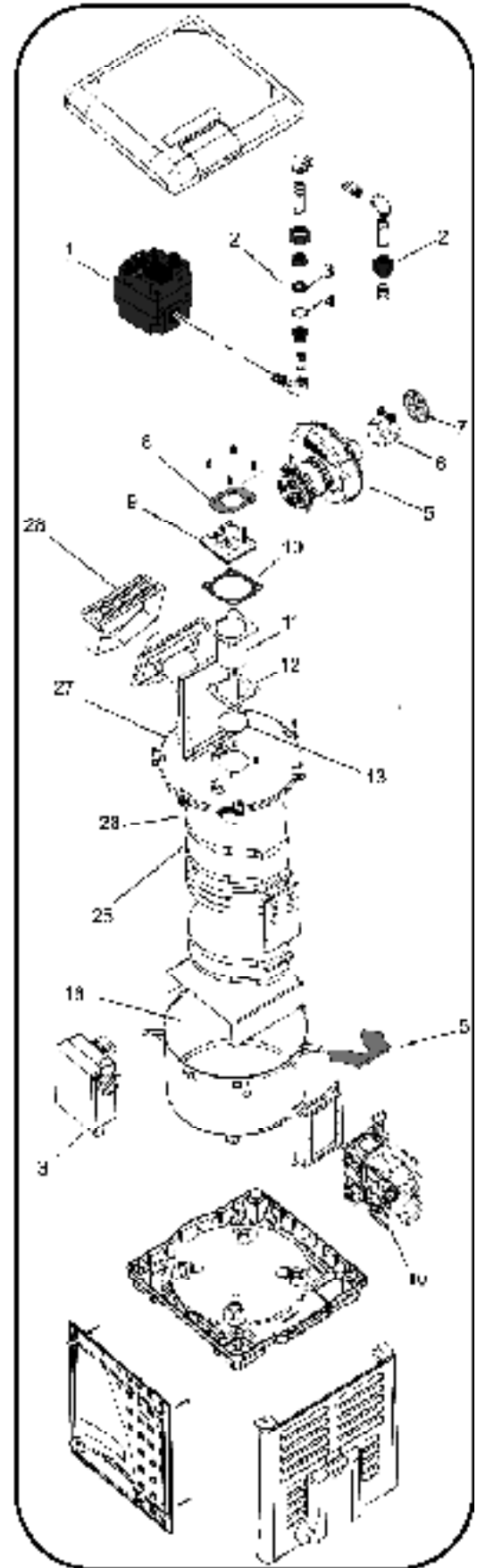
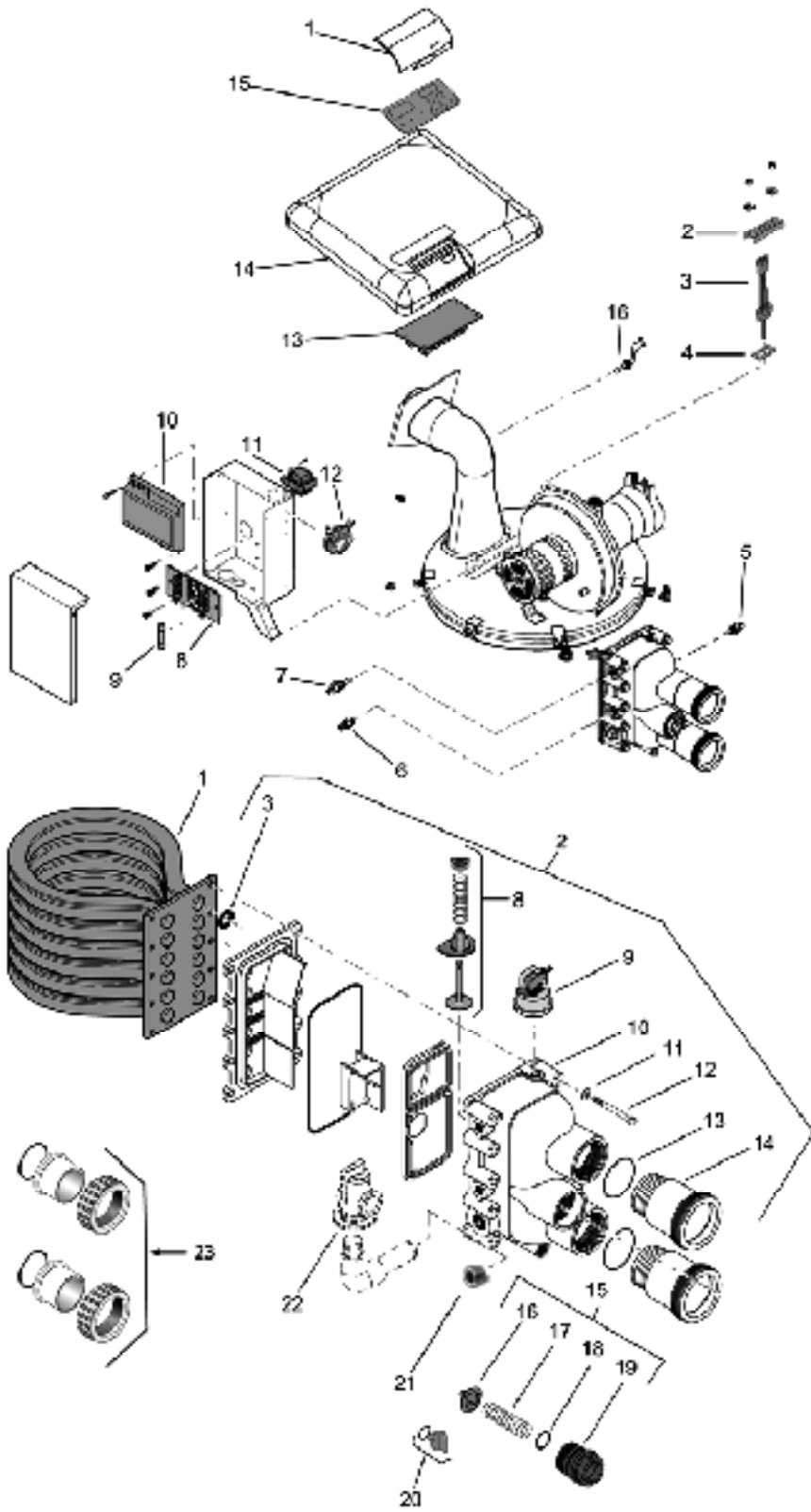
Key	Part#	Sku	Description
1	315-6460	CALL	Blank Lid Insert
2	215-0003	604303	Screw 20-32 x 7/16"
3a	315-6460	621600	Lid - White
3b	315-6478	621702	Lid - Tan
3c	315-6471	621703	Lid - Black
3d	315-6477	621700	Lid - Grey
4	315-6420	621607	Lid & Mounting Ring - White
5	315-6370	621604	Mounting Ring Extension
6	315-3290	603203	Handle, Basket
7a	342-3240	621609	Basket with Handle, Standard
7b	342-3600	621608	Venturi Basket, Deep
8	300-9500	604229	Weir Door Assembly
9	263-6200	CALL	Foam, Weir Door
10	215-6300	621393	Screw 20 x 3/8" Flat. Pan Head
11	315-6470	621472	Driveter Plate

Waterway Renegade Skimmer for Vinyl Liner & Fiberglass Pools

Key	Part#	Sku	Description
1	315-6460WW	CALL	Logo Insert, Lid
2	215-0003	604303	Screw 20-32 x 7/16" [2 req.]
3	340-6460WW	621713	Square Lid with Logo Insert
4	315-3290	603203	Handle, Basket
5	315-6460	621604	Vacuum Plate
6	342-3240	621609	Basket Assembly with Handle
7	315-9310	621601	Square Collar
8	315-6360	CALL	Extension Ring
9a	215-6240	CALL	Screw 212 x 1-1/4" (Vinyl Pools)
9b	215-6200	CALL	Screw 212 x 1-1/2" (Fiberglass Pools)
10	315-9300	621607	Face Plate - Standard
10a	315-9300	621726	Face Plate - Wide Mouth
10b	315-9300	621607	Face Plate - For Fiberglass Pools
11	711-9310	621604	Gasket - Standard (2 req.)
11a	711-9320	621707	Gasket - Wide Mouth (2 req.)
12	713-9300	621379	Spacer (3 required)
13	300-9600	621609	Weir Door Assembly
14	315-6470	621472	Driveter Plate
15	215-6300	621393	Screw - 8 x 3/8"
16	713-9310	603423	2" NPT Plug

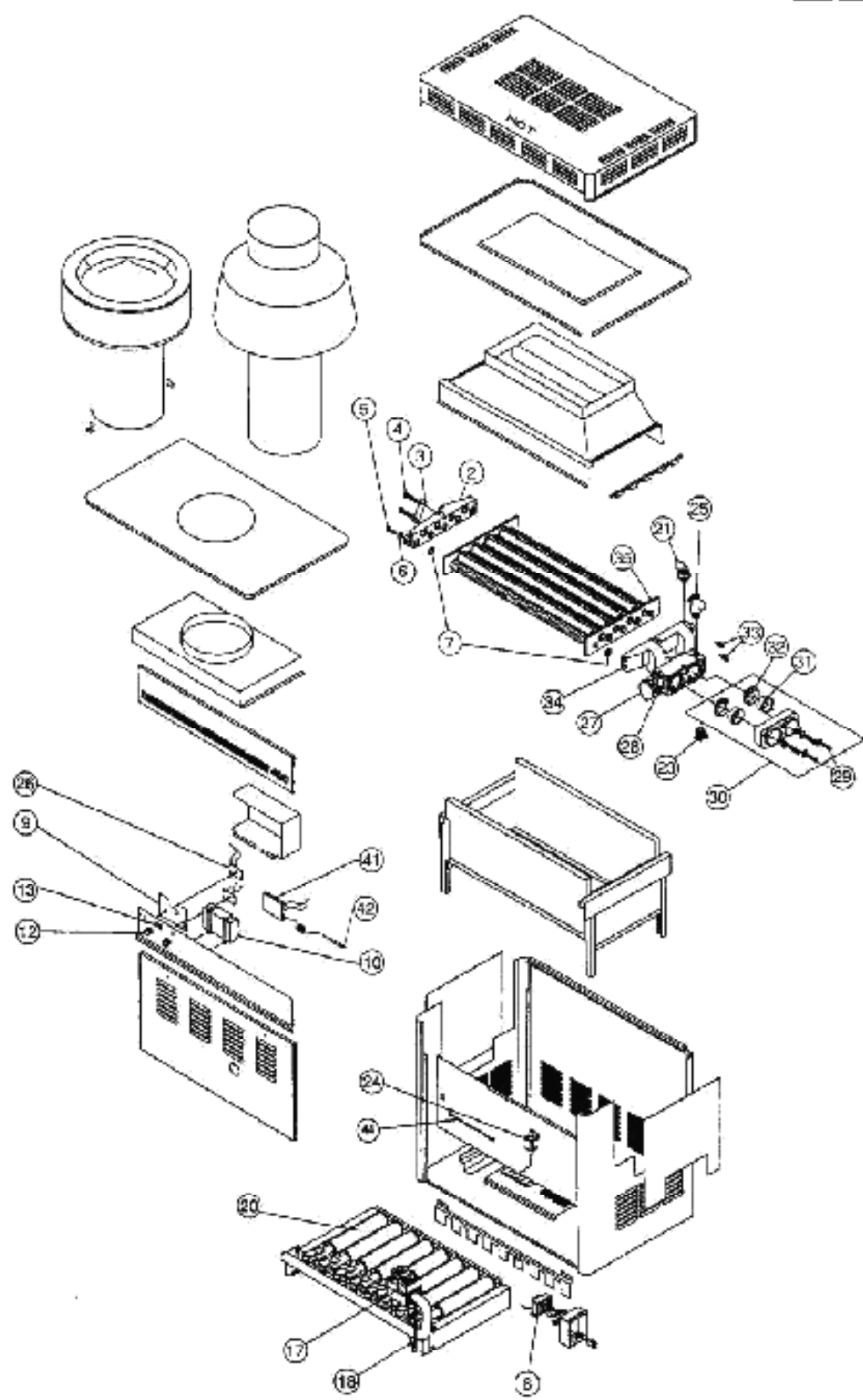


Pentair Heaters
MasterTemp



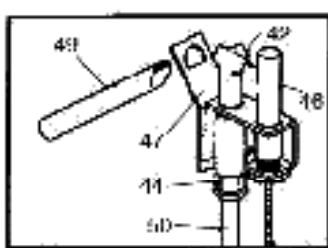
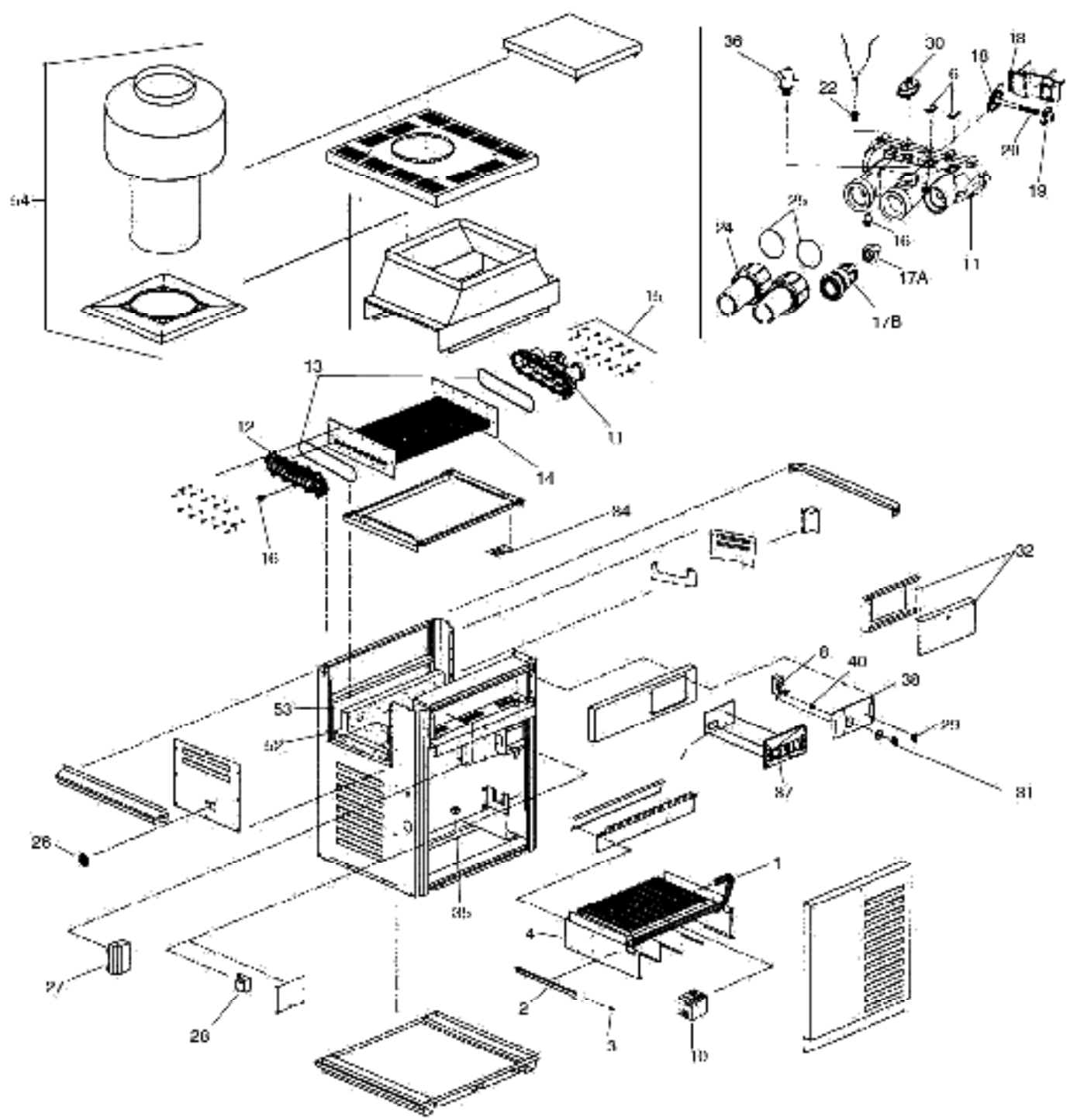
Key	Part#	Sku	Description	Key	Part#	Sku	Description
1	42881-00015	604388	Gas & Control Valve	11	32800-00089	604347	Fuse, Fireman's Switch
2	329404-40975	604387	Union, 3/4" (Does not incl. IPI-4)	12	42881-00025	604346	Ignition Control Module
3a	77787-0231	626377	Air Blower Kit, 175-200 Med. Gas	13	42881-01075	626201	Transformer 1.12/230V
3b	468743	626317	Air Blower Kit, 200 Med. Gas	14	42881-00625	604344	Switch, Air Flow
3c	468737	626323	Air Blower Kit, 300 Med. Gas	15	42882-00075	604342	PC Control Board (MA/LP Series)
3d	77787-0233	626381	Air Blower Kit, 400 Med. Gas	17	42882-00842	626203	Top, Heater
3e	77787-0234	626376	Air Blower Kit, 175-200 Propane	18	4726382	626229	Membrane Pad (MA/LP Series)
3f	468744	626318	Air Blower Kit, 200 Propane	19	42882-00045	626974	Sensor, Flame
3g	468738	626326	Air Blower Kit, 300 Propane	"	42881-01045	626205	Wire Harness
3h	77787-0236	626380	Air Blower Kit, 400 Propane	"	42881-01005	626208	Plug Kit 1.25/240V
7	42881-01345	N/A	Obsolete- Orifice (Use Boss# 16)	"	472734	622812	Label Assy., Board
Air Orifice Kits				Water Systems			
16a	42881-02085	626381	Combustion Chamber (Pre-2009)	3a Take-Street Coil Assy. (Pre-2009)			
16b	474293	CALL	Combustion Chamber (2009-)	77787-0232	604303	175-200 BTU	
27a	42881-02345	604287	Metal Elbow, Chamber (Pre-2009)	468747	CALL	200 BTU	
27b	474294	CALL	Metal Elbow, Chamber (2009-)	77787-0233	604304	300 BTU	
27c	474281	CALL	O-ring, Take (2009-)	77787-0234	604305	400 BTU	
3-4 Gas Orifice Kits				473718	626238	HD-200 BTU	
468736	CALL	Med. Gas 175	77787-0244	621113	HD-400 BTU		
77787-0431	626384	Med. Gas 200	3b Take-Street Coil Assy. (2009-)				
468735	626314	Med. Gas 200	474288	CALL	175-200 BTU		
468733	626329	Med. Gas 300	474289	CALL	200 BTU		
77787-0431	626383	Med. Gas 400	474290	CALL	300 BTU		
468737	CALL	Propane 175	474291	CALL	400 BTU		
77787-0461	626386	Propane 200	474292	CALL	HD-200 BTU		
468740	CALL	Propane 200	474293	CALL	HD-400 BTU		
468734	626324	Propane 300	2 Blower Manifolds				
77787-0441	626385	Propane 400	Manifold Kits, Includes:				
6-7 Air Orifice Kits				-Water Systems Items# 3-14 & 21			
468738	CALL	175 BTU	-Electrical Systems Items# 7-9				
77787-0131	626381	200 BTU	2	474280	CALL	Manifold Kit (incl. IPI-3, 10-14) Basic	
468741	626319	200 BTU	2a	77787-0034	621861	175-200 BTU	
468739	626327	300 BTU	2b	468748	626221	200 BTU	
77787-0133	626382	400 BTU	2c	77787-0035	621862	300 BTU	
30-43 Flame-Halter Kits				2d	77787-0036	621863	400 BTU
77787-0202	604318	175-200 BTU	3a	77787-0117	604382	O-Ring Kit (6-pt), Coil Assy. 175-200	
468746	CALL	200 BTU	3b	468749	626222	O-Ring Kit (8-pt), Coil Assy. 200	
77787-0203	604317	300 BTU	3c	77787-0118	604381	O-Ring Kit (10-pt), Coil Assy. 300	
77787-0204	604316	400 BTU	3d	77787-0119	604380	O-Ring Kit (12-pt), Coil Assy. 400	
8-10,12	77787-0011	604319	Gasket Kit, Blower Adapter Plate	3 & 3	77787-0120	626927	O-Ring Kit (incl. 83 & 3)
Electrical Systems				8	77787-0001	604295	By-Pass Valve Kit
2	42882-00132	CALL	Cover, Display	9	42881-00605	604299	Water Pressure Switch
3	42881-00845	604303	Igniter Bracket	14	77787-0017	626947	Connector Tube w/O-ring ex.
4	77787-0004	604304	Gasket Kit, Igniter (incl. 24-3)	15	77787-0030	604294	Thermal Regulator Kit (incl. IPI-15)
5	42881-00665	604305	Gasket, Igniter	16	38000-00075	626208	Thermal Regulator w/Spring Clip
7	42882-00235	604302	Gas Auto Shut Off Switch	18	33000-1313	60003	O-Ring, Therm. Regulator
8	42881-00635	604301	High Limit Switch	20	L178-3120P	603839	Drain Plug
9	42881-00035	604300	Thermistor	21	L178-60895	626223	Pipe Plug, 3/4"
10	42881-00045	604308	Terminal Board	22	4737132	32003	Pressure Release Valve
				23	PEG-188	608468	Union

Key	Part#	SKU	Description	Key	Part#	SKU	Description
5 Blower w/Gasket							
	472361	622841	200, 230T5I & 300 w/DOFC Cont.	32a	460759Z	622638	Ignitor (NT, TSI w/2000 Cont.)
	472362	622842	230, 300STD/LN & 400LN	32b	472477Z	622623	Ignitor (NT, TSI w/DOFC Cont.)
	472374	622848	400STD/NT	33	472370	622348	Window Glass w/Handle
	472324	MLA	Diagnose- 400T5I & 300T5I	34	472231	CALL	Flame Sensor
6	472628	622363	Gasket, Blower	33a	472225	MLA	Diagnose- Use Item# 33
9	472591	622384	Return Heater Only	33b	472286	622669	Gas Manifold, 0-4000 FT 230
10	472622	622387	Ball, Heat Exchanger	33c	472287	MLA	Diagnose- Use Item# 33
11	72384	40903	Washer, Heat Exchanger	33d	472288	622700	Gas Manifold, 0-4000 FT 400
13a Heat Exchanger with Blowers				35	472434	CALL	Gas Orifice, 0-2999 FT
	470371	622918	ASME 200 NT STD	37	472211	622690	Burner
	470372	622927	ASME 230 NT STD	41	472013	622743	Junction Box
	470373	622928	ASME 300 NT STD	42		CALL	Air Pressure Switch
	470373	622929	ASME 400 NT STD	43a	472130	622726	Ignition Control (NT & TSI Cont.)
	472518	622907	200 BTU	43b	472447	622729	Ignition Control (STD & LN Cont.)
	472783	622918	230 BTU	43d	472449	622833	Ignition Control (w/2000 Cont.)
	472928	622913	300 BTU	43c	472080	MLA	Diagnose- Ignition Control
	472838	622928	400 BTU	44a	472086	622834	Temp. Controller (w/2000 Cont.)
13b Heat Exchanger With/Out Blowers				44b	472100	622834	Temp. Controller (w/DOFC Cont.)
	472583	622827	200 BTU	45	472088	622622	Gas Pressure Switch
	472584	622881	230 BTU	46	472297	622473	Sub-Gas Manifold
	472583	622867	300 BTU	47	460760	622775	Gas Valve, Nat. Gas
	472584	622889	400 BTU	48a	471905	MLA	Diagnose- Burner Tray 230
34 Ballflex, Heat Exchangers				48b	472096	622885	Burner Tray 230
	472642	622246	200 BTU	48c	471923	622382	Burner Tray 300
	472641	622249	230 BTU	48d	471981	622823	Burner Tray 400
	472896	622297	300 BTU	49	471696	622638	Ignitor Restr. Kit (NT & LN)
	472648	622288	400 BTU	50		CALL	Gas Manifold
15	471366	622308	Probe, Thermistor	51	471584	622275	Gas Orifice, 0-2999 FT
16	471367	622489	High Limit 113°F	52	471668	622382	Burner
17	472694	622496	High Limit 130°F	53	472363	622637	Sub-Gas Manifold (NT & STD)
18a	472603	622343	Pressure Switch (Repl# 472123)	54a	460760	622775	Gas Valve, Nat. Gas
18b	470790	633372	Pressure Switch (ASME, NT & STD)	54b	460761	622776	Gas Valve, Propane
19	472363	622673	Inf/Out Top Sub-Header	55		CALL	Burner Tray
20	472592	622883	Inf/Out Main Header	56a	460759Z	622638	Ignitor (2000 Cont.)
21	472364	622682	Inf/Out Bottom Sub-Header	56b	472604	622372	Ignitor (DOFC Cont.)
22	472428	622332	Cap, Bottom Sub-Header	57	471608	622413	Flame Sensor
23	274484	66383	O-Ring, Bulkhead	58		CALL	Gas Manifold
24	274448	602267	Latchnut	59a	73727	600167	Orifice, Nat. Gas 0-2999 FT
25	472441	622378	Bulkhead Adapter, 2"	59b	73728	600166	Orifice, Propane 0-2999 FT
26	70901	32893	Seat, Flow Valve	60a	70230	600104	Burner
27	471738	622709	Flow Control Assy.	60b	471570	622330	Burner w/Bracket
28	472338	622308	Power Element, Flow Valve	"	73173	600222	Thermal Cut-Off
29	472363	622637	Sub-Gas Manifold	"	472908	613092	Transformer 40V
30	460762	CALL	Gas Valve, Nat. Gas (TSI Models)	"	472320	622743	Wire Harness (DOFC Cont.)
38 Burner Tray Assy.				"	472375	622731	Wire Harness (2000 Cont.)
	472366	622874	200 BTU	"	472334	CALL	Wire Harness (DOFC Cont.)
	472367	622898	230 BTU	"	470081	622264	Shalt, Thermostat
	472368	622892	300 BTU	"	470084	613092	Knob, Thermostat
	472369	622903	400 BTU	"	470828	622338	Silicone Tubing
				"	471773	CALL	Power Switch

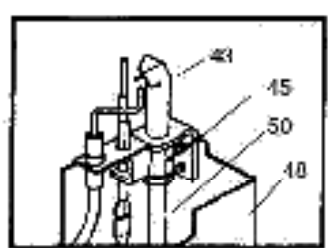


Key	Part#	Sku	Description	Key	Part#	Sku	Description
2	070894	620077	Return Header	29	073492	603028	Ball, Flange
3	074216	620089	Washer, Bracket	30	073294	604434	Flange Kit
4	073739	620138	Nut, 3/8"x2" Header	31	070044	603094	Bushing, Lens
5	070416	620137	Nut, 3/8"x1-1/2" Header	32a	071893	606715	Rubber Sleeve, 2"
6	072188	620076	Washer, 3/8"	32b	070229	MLA	O-Ring- Rubber Sleeve
7	070931	32003	Gasket, Tube	33	071807	603088	Shut Off Switch
8	471360	620061	Transformer	34	070983	603073	In/Dut Header
9	470179	620473	PC Board RD, Thermostat	35 Heat Exchangers			*Exchangers Less Headers
10a	073084	620218	Model, Nat. Gas		074432	604431	Heat Exchanger, 130"
10b	073083	620217	Model, Propane		073628	604430	Heat Exchanger, 200"
12	470184	613052	Emb, Thermostat		074431	604432	Heat Exchanger, 230"
13	470185	620127	Backer Switch		073629	604429	Heat Exchanger, 300"
17a	073938	620168	Gas Valve, RD Nat. Gas		073630	604428	Heat Exchanger, 330"
17b	073939	620122	Gas Valve, RD Propane		074074	604431	Heat Exchanger, 400"
17c	073437	620113	Gas Valve, MV Nat. Gas	41	471677	613093	Thermostat (MV Models)
17d	073438	620114	Gas Valve, MV Propane	42	470180	603076	Thermister Sensor (RD Models)
18a	073151	620113	Pilot Tube, RD 130-200	42	471740	613091	Thermister Sensor (MV Models)
18b	073152	620112	Pilot Tube, RD 200-300	44	073173	603222	Fusible Link
18c	073153	620111	Pilot Tube, RD 300-400	"	471294	600191	Pilot, RD Nat. Gas
18d	073084	6204931	Pilot Tube, MV 130-200	"	471293	600190	Pilot, RD Propane
18e	073083	6204930	Pilot Tube, MV 230-300	"	471292	603081	Pilot, MV Nat. Gas
18f	073085	6204940	Pilot Tube, MV 330-400	"	471291	603080	Pilot, MV Propane
20a	070430	620104	Burner	"	071313	603082	Pilot Generator
20b	470000	620082	Burner w/Bracket (Pilot)	"	073727	600167	Burner Orifice, Nat. Gas
21	470150	613072	Pressure Switch	"	073728	600166	Burner Orifice, Propane
23	072134	620074	Drain Valve, 3/4"	"	470983	613463	Wire Harness (RD Models)
24	073439	620424	Ignitor (for MV Models)	"	073001	604427	Wire Kit (MV Models)
25	072138	620072	Pressure Release Valve	"	470178	600070	Power Element, Flow Valve
26	471678	613071	Potentiometer (MV Models)	"	074202	603216	LED Indicator Board
27	471424	620079	Flow Control Assy.	"	070273	603203	TSTAT Potentiometer (RD Models)
28	074813	620123	Gasket, Flow Valve				

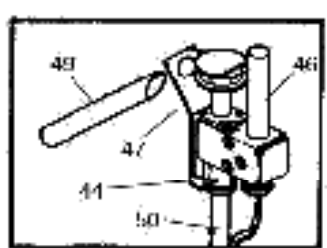
Raypak Heaters RF2100 (1996-Current)



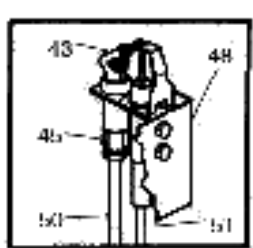
RF2100 Pilot (Rheem)



RF2100 Pilot (Rheem)



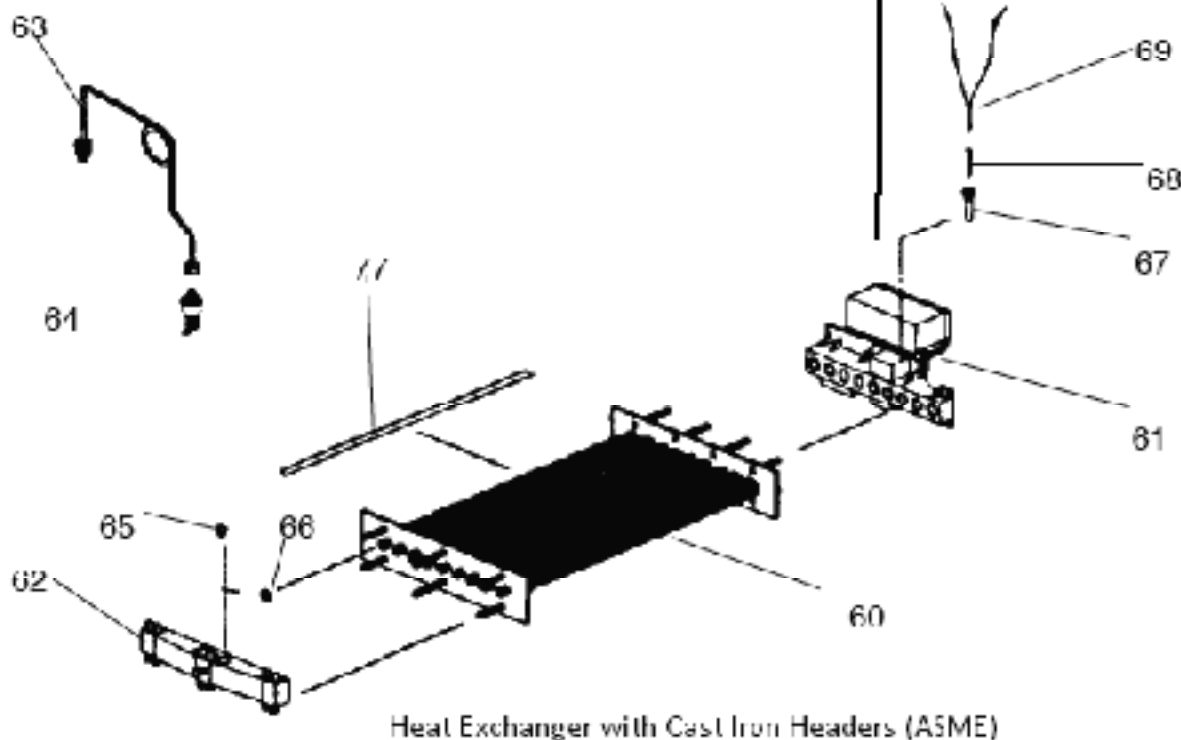
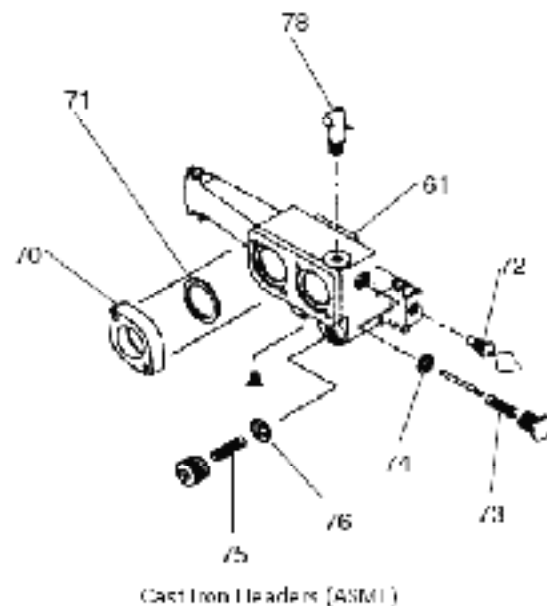
RF2100 Pilot (Honeywell)



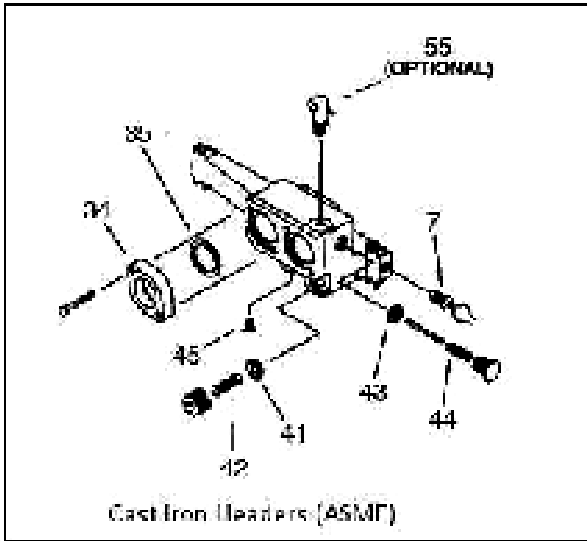
RF2100 Pilot (Honeywell)

Key	Part#	SKU	Description	Key	Part#	SKU	Description
1	Burner Tray Only		No Gas Valve	27	0048317H	12370	Ignition Control, HD Nat. Gas
	005213F	604629	R100	27	0048318H	604872	Ignition Control, HD Propane
	005214F	604629	R200	28	008872F	N/A	Oscillator- Transformer (Use 827)
	005215F	604617	R300	28	006734F	12332	Transformer
	005216F	604611	R400	29	008872F	60434E	Router Switch (MV Models)
2	30123H	604736	Burner Only	30	006737F	12334	Pressure Switch, for Plastic Heaters
3	30008H	604601	Burner Orifice, Nat. Gas	31a	008883F	604897	Kwik Thermostat
3	30008H	604734	Burner Orifice, Propane	31b	008499F	604361	Kwik Kit, Therm. (Repl# 008883)
4	005263F	604399	Burner Tray Only 120	32	005298	60432E	POKITSTAT Cover & Lock
4	005265F	604398	Burner Tray Only 260	34	307223	604338	Shield, Pilot
4	005267F	604397	Burner Tray Only 330	33	630934	600097	Thermal Fuse
4	005268F	604396	Burner Tray Only 400	36	008891F	12333	Pressure Release Valve 120
6	006723F	12312	High Limit 120TF	36	007224F	604704	Pressure Release Valve 260-400
7	010233F	12316	Circuit Board Kit	"	008871F	633721	Defining Kit
8	000827H	12350	Mechanical Thermostat, MV	"	005244F	600163	Wire Harness, MV
8	000891F	604898	Thermostat (MV Models)	"	005243F	600176	Wire Harness, HD
8	006701F	12313	Temp. Sensor, HD	37	006739F	604381	Control Panel, HD
30	008898F	12202	Gas Valve, MV Nat. Gas	"	009184F	623438	Decal Membrane, Controls
30	008899F	12201	Gas Valve, MV Propane	38	005291F	604861	Switch, Decal
30	008900F	12200	Gas Valve, HD Nat. Gas	40	300807	N/A	Oscillator- Control Panel (Use 031b)
30	004306F	604733	Gas Valve, HD Propane	42	600523H	604701	Pilot, MV Nat. Gas
11	006706F	12321	Inlet/Outlet Header, Plastic	42	600573H	604703	Pilot, MV Propane
11	008827F	633719	Inlet/Outlet Header, Complete	43	002003F	12618	Pilot, HD Nat. Gas & Propane
12	006707F	12322	Return Header, Plastic	44	008901F	604699	Pilot Orifice, MV Nat. Gas
13	006713F	12328	Gaslet, Header	44	008902F	604698	Pilot Orifice, MV Propane
34	Table Handles		for Plastic Heaters (Residential)	45	008903F	633722	Pilot Orifice, HD Nat. Gas
	006708F	12323	R100	45	004308F	604697	Pilot Orifice, HD Propane
	006709F	12324	R200	46	600019H	12613	Pilot Generator, MV
	006710F	12325	R300	47	308893	604696	Mounting Bracket, MV Pilot
	006711F	12326	R400	48	308892	604694	Mounting Bracket, HD Pilot
60	Table Handles		for Cast Iron Heaters (ASME)	49	062896	604339	Lighter Tube, MV
	006732F	604389	R100 ASME	30	004078F	623443	Pilot Tube
	006733F	604392	R200 ASME	31	002852H	600284	Hi Tension Wire, HD
	006734F	604391	R300 ASME	32	005282F	12390	Refractory (Left & Right)
	006735F	604390	R400 ASME	33	005283F	12391	Refractory (Front & Rear) 120
13	006712F	600184	Bolt, Header	33	005284F	12392	Refractory (Front & Rear) 260
36	006721F	12317	Drain Plug, Header	33	005283F	12393	Refractory (Front & Rear) 330
17A	006719F	12313	Uniflame Governor	33	005285F	12394	Refractory (Front & Rear) 400
17B	006720F	12316	Plug, Governor	34	008896	30737	Indoor Stack 120
18a	006722F	600178	Header Dam	34	008897	30738	Indoor Stack 260
18b	006714F	12329	Adapter, Valve	34	008898	623339	Indoor Stack 330
39	062233H	604709	Bypass Valve	34	008899	30750	Indoor Stack 400
20	300233	604707	Spring, Valve				
22	006714F	12329	Sensor Well, HD				
22	008870F	600183	Sensor Well, MV				
24	006723F	12319	Union 2"				
25	006724F	623421	O-Ring, Union				
26	005264F	34331	Drain Plug, Cover				

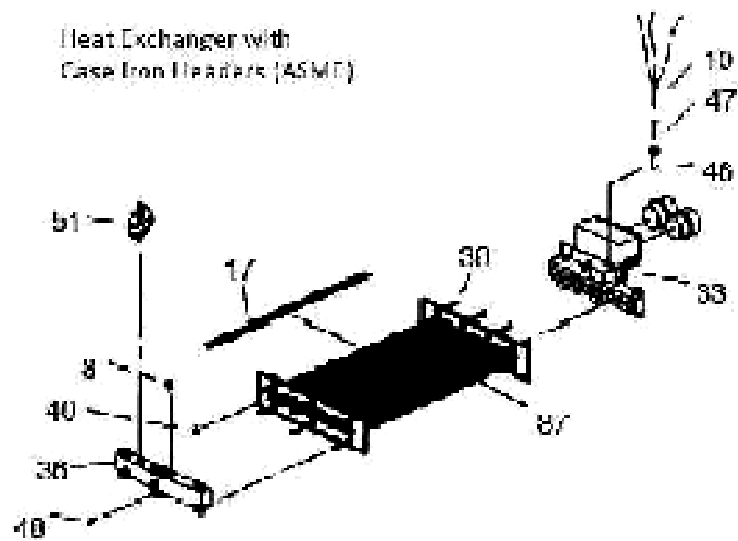
Key	Part#	Sku	Description
61	006730F	32343	Inlet/Outlet Header, Metal (ASME)
62	002430F	32323	Return Header, Metal (ASME)
63	000202F	604486	Tube, Pressure Switch
64	002237B	32324	Pressure Switch (Metal Heaters)
65	600203B	32348	High Limit 140°F (Black)
66	800014B	32137	Gasket, Header
67	000703F	604703	Sensor Well
68	300203	600133	Clip, Sensor Well
69	000701F	32313	Temp. Sensor, RD (2-Wire)
70	604976	Inlet/Outlet Flange	
71	002200B	32133	Gasket, Flange 1-1/2"
71	800000B	32136	Gasket, Flange 2"
72	600203B	32347	High Limit 130°F (Red)
73	800202	604708	Spring, Bypass Valve 300
73	800203	604707	Spring, Bypass Valve 400
74	002200B	604709	Bypass Valve
75	800204	604710	Spring, Governor
76	002200B	32320	Unitherm Governor
77	000200F	604370	Baffles (Bolt) B1231A
77	000201F	604368	Baffles (Bolt) B2531A
77	000202F	604367	Baffles (Bolt) B3331A
77	000203F	604366	Baffles (Bolt) B4231A
78	000201F	32303	Air Release Valve (Optional) 300
78	007200F	604704	Air Release Valve (Optional) 250-400



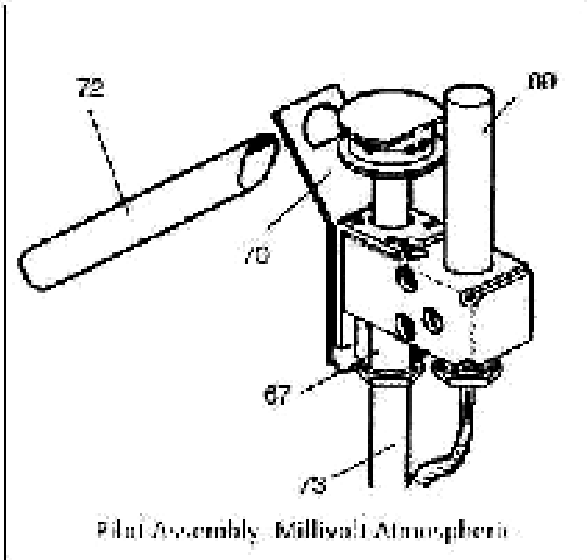
Key	Part#	SKU	Description	Key	Part#	SKU	Description
2in Burner Tray with Burners					010896F	623606	Cupro-Nickel R206A
	010891F	623371	R206A		010897F	623609	Cupro-Nickel R406A
	010892F	623377	R266A	1 1/2in Tube Manifold: Only for Metal Heaters (ASME)			
	010893F	623393	R366A		010899F	623054	Copper R206A
	010894F	623388	R406A		006733F	604092	Copper R206A
2in Burner Tray Only					010897F	623057	Copper R366A
	010421F	623348	R206A		010899F	623059	Copper R406A
	010422F	623352	R266A		010899F	623056	Cupro-Nickel R206A
	010423F	623361	R366A		010899F	623602	Cupro-Nickel R266A
	010424F	623368	R406A		010870F	623604	Cupro-Nickel R366A
2 Burner Heat Exchanger Kit					010871F	623608	Cupro-Nickel R406A
	010413F	623443	R206A	17a	010899F	623474	Baffle Kit (Spig) R206A
	010416F	623460	R266A	17b	003261F	604068	Baffle Kit (Spig) R266A
	010417F	623483	R366A	17c	010899F	623011	Baffle Kit (Spig) R366A
	010418F	623490	R406A	17d	010891F	623016	Baffle Kit (Spig) R406A
3	301238	604736	Burner (Single)	18	006298F	623416	Nut, Flange
4	300078F	623482	Burner Orifice, Nat. Gas Sea Level	19	006713F	32328	O-Ring, Flange
4	300083F	604734	Burner Orifice, Propane Sea Level	34	003766F	604076	Flange, Inlet/Outlet
7	6008920	32347	High Limit 130°F	30a	002296B	32133	Gasket, 1-1/2" Flange
8	6008930	32348	High Limit 140°F	30b	000890B	32136	Gasket, 2" Flange
9	010293F	32316	PC Board	35	007870F	623433	Roll Kit, Heat Exchanger
10a	000346F	604063	Thermostat Control	40	000014B	32137	Gasket, Header
10b	000377F	623478	Temp. Sensor (RD Models)	41	002234B	32520	Uniflow Governor
12a	000898F	32202	Gas Valve, MV Nat. Gas	42	000204	604710	Retainer Spring, Governor
12b	000899F	32201	Gas Valve, MV Propane	43	002231B	604709	Bypass Valve
12c	000900F	32200	Gas Valve, RD Nat. Gas	44a	000212	604708	Spring, Valve R206A
12d	004306F	604733	Gas Valve, RD Propane	44b	000213	604707	Spring, Valve R266A-R406A
2in Heat Exchanger with Plastic Heaters (Res.)				46	003763F	604705	Well, Sensor
	010043F	623611	Copper R206A	47	300088	602135	Retaining Clip, Sensor Well
	010044F	623612	Copper R266A	48a	003264F	34001	Drain Plug
	010043F	623614	Copper R366A	48b	006721F	32337	Drain Valve, 1/4"
	010044F	623617	Copper R406A	48	006736F	32302	Transformer 24V
	010834F	623620	Cupro-Nickel R206A	51a	006737F	32304	Pressure Switch 1.75 PSI
	010837F	623623	Cupro-Nickel R266A	51b	006133F	623473	Pressure Switch 11 PSI
	010838F	623627	Cupro-Nickel R366A	30	005483F	623418	Blocker Switch
	010839F	623630	Cupro-Nickel R406A	52	000899F	60087	Thermal Fuse
2in Heat Exchanger with Metal Heaters (ASME)				53	000811F	32303	Pressure Release Valve, 12.5 PSI
	010031F	623613	Copper R206A	*	010896F	623488	Wire Harness, MV
	006727F	32342	Copper R266A	*	005480F	623024	Wire Harness, RD
	010033F	623621	Copper R366A	55	005480F	623489	Control Panel, MV
	010034F	623622	Copper R406A	60	000899F	623411	Decal
	010860F	623619	Cupro-Nickel R206A	61	005481F	623029	Control Panel
	010861F	623624	Cupro-Nickel R266A	62	005482F	623436	Decal, Switch
	010862F	623626	Cupro-Nickel R366A	63	005483F	623424	Cover, Head
	010863F	623629	Cupro-Nickel R406A	64	010899F	623423	Gasket, Top
14a	006706F	32321	In/Out Headers, Plastic	76	010899F	623037	Refractory (Left & Right)
14b	006738F	32343	In/Out Headers, Metal (ASME)	77		CALL	Refractory
15a	006707F	32322	Return Header, Plastic	78		CALL	Retainer, Refractory
15b	006731F	623323	Header, Cast Iron (ASME)	80	5000	623457	POURSTAT Cover & Lock
2in Tube Manifold: Only for Plastic Heaters (Res.)				81a	010821F	623449	Control Panel R206A
	010059F	623386	Copper R206A	81b	010822F	623444	Control Panel R266A
	010060F	623389	Copper R266A	81c	010823F	623432	Control Panel R366A
	010061F	623390	Copper R366A	81d	010824F	623434	Control Panel R406A
	010062F	623393	Copper R406A	82a		CALL	Indoor Stack
	010864F	623398	Cupro-Nickel R206A	82b		CALL	Outdoor Stack
	010865F	623628	Cupro-Nickel R266A	83	010842F	623427	Shield, High Limit



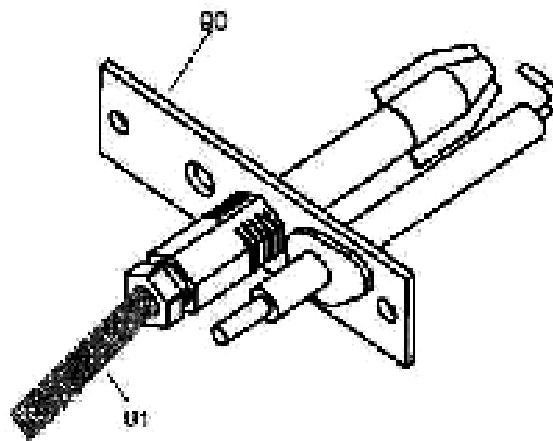
Cast Iron Headers (ASMF)



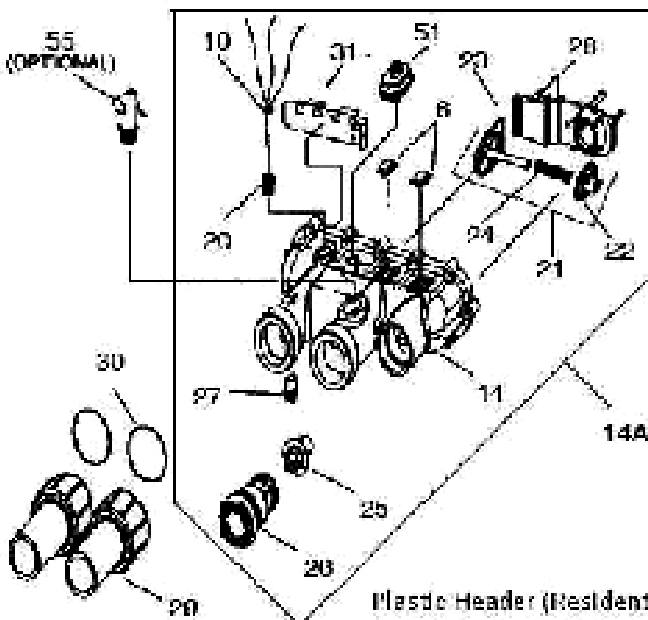
Heat Exchanger with
 Cast Iron Headers (ASMF)



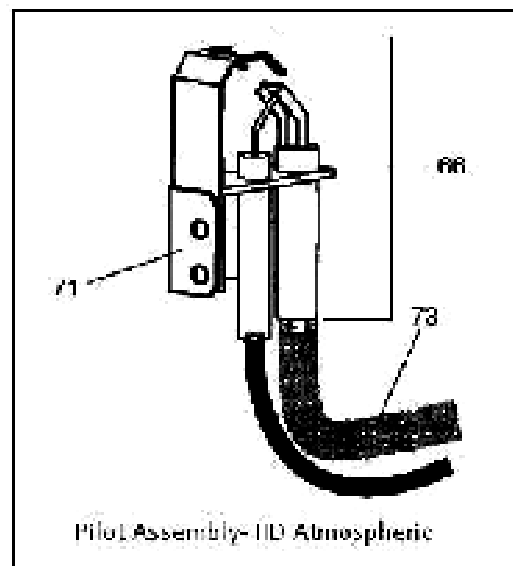
Pilot Assembly Millival Atmospheric



Pilot Assembly ID Lo NOx



Plastic Header (Residential)



Pilot Assembly ID Atmospheric

Key	Part#	Sku	Description	Key	Part#	Sku	Description
2in Burner Tray with Burners				12a	006707F	32022	Return Header, Plastic
	R010B43F	623373	R207A	12b	006731F	620003	Return Header, Dist Iron (ASME)
	R010B44F	623379	R267A	1.5in Valve: Braided Bar Plastic Headers			
	R010B43F	623387	R337A		010000F	620006	Copper R207A
	R010B46F	623392	R407A		010000F	620008	Copper R227A
2in Burner Tray Only					010001F	620009	Copper R337A
	R010B4F	623309	R207A		010002F	620003	Copper R407A
	R010B20F	623362	R267A		010004F	620008	Cupra-Nickel R207A
	R010B20F	623374	R337A		010005F	620009	Cupra-Nickel R227A
	R010B27F	623388	R407A		010006F	620006	Cupra-Nickel R337A
2 Burner Heat Exchanger Kit					010007F	620009	Cupra-Nickel R407A
	R010234F	623409	R207A	17a	010008F	620474	Ballie Kit (Npt) R207A
	R010232F	623388	R267A	17b	010001F	620438	Ballie Kit (Npt) R267A
	R010236F	623387	R337A	17c	010008F	620011	Ballie Kit (Npt) R337A
	R010237F	623322	R407A	17d	010001F	620016	Ballie Kit (Npt) R407A
3	310732	623461	Single Burner	18	006200F	620416	Mat, Flange
4	311318	623404	Burner Orifice, Mat. Gas, Sea Level	19	006713F	32028	O-Ring, Flange
5	R010B71F	623403	Coating Fan	20	006704F	620417	Relay
6	R010042F	623368	Blower	34	006700F	620476	Flange, Inlet/Outlet
7 Combustion Air Plate				30a	067200B	32033	Gasket, 1-1/2" Flange
	R010B30F	623412	R207A	30b	000000B	32036	Gasket, 2" Flange
	R010B30F	623413	R267A	39	007870F	620433	Ball Kit, Heat Exchanger
	R010B40F	623414	R337A	40	000014B	32037	Gasket, Header
	R010B41F	623413	R407A	41	067204B	32028	Unitform Governor
8	R010B40F	623428	Sample Tube, Blower Switch	42	000004	620478	Reiniser Spring, Governor
9	R010232F	323316	PC Board	43	067200B	620479	Bypass Valve
2in Burner Pressure Switch				44a	000002	620478	Spring, Valve R206A
	R000620F	623741	R207A	44b	020003	620477	Spring, Valve R206A-R406A
	R000130F	623472	R267A	46	000700F	620470	Weld, Sensor
	R010B34F	623468	R337A	47	300003	620033	Retaining Clip, Sensor Well
	R010B32F	623469	R407A	48a	000004F	34001	Drain Plug
11	R010B29F	623309	Gas Valve, HD Mat. Gas	48b	006721F	32037	Drain Valve, 1/4"
2in Heat Exchanger with Plastic Headers (Res.)				49	006730F	32032	Transformer 24V
	R010043F	623611	Copper R207A	52	000000F	620462	Thermal Fuse
	R010044F	623612	Copper R227A	"	010007F	620003	Wire Harness, HD
	R010043F	623614	Copper R337A	60	000400F	620418	Rackler Switch
	R010046F	623617	Copper R407A	61	000401F	620008	Control Board
	R010B36F	623628	Cupra-Nickel R207A	62	000402F	620436	Decal, Switch
	R010B37F	623623	Cupra-Nickel R227A	63	000407F	620424	Cover, Board
	R010B38F	623627	Cupra-Nickel R337A	64	010000F	620423	Gasket
	R010B39F	623638	Cupra-Nickel R407A	76	010079F	620008	Refractory (Left & Right)
14a	R000227F	323321	Complete Header w/Gasket	77		0001	Refractory
2in Heat Exchanger with Metal Headers (ASME)				78		0001	Refractory
	R010001F	623613	Copper R206A	80	90001	620487	PODLESTAT Cover & Lock
	R006727F	32342	Copper R206A	81a	010021F	620448	Control Panel R207A
	R010003F	623621	Copper R306A	81b	010022F	620444	Control Panel R267A
	R010004F	623622	Copper R406A	81c	010023F	620432	Control Panel R337A
	R010B60F	623619	Cupra-Nickel R206A	81d	010024F	620434	Control Panel R407A
	R010B61F	623624	Cupra-Nickel R266A	82a		0001	Inlet Stack
	R010B62F	623626	Cupra-Nickel R366A	82b		0001	Outlet Stack
	R010B63F	623629	Cupra-Nickel R406A	83	010002F	620427	Shield, High Limit
14b	R006706F	323321	Inlet/Outlet Header, Plastic	90	0100230F	620014	Pilot, HD Mat. Gas
14c	R006730F	32343	In/Out Headers, Metal (ASME)	91	000070F	620443	Pilot Tube

Key	Part#	SKU	Description	Key	Part#	SKU	Description
1	FDDLKCT1-	CALL	Top Jacket	30	FDDLWPS1930	E17413	Water Pressure Switch
2	FDDLTPC1-	CALL	Flue Cover	31	HD0208H1930	E14824	Display Board Only
3	FDDLFA01-	CALL	Front Door	32	FDDLKCP1930	E17436	Bezel & Keypad Assy.
4	FDDLBA01-	CALL	Rear Door	33	FDDLHL1930	E17438	High Limit X33F
5	FDDLTFP1-	CALL	Top Front Panel	34	FDDLTEB1930	E17439	Thermobar
6	FDDLUEC1930	CALL	Upper End Cap	35	FDDLKSE1932	E17420	Gasket, Bezel (Top)
7	FDDLUEC1930	CALL	Lower End Cap	36	FDDLKSE1934	E17421	Gasket, CC Front/Air Box
8	FDDLJTP1930	CALL	Left Trim Panel Kit	37a	FDDLH001230	E17424	Heat Exchanger, H200 ASME
9	FDDLJTP1930	CALL	Right Trim Panel Kit	37b	FDDLH001400	E17427	Heat Exchanger, H400 ASME
10a	FDDLJNB1930	CALL	Junction Box, Left Side	47	FDDLDRV1930	CALL	Drain Valve (ASME)
10b	FDDLJNB1930	CALL	Junction Box, Right Side	48	LD08L1930	SD4127	Pressure Release Valve
10c	FDDLJNC1930	CALL	Cover, Left Junction Box	FDDLBRM1930	E17433	Burner	
10d	FDDLJNC1930	CALL	Cover, Right Junction Box	FDDLPSK1930	E17437	Free Service Kit	
11	FDDLPL1930	CALL	Base Leg	FDXLGSK1930	617438	Gasket Kit, Includes: -Gasket, Mounting Bracket -Gasket, Front Air Box Cover -Gasket, Manifold	
12	FDDLPCS1930	CALL	Side Panel, Flue Collector	FDXLGSK1931	617439	Gasket Kit, Includes: -Gasket, Flue Collector -Gasket, Rain Guard -Gasket, Bottom Side -Gasket, Top Flue Collector -Gasket, Front & Back Rain Guard -Gasket, Bottom Front & Back	
13	FDDLREG1-	CALL	Rain Guard	FDDLKSE1933	CALL	Insulation, Bezel Side Tube Sheet	
14	FDDLHBP1-	CALL	Heat Barrier Panel	FDDLWHA1930	E17440	Wiring Harness Kit	
15a	FDDLBN01230	617440	Inlet Baffle, H200 Blower	LD00NEAV1230	E17432	Indoor Vent Adapter Kit H200	
15b	FDDLBN01400	617441	Inlet Baffle, H400 Blower	LD00NEAV1400	E17433	Indoor Vent Adapter Kit H400	
16	FDDLJAC1930	CALL	Access Cover, Igniter	LD0PCIS-H21230	CALL	Indoor Vent Adapter Kit H200	
18a	FDDLGSV0001	617400	Gas Valve, Nat. Gas	LD0PCIS-H21400	CALL	Indoor Vent Adapter Kit H400	
18b	FDDLGSV0002	617401	Gas Valve, Propane				
20a	FDDLMDN0530	617402	Burner Orifice Kit, Nat. Gas				
20b	FDDLMDP1930	617403	Burner Orifice Kit, Propane				
21a	FDDLMAN1230	617405	Gas Manifold, H200				
21b	FDDLMAN1400	617406	Gas Manifold, H400				
23	FDDLHWR1930	617409	Combustion Blower				
24	FDDLHVS1930	617411	Switch, Blower				
25	FDDLICB1930	617412	Integrated Control Board				
26	FDDLWMP1930	617413	Field Wiring Panel				
27	FDDLIGM1930	617414	Igniter				
28	LD0FLS1930	32816	Flame Sensor				
29	LD0ZTRF193	614804	Transformer				

Key	Part#	Sku	Description	Key	Part#	Sku	Description
1a	WE06600	624626	Heat Exchanger, 230	44a	WE07000	614834	Igniter
1b	WE06600	624664	Heat Exchanger, 400	44b	WE06900	624818	Igniter, LO MED
2a	WE06600	624694	Take Assy., 230	45	WE029400	614830	Limit Switch, Exhaust
2b	WE06600	624694	Take Assy., 400	51a	WE06200	624807	Wire Harness, 120V Plug
3a	WE04400	624415	Roller (18pk), 230	51b	WE06300	624808	Wire Harness, 240V Plug
3b	WE04400	624434	Roller (18pk), 400	52	WE06400	624837	Wire Harness, 1.5-Pin
4	WE06600	624621	Front Header	53	WE07800	624829	Terminal Block
5	WE07600	624622	Rear Header	54a	WE02900	614836	Temp. Control & Board
6	WE07100	624623	By-Pass Assy.	54b	WE02000	614837	Temp. Control w/ Dual Controls
7	WE06700	624624	Gasket, By-Pass	55	WE04800	614838	Flame Sensor
8	WE07200	624625	Spring, By-Pass	55a	WE07000	624828	Flame Sensor, LO MED
9	WE07300	617878	Union Kit	56	WE02200	52152	Fusible Link
10	WE07600	624377	O-ring, Union	57	WE03000	624479	Cover, Temp. Control
11	WE06900	624627	Drain Plug w/ Gasket	58	WE07200	N/A	Bracket-Bracket
12a	WE07300	624628	Gasket, Header	59	WE06200	624417	Pressure Release Valve
12b	WE07600	624389	Hardware Kit & Gaskets	60	WE07300	624344	Circuit Board, Power Dist.
14a	WE07700	624393	Runner Tray, 230	61 Runner Trays (LO MED)			
14b	WE07700	624322	Runner Tray, 400		WE06200	624624	Mat. Gas 230 Low AIR
15	WE02300	52040	Main Burner		WE06200	624631	Mat. Gas 400 Low AIR
16a	WE07800	624321	Gas Manifold, 230		WE04700	624625	Mat. Gas 230
16b	WE07800	624324	Gas Manifold, 400		WE04700	624632	Mat. Gas 400
17a	WE07900	624461	Orifice, Mat. Gas (0-3K FT)		WE04800	624627	Mat. Gas 230 High AIR
17b	WE02100	624462	Orifice, Mat. Gas (3K-5K FT)		WE04800	624633	Mat. Gas 400 High AIR
17c	WE02200	624463	Orifice, Propane (0-3K FT)		WE04300	624621	Propane 230 Low AIR
17d	WE02300	624465	Orifice, Propane (3K-30K FT)		WE04300	624634	Propane 400 Low AIR
18	WE01800	624401	Bracket, Anti-Rotation		WE04600	624626	Propane 230 High AIR
19a	WE06500	624629	Gas Valve, Mat. Gas		WE04600	624635	Propane 400 High AIR
19b	WE06500	624629	Gas Valve, Propane	62	WE06400	624477	Burner Duty (No Orifice)
20a	WE01700	624408	Flue Collector, 230	63 Manifold (LO MED)			
20b	WE01700	624407	Flue Collector, 400		WE03000	624061	Mat. Gas 230 Low AIR
21	WE02000	624600	Blower Assy.		WE03000	624074	Mat. Gas 400 Low AIR
22	WE02000	624381	Gasket, Blower		WE04300	624061	Mat. Gas 230
27	WE06100	52080	Transformer 1.5-220V/24V		WE04300	624737	Mat. Gas 400
28	WE06800	624390	Wire Harness		WE04400	624062	Mat. Gas 230 High AIR
29	WE02000	624311	Pressure Switch, Blower		WE04400	624076	Mat. Gas 400 High AIR
30	WE01100	52681	Temperature Sensor		WE04300	624063	Propane 230 Low AIR
31	ED116400	624388	Gasket, Thermistor		WE04300	624077	Propane 400 Low AIR
32	19444900	624872	Protector Sleeve		WE04200	624064	Propane 230 High AIR
33	19447300	624828	Retainer, Sensor		WE04200	624078	Propane 400 High AIR
34	FO009100	629078	Screw, Retainer	64a	WE06600	624068	Gas Valve, Mat. Gas LO MED
35a	WE060100	624860	Ignition Control (Repl# WE022800)	64b	WE06900	614829	Gas Valve, Propane LO MED
35b	WE06600	624387	Ignition Control, LO MED	Wire Harness (Mat. Shown)			
37	WE013200	624399	Pressure Switch, 2 PSI		WE02900	624803	Wire Harness, Complete (Pre-2004)
38	WE04600	624493	Siphon Loop		WE07600	624046	Wire Harness, Complete (2004-)
40	WE022700	52900	High Limit Switch, 130°F		WE03000	624800	Wire Harness, Transformer
41	WE02300	52902	High Limit Switch 130°F		WE03000	624806	Wire Harness, Ignition Control
42	WE04700	624427	Wire Harness, High Limit		WE01300	624804	Wire Harness, Gas Valve
43	WE06300	624371	Retainer Plate (2-pk)		WE01200	624429	Wire Harness, Safety Loop

